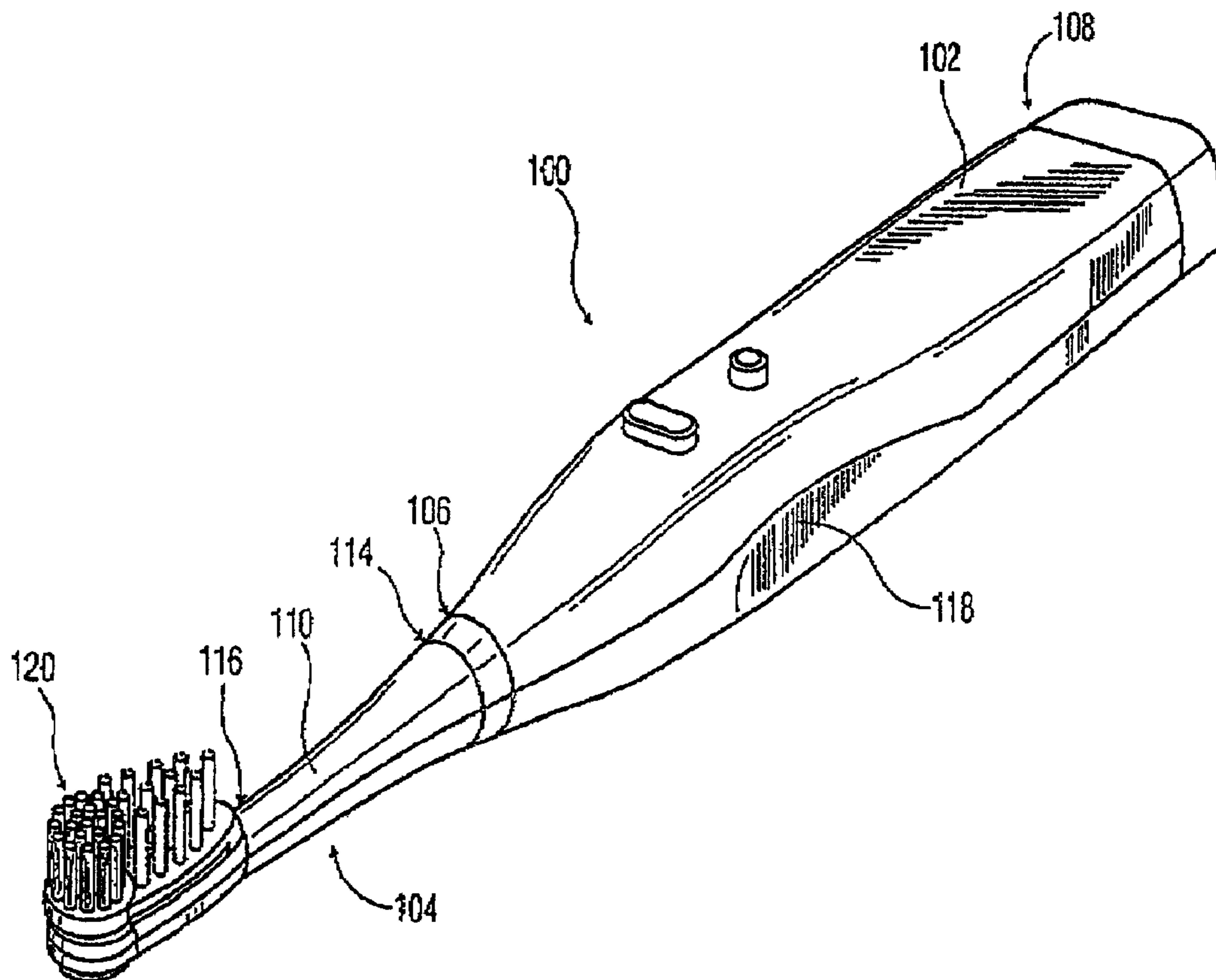




(22) Date de dépôt/Filing Date: 2003/04/22
 (41) Mise à la disp. pub./Open to Public Insp.: 2003/11/06
 (45) Date de délivrance/Issue Date: 2013/12/10
 (62) Demande originale/Original Application: 2 483 098
 (30) Priorité/Priority: 2002/04/23 (US10/128,617)

(51) Cl.Int./Int.Cl. *A61C 17/22* (2006.01),
A61C 17/34 (2006.01)
 (72) Inventeurs/Inventors:
ELIAV, EYAL, US;
GATZEMEYER, JOHN J., US
 (73) Propriétaire/Owner:
COLGATE-PALMOLIVE COMPANY, US
 (74) Agent: SMART & BIGGAR

(54) Titre : BROSSE A DENTS MOTORISEE
 (54) Title: POWERED TOOTHBRUSH



(57) **Abrégé/Abstract:**

A powered toothbrush include a head containing a rotating or oscillating first bristle carrier and also containing a second bristle carrier movably connected to said head, which second bristle carrier may include elastomeric walls for enhanced cleaning and may include a weakened section to permit it to at least partially collapse during a brushing motion to couter to the teeth in use for enhanced cleaning.



Abstract

A powered toothbrush include a head containing a rotating or oscillating first bristle carrier and also containing a second bristle carrier movably connected to said head, which second bristle carrier may include elastomeric walls for enhanced cleaning and may include a weakened section to permit it to at least partially collapse during a brushing motion to couture to the teeth in use for enhanced cleaning.

62301-2435E

POWERED TOOTHBRUSH

This is a divisional of Canadian patent application serial No. 2,483,098.

5 BACKGROUND OF THE INVENTION

Field of the Invention

The present invention relates to powered toothbrushes, and more
10 particularly, to a toothbrush having a head with two distinct sections that each
provides cleaning and/or massaging oral health benefits to the soft and hard tissues of
the mouth.

Discussion of Related Art

15 Toothbrushes provide many oral hygiene benefits, including for example,
toothbrushes remove plaque and food debris to help avoid tooth decay and disease.
They remove stained pellicle from the surface of each tooth to help whiten the teeth.
Also, the bristles combined with the brushing motion massage the gingival tissue for
20 stimulation and increased health of the tissue.

Powered toothbrushes have been available for some time. Powered toothbrushes
have advantages over manual (non-powered) toothbrushes in that they impart
movement to the bristles at much higher speeds than possible manually. They also
25 may impart different types and directions of motion. These motions, in combination
with manual movement of the toothbrush by the user, generally provides superior
cleaning than manual toothbrushes. Typically, powered toothbrushes are powered by

62301-2435E

disposable or rechargeable batteries that power an electric motor that in turn drives the toothbrush head.

Known powered toothbrushes include a brush head with a bristle carrier portion
5 that rotates, oscillates or vibrates in some manner so as to clean the teeth. The
bristles, which typically comprise bristle tufts, are generally uniform with one end
fixed into the bristle carrier portion and the other end free to contact the surface of the
teeth while brushing. The free ends of the various tufts present a surface envelope
10 that is capable of some deformation when the bristles bend. When in contact with the
surface to be brushed, the bristles may deform so that the surface envelope tends to
conform to the complex surface of the teeth. Human teeth generally lie in a "C"
shaped curve within the upper and lower jaw, and each row of teeth consequently has
a convex outer curve and a concave inner curve. Individual teeth often have
15 extremely complex surfaces, with areas that may be flat, concave, or convex. The
more precise conformation between the bristles and the tooth surface, the more
effective the toothbrush may be in cleaning, whitening and/or stimulating.

Known powered toothbrushes typically arrange the bristles in a compact conical
or cylindrical pattern on a generally circular, disk-shaped bristle carrier. The powered
20 toothbrush heads are traditionally compact, generally circular face from which a flat
trimmed bristle pattern extends. Alternatively, other head shapes and bristle patterns
are available.

One example of a powered toothbrush is depicted in U.S. Patent 5,625,916 to
McDougall. The toothbrush
25 shown in McDougall has a disc-shaped bristle carrier. The bristle carrier, and thus the

WO 03/090639

PCT/US03/12558

bristles, are driven in a vibrating or oscillating manner. This type of toothbrush is described herein with reference to Figures 1A-1C. A toothbrush 5 includes a handle portion 10 at a proximal end of the toothbrush 5 and a head 11 at a distal end of the toothbrush 5. The handle portion 10 has compartments for containing a powered motor 14 and batteries 15 and 16. The head 11 includes a generally circular bristle holder (carrier) 13. A rotatable shaft 12 extends from the motor 14 to the head 11. A shaft coupling 17 may be located along the shaft 12 and configured to provide for the shaft 12 to be separated at a point between the motor 14 and the head 11. This permits the head 11 to be removed from the toothbrush 5, e.g., for cleaning, servicing, or replacement.

The head 11 includes a post 18 that provides a rotational pivot axis for the bristle holder 13 containing bristle tufts 19. The distal end of the shaft 12 has a journal or offset 20 that is radially displaced from the longitudinal axis of the shaft 12, which may be integrally formed therewith. The bristle holder 13 has a slot 22 that receives the offset 20. The offset 20 and slot 22 are configured so as to be oriented toward the intersection of the shaft 12 axis and the longitudinal axis of the post 18. When the motor 14 rotates the shaft 12, the motion of the offset 20 defines a circle about the shaft 12 axis and drivingly engages the slot 22 such that the bristle holder 13 vibrates or oscillates about the post 18 axis through a rotational angle A. The rotational angle A is defined by the displacement of the offset 20 from the shaft 12 axis relative to the diameter of the bristle holder 13.

Although powered toothbrushes such as those described immediately above provide advantages over manual toothbrushes, they are subject to various limitations.

WO 03/090639

PCT/US03/12558

Providing a rotating or oscillating bristle holder (carrier) with a typical circular, oblong or oval toothbrush head constrains the size of the moving bristle holder, and consequently the area of bristles available for teeth cleaning. Also, when the bristles are placed in contact with the teeth during brushing, there is less bristle contact with adjacent areas, such as the gums. Thus, while these compact bristle patterns provide for cleaning, there is minimal whitening and stimulation.

One attempt to overcome the limitations associated with a small powered bristle area is shown in U.S. Patent No. 6,000,083 to Blaustein et al. The toothbrush in Blaustein et al. has a bristle area and pattern similar to a manual toothbrush, but an area of the bristles has simply been replaced by a powered bristle section. The result is that the head has a powered or moving bristle section and static bristle section. The limitation of Blaustein et al. is that the static bristle section provides no better cleaning, whitening or stimulation than a manual toothbrush.

15

International Application No. PCT/EP01/07615 of Braun GmbH discloses a powered toothbrush with two separate bristle parts that can move. Each bristle part can have a different range and/or type of motion. However, only one bristle part is powered. The other unpowered bristle part moves due to a resonance effect imparted by the frequency of the movement of the first bristle part. This free resonance causes a number of difficulties. First, because any contact between the bristle parts will dampen or cancel any resonance of the unpowered bristle part, the unpowered bristle part "floats" separately from the powered bristle part. This necessitates separation or gaps between them. These gaps expose the internal workings of the head to foreign matter such as water, saliva, toothpaste, and food particles. This foreign matter may

20
25

WO 03/090639

PCT/US03/12558

interfere with the workings of the unpowered bristle head. For example, the unpowered bristle part is spring-loaded to assist its resonance. Foreign matter may accumulate on or around the spring, interfering with its function. In addition, food particles may remain in the head and may fester and host microorganisms, which are

5 undesirable if not potentially harmful when introduced directly into the mouth. Another limitation of such a design is that movement of the unpowered bristle part may be damped by contact with the teeth, or lessened when the frequency of the powered part shifts from the resonance frequency. This can occur due to pressure imparted against the powered bristle part by the teeth or gums during brushing.

10 Finally, the energy imparted to the unpowered bristle part is only a portion of the energy input into the powered part. Therefore, the unpowered bristle part is less effective in cleaning than the powered part, limiting the overall effectiveness of the toothbrush.

15 Thus, there is a need in the art for a powered toothbrush with increased effectiveness through a larger area of powered or driven bristles or bristles that are otherwise movable. There is also a need for a toothbrush having increased whitening and/or stimulation than known toothbrushes. There is further a need for such improved toothbrushes to be comparable in manufacturing and purchasing costs as

20 known powered toothbrushes.

25

WO 03/090639

PCT/US03/12558

SUMMARY OF THE INVENTION

A powered toothbrush is provided and includes a handle portion at a proximal end and a head at a distal end with a neck being formed between the handle portion and the head. According to one embodiment, the head has two distinct movable parts that provide cleaning and/or massaging oral health benefits since each is adapted to have a number of bristles or elastomeric cleaning members extending therefrom to contact surfaces of the teeth and surrounding areas. The toothbrush has a drive mechanism that imparts movement to the first movable part to deliver a cleaning, polishing, whitening action that supplements the cleaning efficiency of a typical powered toothbrush.

In one embodiment, the first movable head part is a first bristle carrier that supports at least one set of bristle tufts. The first bristle carrier is operatively mounted to the head and is coupled to the drive mechanism such that the first bristle carrier rotates and/or oscillates back and forth in a direction parallel to the toothbrush head. Preferably, the first bristle carrier oscillates back and forth in a rotational direction. The second movable part is in the form of a second bristle carrier that includes a platform (formed of a rigid and/or elastomeric material) that is operatively mounted to the head and includes upstanding elastomeric walls formed at first and second sides of the platform. The second bristle carrier also preferably includes at least one set of bristles disposed between the upstanding elastomeric walls. During a brushing motion, the bristles and elastomeric walls flex as they encounter the teeth and gingival tissue to provide the oral care benefits that are disclosed herein.

25

62301-2435E

In another exemplary embodiment, the platform has a weakened section formed therein in a direction that is parallel to a longitudinal axis of the head such that upon application of a force to the second bristle carrier, the platform at least partially collapses along the weakened section. This results in movement (e.g.,
5 inward flexing) of the elastomeric walls and the at least one set of bristles to provide oral care benefits.

In yet another embodiment, the second bristle carrier has an "I-beam" construction in that it includes a platform extending across the head and a web that connects the platform to the head. The platform includes at least one set of bristles
10 extending upwardly therefrom. According to one configuration, at least the web is formed of an elastomeric material to permit the platform and at least one set of bristles formed as a part thereof to flex and move during a brushing motion. It will also be appreciated that the platform can also be formed of an elastomeric material and/or a rigid material used in combination with a web that is formed of a rigid
15 material and/or an elastomeric material. The platform can also include elastomeric side walls that flex during the brushing motion.

In accordance with another embodiment, there is provided a powered toothbrush comprising: a handle portion having a neck formed at one end; and a head coupled to the neck, the head having an outer surface and further including: a
20 first bristle carrier coupled to the head and operatively connected to a first drive feature for rotationally or oscillatingly moving the first bristle carrier, the first bristle carrier having at least one set of bristles extending outwardly therefrom; and a second bristle carrier coupled to the head, the second bristle carrier having at least one set of bristles extending outwardly from an upper surface thereof, the second
25 bristle carrier comprising: a platform extending across the head, an upper surface of the platform supporting the at least one set of bristles; and a web attached to and extending between the platform and the head, wherein at least one of the platform and the web are formed of an elastomeric material so that the platform can flex and bend about the web.

62301-2435E

In accordance with another embodiment, there is provided a powered toothbrush comprising: a handle portion having a neck formed at one end and a drive: a head coupled to the neck, the head including (i) a base (ii) at least one bristle portion extending outward, (iii) a pivotal movable part; and (iv) a rotatable movable part including the bristle
5 portion, the rotatable movable part being coupled to the drive for movement and rotatable movable part being movable about a vertical axis extending upwardly from the base; the pivotal movable part being resiliently mounted for movement relative to the base about an axis extending generally parallel with respect to the base, the pivotal movable part including
10 (i) a platform having an upper face, and (ii) at least one elastomeric member upstanding on the upper face, and the platform including an elastomeric web extending downwardly and along the axis for said movement, the bristle portion and elastomeric member being adapted to contact teeth and gums.

In accordance with another embodiment, there is provided a powered toothbrush comprising: a handle portion having a neck formed at one end and a drive
15 mechanism; a head coupled to the neck, the head including (i) a base and (ii) a movable part; the base having a longitudinal axis and an upper surface to which the movable part is attached; and the movable part being mounted for freeform pivotal movement about an axis generally parallel to the longitudinal axis of the base and including (i) a platform having a
20 second upper face, (ii) at least one cleaning element extending outward from the second upper face, and (iii) an elastomeric tongue extending in a direction opposite to the cleaning element for receipt in an opening in the base, the elastomeric tongue including portions that extend laterally beyond the opening.

In accordance with another embodiment, there is provided a powered toothbrush comprising: a handle portion having a neck formed at one end; a head coupled to
25 the neck, the head having an outer surface and further including: a first bristle carrier coupled to the head and operatively connected to a drive feature for rotationally or oscillatingly moving the first bristle carrier, the first bristle carrier having at least one set of bristles extending outwardly therefrom; and a second bristle carrier coupled to the head, the second bristle carrier including a platform having an upper surface, an elastomeric wall extending

62301-2435E

along an edge of the platform and outwardly from the upper surface of the platform, and at least one set of bristles extending outwardly from the upper surface of the platform.

In accordance with another embodiment, there is provided a powered toothbrush comprising: a handle portion having a neck formed at one end; a head coupled to
5 the neck, the head having an outer surface and further including: a first bristle carrier coupled to the head and operatively connected to a drive feature for rotationally or oscillatingly moving the first bristle carrier, the first bristle carrier having at least one set of bristles extending outwardly therefrom; and a second bristle carrier coupled to the head, the second
10 bristle carrier including a platform having an upper surface, an elastomeric wall extending across a width of the platform and outwardly from the upper surface of the platform, and at least one set of bristles extending outwardly from the upper surface of the platform.

Other features and advantages of the present invention will be apparent from the foregoing detailed description when read in conjunction with the accompanying drawings.

WO 03/090639

PCT/US03/12558

BRIEF DESCRIPTION OF THE DRAWING FIGURES

The foregoing and other features of the present invention will be more readily apparent from the following detailed description and drawings of illustrative
5 embodiments of the invention in which:

Figure 1A is a front cross-sectional view of a conventional powdered toothbrush including a head;

10 Figure 1B is a partial cross-sectional side view of the toothbrush head of Figure 1A;

Figure 1C is a partial cross-sectional front view of the toothbrush head of Figure 1A;

15

Figure 2 is a front and side perspective view of a powered toothbrush according to the present invention with a toothbrush head having distinct first and second sections, said second section being shown in general, i.e. dotted lines to indicate that several alternative embodiments are possible for said second section;

20

Figure 3 is a front and side perspective view of an embodiment of the powered toothbrush head of the powered toothbrush of Figure 2, wherein a particular embodiment of said second section is shown in detail;

WO 03/090639

PCT/US03/12558

Figure 4 is a top plan view of the powered toothbrush head of the powered toothbrush embodiment of Figure 3;

Figures 4A-4C are a top plan view and elevated cross-section views of an alternate embodiment of the powered toothbrush head of the powered toothbrush embodiment of Figure 3, in motion;

Figure 5 is a top plan view of an alternate embodiment of the powered toothbrush head of the powered toothbrush embodiment of Figure 3;

10

Figures 6A-6B are elevated cross-section views of another embodiment of the powered toothbrush head of Figure 3 in motion;

Figure 7 is a cross-section view of the powered toothbrush head of the powered toothbrush of Figures 6a-6b engaging teeth;

15

Figure 8 is a cross-section view of the powered toothbrush head of the powered toothbrush of Figures 6a-6b engaging teeth at an oblique angle;

Figure 9 is a front and side perspective view of the powered toothbrush head of the powered toothbrush of Figure 2, wherein another embodiment of said second section is shown in detail;

20

WO 03/090639

PCT/US03/12558

Figure 10 is a front and side perspective view of the powered toothbrush head of the powered toothbrush of Figure 2, wherein another embodiment of said second section is shown in detail;

5 Figure 11 is a front and side perspective view of the powered toothbrush head of the powered toothbrush of Figure 2, wherein another embodiment of said second section is shown in detail;

10 Figure 12 is a front and side perspective view of another preferred embodiment of the powered toothbrush head of the powered toothbrush of the present invention;

Figure 13 is a front and side perspective exploded view of the powered toothbrush head of the powered toothbrush of Figure 12;

15 Figure 14 is a front and side perspective exploded view of another embodiment the powered toothbrush head of the powered toothbrush of Figure 12;

Figures 15A-15C are elevated cross-section views of the powered toothbrush head of the embodiment of Figure 12, in motion;

20

Figure 16 is a front and side perspective view of the powered toothbrush head of the powered toothbrush of Figure 2, wherein another embodiment of said second section is shown in detail;

WO 03/090639

PCT/US03/12558

Figure 17 is a front and side perspective view of the powered toothbrush head of the powered toothbrush of Figure 2, wherein another embodiment of said second section is shown in detail;

5 Figure 18 is a front and side perspective view of the powered toothbrush head of the powered toothbrush of Figure 2, wherein another embodiment of said second section is shown in detail;

10 Figure 19A is a perspective view of an elastomeric tooth care element having a first configuration and adapted for use in the toothbrush head;

Figure 19B is a perspective view of an elastomeric tooth care element having a second configuration and adapted for use in the toothbrush head;

15 Figure 19C is a perspective view of an elastomeric tooth care element having a third configuration and adapted for use in the toothbrush head;

Figure 19D is a perspective view of an elastomeric tooth care element having a fourth configuration and adapted for use in the toothbrush head; and

20

Figure 19E is a perspective view of an elastomeric tooth care element having a fifth configuration and adapted for use in the toothbrush head.

25

WO 03/090639

PCT/US03/12558

DETAILED DESCRIPTION OF THE PREFERRED EMBODIMENT

Referring first to Figures 2 through 11 in which an exemplary powered toothbrush according to a first embodiment is illustrated and generally indicated at 5 100. The toothbrush 100 includes a handle 102 at a proximal end that defines an interior compartment (not illustrated) for housing various toothbrush components and a brush section 104 that is defined by a neck 110 that terminates in a head 120 at a distal end of the toothbrush 100. The handle 102 has a free proximal end 108 and an opposite neck end 106. The neck 110 generally extends from a first end 114 to a 10 second end 116 with the first end 114 being located at the neck end 106 of the handle 102 and the second end 116 being located at the head 120. In other words, the neck 110 is the portion of the toothbrush 100 that extends between the handle 102 and the head 120. The neck 110 also defines an interior compartment (not illustrated) for housing various working components of the toothbrush 100. The head 120 is may be 15 generally aligned with the longitudinal axis of the toothbrush 100 or may be mounted on a neck 110 with is angled with respect to said handle 102.

According to one embodiment, the neck 110 and the handle 102 are constructed as a unitary member by forming the neck 110 integral to the handle 102 at the neck end 20 106 of the handle 102. In another embodiment, the neck 110 is detachable from the handle 102 at the neck end 106 of the neck 110. In this embodiment, the combined neck 110 and head 120 can be removed from the handle 102 to permit cleaning, servicing and/or interchanging of either the handle 102 or the combined neck 110 and head 120. When the neck 110 is detachable from the handle 102, i.e. a replaceable 25 head 120/neck 110 assembly, the first neck end 114 can include a connector (not

WO 03/090639

PCT/US03/12558

illustrated) that is adapted to be detachably joined to the handle 102 using traditional techniques.

It will further be appreciated that the illustrated shapes of the handle 102 and neck 110 are merely exemplary in nature and the handle 102 and/or neck 110 can be formed to have any number of shapes. Preferably, the shapes of the handle 102 and the neck 110 are ergonomically efficient and pleasing to a user of the toothbrush 100 and provide a toothbrush that is easily gripped, held and manipulated by the user. For example, the handle 102 can include slightly recessed finger sections 118 which are formed on opposite sides of the handle 102. One recessed finger section 118 is designed to receive the thumb of one hand and the other recessed finger section 118 is designed to receive one or more other fingers of the same hand to thereby assist the user in proper placement of the toothbrush 100 in the user's hand. One or more of the recessed finger sections 118 can include ribs or another type of roughened surface to assist the user in gripping the toothbrush in the recessed finger sections 118.

As illustrated in Figs. 3, 9, 10, 11, et seq., the head 120 of the toothbrush 100 includes a head base 160 that partially defines an inner compartment of the head 120. The head base 160 can be constructed so that it terminates in a rounded distal end 162, which actually defines the distal end of the toothbrush 100. Preferably, the head base 160 is integrally attached to the second end 116 of the neck 110.

The head 120 also includes a first movable bristle carrier 180 which is illustrated as being at the outermost or distal portion of the head 120. The first bristle carrier 180 can have a construction that is either identical to or similar to that of the bristle holder 13 illustrated in Figures 1A-1C. The first movable bristle carrier 180 is preferably a

WO 03/090639

PCT/US03/12558

disk with a circular cross-section face which it is intended to rotate or oscillate in a rotational manner. However, it will be appreciated that the first movable bristle carrier 180 is not limited to having a disk shape and can have any number of different shapes, such as egg-shaped, an oval or various other regular or irregular shapes, so long as the first moveable bristle carrier 180 can oscillate in a rotational manner. A circular shape is preferred since it requires the least amount of clearance to accommodate the oscillating movement.

A plurality of bristles 152 are coupled to and extend outwardly from the first movable bristle carrier 180. As used herein, the term "bristles" generally defines tooth care elements and includes any type of structure that is commonly used or is suitable for use in providing oral health benefits (e.g., tooth cleaning, tooth polishing, tooth whitening, etc.) by making intimate contact with surfaces of the teeth and surrounding areas (e.g., gingival tissue). Such bristles include but are not limited to individual bristle strands or tufts of bristles (i.e., a set of bristles) that can be formed to have a number of different shapes and sizes and the bristles can also be in the form of elastomeric members, i.e. elongated elastomeric walls which may be linear or serpentine and/or elastomeric fingers, such as illustrated in Figures 19A-19E, or the bristles can include a combination of any of the aforementioned tooth care elements. As illustrated, the arrangement of bristle tufts are only exemplary configurations or bristle patterns and it will be understood that other bristle configurations secured to the head in a conventional way (such as stapled, IMT technology, etc.) can be used and the bristle tufts can be formed of the same or different bristle materials (such as nylon bristles, spiral bristles, rubber bristles, etc.) Moreover, while the bristles can be arranged so that they are generally perpendicular to the surface or face of the

WO 03/090639

PCT/US03/12558

toothbrush from which they extend, some or all of the bristles can be angled at various angles with respect to the face of the toothbrush. Using such different configurations, types and angles of bristles helps provide enhanced cleaning and massaging of the teeth and gums, especially in hard to penetrate areas, such as between the teeth and
5 below the gum line.

Figures 19A-19E illustrate various exemplary elastomeric members that serve as bristles 152. Figure 19A shows an elastomeric tooth care element in the form of a thin spike; Figure 19B shows an elastomeric tooth care element in the form of a barrel
10 spike; Figure 19C shows an elastomeric tooth care element in the form of a squeegee point; Figure 19D shows an elastomeric tooth care element in the form of an angled point; and Figure 19E shows an elastomeric tooth care element in the form of a section of an elastomeric wall. The elastomeric wall of Figure 19E can have a linear, planar shape; a zigzag shape; a serpentine shape, etc. All of the above elastomeric
15 tooth care elements can have smooth textures or can have rough surfaces. In addition, the wall sections of the elastomeric tooth care elements can be vertically straight, taper toward inward toward one end or expand toward one end. The tops of the elastomeric tooth care walls can have a planar surface or can have a protrusion (i.e., hump) or the like formed thereat.

20

The toothbrush 100 includes a drive mechanism to effectuate movement of certain parts of the toothbrush 100 and more specifically, for causing movement of the first movable bristle carrier 180. Any known geared type of drive structure can be used to oscillate said first movable bristle carrier 180, such as disclosed in US Patent
25 6,000,083 or that disclosed in PCT publication WO 01/19281. One exemplary drive

62301-2435E

mechanism is disclosed in U.S. Patent 5,625,916 to McDougall

and includes a rotating drive shaft 200

that extends at least through the neck 110 (i.e., the inner compartment thereof). The

drive shaft 200 preferably has a construction that is the same as or similar in nature to

5 the shaft 12 illustrated in Figures 1A-1C.

The drive mechanism for the powered toothbrush 100 can be any type of drive, e.g., a rotating drive, an oscillating drive, an eccentric drive, an unbalanced-generated drive, a drive having one more gearing mechanisms, and/or the like, that is capable of

10 performing the intended function. The drive mechanism can be realized in the form of an electric motor or other type of motor and the movement generated by the drive can be imparted to one or more sections of the head 120 or to other elements that can be present at the brush section, such as bristle tufts, elastomeric members. The movement can be imparted directly through a driving axle, such as drive shaft 200 or

15 it can be imparted through a driving post attached to the driving axle. When the toothbrush 100 includes an oscillating drive mechanism either identical to or similar to the exemplary drive mechanism illustrated in Figures 1A through 1C, the interior compartment of the handle 102 houses a motor operatively connected to the drive shaft 200 and a source to power the motor, such as one or more batteries

20

The toothbrush 100 further includes a second bristle carrier 132 that is operatively mounted on the head 120. The second movable bristle carrier 132 comprises a platform 134 having a first end 136, a second end 138, a first end midpoint 140, a second end midpoint 142, a midpoint 144, a far side 300, a near side 302, an upper

25 surface 304 and a lower surface 306. The platform 134 is attached to the head base

WO 03/090639

PCT/US03/12558

160 by supports which may be of such a thin plastic so as to bend readily or of an elastomer, so as to bend readily. In the preferred embodiment; the platform 134 is attached along two sections, at the far side 300 and the near side 302. The platform 134 can be formed of a rigid material or can be formed of an elastomeric material.

5

The platform 134 may have a weakened section 308 incorporated therein to facilitate movement of the second bristle carrier 132 upon application of a force to the upper surface 304. For example, a longitudinal groove (i.e., a score) 330 can be formed in at least one of the upper surface 304. In the illustrated embodiment, a single groove 10 330 is formed across the upper surface 304. The groove 330 forms a weakened section 308 longitudinally within the platform 134 (a so called "living hinge" is formed).

Figures 4A through 4C illustrate another embodiment of a platform 134 including two grooves 330. Herein, the center section may be deformed about grooves 308 15 which form hinges when a force A is applied. Figure 4B illustrates the second bristle carrier 132 in the relaxed condition, prior to any application of force A. Figure 4C illustrated that when a stress or force, force A, is applied to the face or upper surface 304, the center section may collapse toward the head base 160 and the tooth care elements 152 and the vertical elastomeric elements 340 formed on the upper surface 20 304 flex inwardly toward one another as a result of such deformation.

Figure 5 illustrates the platform 134 with the weakened section 308 in another embodiment wherein openings (slots or gaps) 310 are formed along the weakened section 308 so as to define a number of discrete weakened sections to allow for more 25 flexibility to the hinge.

The cross-section of Figure 6A illustrates another embodiment of the second bristle carrier 132 in a relaxed condition prior to application of a force to the face or upper surface 304. Figure 6B illustrates the second bristle carrier 132 and platform 134 in a stressed or deformed condition after a force A is applied to the upper surface 304. When a force is applied to the upper surface 304, the upper surface 304 deforms about the hinge created by the one or more grooves 330. This results in the upper surface 304 at least partially collapsing along the hinge section. The bristles 152 formed on the upper surface 304 flex inwardly toward one another as a result of such deformation, as illustrated in Figure 6B. The elastomeric second bristle carrier 132 can thus be thought of as a hinged block that has shock absorbing characteristics. When the applied force is removed, the second bristle carrier 132 returns to its relaxed condition due to its elastomeric nature.

Referring to Figures 7 and 8, illustrating the deforming movement when the head 120 is in contact with the teeth 500. Figure 7 illustrates the second carrier 132 pressed against the side of the teeth 500 and Figure 8 illustrates the second carrier pressed against the teeth 500 at an oblique angle. Both figures illustrate the deformation of the platform 134 and the bristles and elastomeric elements extending therefrom. The vertical elastomeric element 340 is collapsed upon the surface of the teeth 500 to increase contact. This will enhance cleaning, whitening and massaging.

Preferably, the bristles 152 that extend upwardly from the upper surface 304 are a plurality of elastomeric members (such as those shown in Figures 9-11 and 16-18) that are formed integrally with the elastomeric second bristle carrier 300. For

WO 03/090639

PCT/US03/12558

example, the bristles 152 can be formed in the same molding operation that forms the elastomeric second bristle carrier 132. Thus, while the elastomeric second bristle carrier 132 is described as a bristle carrier, it will be understood that the carrier 132 need not necessarily have to include traditional nylon bristles.

5

Figures 3, 9-11 and 16-18 illustrate numerous elastomeric members/ vertical elastomeric elements 340. The vertical elastomeric elements 340 are typically located proximate to the far side 300 and the near side 302 of the platform 134. However, a single vertical elastomeric element or a combination of such vertical elastomeric elements 340 can extend across the width of the second bristle carrier 132. These vertical elastomeric elements 340 may be numerous different shapes and embodiments. Figure 3 illustrates a straight wall; Figure 9 illustrates a "butterfly wing", where the element is curvilinear and is only attached proximate to the first end 136 and the second end 138; Figure 10 illustrates a "paddle" formation, where the element has wide rounded-edge protrusions; Figure 11 illustrates "dragon teeth"; where the element has a series of short pointed protrusions spaced close together; Figure 16 illustrates an element that is curvilinear in shape; Figure 17 illustrates "fingers", narrow, closely spaced protrusions; and Figure 18 illustrates opposing flaps. It will also be appreciated that any of the forgoing embodiments can be interchanged onto any second carrier regardless of the how or even if that second carrier is hinged or how that second carrier is mounted to the head base 160.

Figures 12 through 18 illustrate views of another exemplary head embodiment of the present invention. The handle 102, neck 110, drive, and head base 160 may be the same as described above. However, referring to Figures 12 and 13, the second

25

WO 03/090639

PCT/US03/12558

movable bristle carrier 132 is supported from said head base 160 by an "I-beam" type formation. The platform 134 of the second bristle carrier 132 is supported by an "I-beam" type formation or a web 400 which may be constructed of an elastomeric material possibly with a rigid polymer core to add strength thereto or according to an
5 alternative embodiment, a rigid web 400 can be used in combination with an elastomeric platform 134. The web 400 may extend, in a preferred embodiment, from about the first end midpoint 140 to about the second end midpoint 142. The platform 134 can flex and bend about the web 400. Figure 14 illustrates a plurality of webs 400 spanning the longitudinal length of lower surface of the platform 134.

10 Figures 15A-15C illustrate the embodiment of Figures 12-14 in motion. Figure 15B illustrates the platform 134, tilting about the web 400, toward the far side 300 due to force B. Figure 15C illustrates the platform 134 tilting toward the near side 302 due to a force C and 15A shows the platform 134 at rest.

15 Figures 16-18 illustrate further embodiments of the vertical elastomeric elements 340 which may be used with the described invention.

It will also be appreciated that in any of the foregoing embodiments, the toothbrush head can have a number of static tooth care elements disposed thereabout
20 in a number of different locations.

The toothbrush 100 according to the various embodiments disclosed herein can be made from any number of materials that are suitable for use in oral care products, such as toothbrushes, etc. For example, many of the components that are included in
25 the toothbrush 100 are formed of plastic materials. Accordingly, the handle 102 and

62301-2435E

head 120 of the powered toothbrush 100 can be molded from polyolefins such as polypropylenes and polyethylenes, polyamids such as nylons, and polyesters such as polyethylene terephthalate. Other suitable materials include polymethylmethacrylate, styrene acrylonitrile and cellulose esters, for example cellulose propionate.

5

When the tooth care elements are in the form of tufts of bristles, the bristles can be made from a flexible material suitable for dental hygiene. Generally, materials suitable for bristles are polyamides such as nylon or polyesters such as polybutylene terephthalate. When the tooth care elements are in the form of elastomeric members, 10 they can be made from any number of suitable elastomeric materials, such as a block copolymer. Preferred block copolymers include styrenes (for example styrene ethylene butadiene styrene, or styrene butadiene styrene), polyolefins (for example polypropylene/ethylene propylene diamine modified systems (i.e. synthetic rubber)), polyamides (for example polyamide (2 or polyamide 6), polyesters (for example 15 polyester ester or polyether ester), polyurethanes (for example polyesterurethane, polyetherurethane or polyesteretherurethane).

Thus, while there have been shown, described, and pointed out fundamental novel features of the invention as applied to a preferred embodiment thereof, it will be 20 understood that various omissions, substitutions, and changes in the form and details of the devices illustrated, and in their operation, may be made by those skilled in the art without departing from and scope of the invention. For example, it is expressly intended that all combinations of those elements and/or steps which perform substantially the same function, in substantially the same way, to achieve the same 25 results are within the scope of the invention. Substitutions of elements from one

WO 03/090639

PCT/US03/12558

described embodiment to another are also fully intended and contemplated. It is also to be understood that the drawings are not necessarily drawn to scale, but that they are merely conceptual in nature. It is the intention, therefore, to be limited only as indicated by the scope of the claims appended hereto.

5

62301-2435E

CLAIMS:

1. A powered toothbrush comprising:
- a handle portion having a neck formed at one end; and
- a head coupled to the neck, the head having an outer surface and further
- 5 including:
- a first bristle carrier coupled to the head and operatively connected to a first drive feature for rotationally or oscillatingly moving the first bristle carrier, the first bristle carrier having at least one set of bristles extending outwardly therefrom; and
- a second bristle carrier coupled to the head, the second bristle carrier having at
- 10 least one set of bristles extending outwardly from an upper surface thereof, the second bristle carrier comprising:
- a platform extending across the head, an upper surface of the platform supporting the at least one set of bristles; and
- a web attached to and extending between the platform and the head,
- 15 wherein at least one of the platform and the web are formed of an elastomeric material so that the platform can flex and bend about the web.
2. The powered toothbrush as defined in claim 1, wherein the web is formed of the elastomeric material and has a rigid polymer core.
3. The powered toothbrush as defined in claim 1, wherein the web is rigid and the
- 20 platform is elastomeric.
4. The powered toothbrush as defined in claim 1, wherein the web is formed of the elastomeric material and the platform is formed of the elastomeric material.

62301-2435E

5. The powered toothbrush as defined in claim 1, wherein the web extends in a direction parallel to a longitudinal axis of the head.
6. The powered toothbrush as defined in claim 1, wherein the web extends substantially the length of the platform.
- 5 7. The powered toothbrush as defined in claim 1, wherein the web has openings formed therealong resulting in the web being partitioned into a plurality of discrete sections.
8. The powered toothbrush as defined in claim 1, wherein the web is formed along a medial longitudinal axis of the platform.
9. The powered toothbrush as defined in claim 1, wherein the handle portion
10 includes recessed finger sections formed on opposite sides of the handle portion for providing a gripping area for holding the handle portion.
10. The powered toothbrush as defined in claim 9, wherein the recessed sections include roughened surfaces.
11. A powered toothbrush comprising:
15 a handle portion having a neck formed at one end and a drive:
a head coupled to the neck, the head including (i) a base (ii) at least one bristle portion extending outward, (iii) a pivotal movable part; and (iv) a rotatable movable part including the bristle portion, the rotatable movable part being coupled to the drive for movement and rotatable movable part being movable about a vertical axis extending upwardly
20 from the base;
the pivotal movable part being resiliently mounted for movement relative to the base about an axis extending generally parallel with respect to the base, the pivotal movable part including (i) a platform having an upper face, and (ii) at least one elastomeric member upstanding on the upper face, and the platform including an elastomeric web extending

62301-2435E

downwardly and along the axis for said movement, the bristle portion and elastomeric member being adapted to contact teeth and gums.

12. The toothbrush of claim 11 wherein the base gradually narrows to a generally convex end at a rear end of the base in a direction towards the other end of the handle portion.
- 5 13. The toothbrush of claim 11 wherein the at least one elastomeric member is curved with respect to the axis.
14. The toothbrush of claim 13 wherein the at least one elastomeric member extends at least partially in a lateral direction along the platform.
15. The toothbrush of claim 11 wherein the at least one elastomeric member is
10 positioned along a perimeter portion of the platform.
16. The toothbrush of claim 11 wherein the at least one elastomeric member comprises elastomeric portions disposed on a perimeter of the platform and at least one further bristle portion is arranged between the elastomeric portions.
17. The toothbrush of claim 16 wherein the elastomeric portions are generally
15 linear.
18. The toothbrush of claim 11 wherein the base includes an opening and the pivotal movable part includes at least one stem received into the opening, the stem including portions that extend laterally beyond the opening to hold the pivotal movable part to the base.
19. The toothbrush of claim 18 wherein the stem and opening are generally aligned
20 along the longitudinal axis of the head.
20. The toothbrush of claim 11 wherein the at least one bristle portion comprises a plurality of bristle portions and the rotatable moveable part is provided with only the plurality of bristle portions for contacting the teeth and gums.

62301-2435E

21. A powered toothbrush comprising:
- a handle portion having a neck formed at one end and a drive mechanism;
- a head coupled to the neck, the head including (i) a base and (ii) a movable part;
- 5 the base having a longitudinal axis and an upper surface to which the movable part is attached; and
- the movable part being mounted for freeform pivotal movement about an axis generally parallel to the longitudinal axis of the base and including (i) a platform having a second upper face, (ii) at least one cleaning element extending outward from the second upper
- 10 face, and (iii) an elastomeric tongue extending in a direction opposite to the cleaning element for receipt in an opening in the base, the elastomeric tongue including portions that extend laterally beyond the opening.
22. The toothbrush of claim 21 wherein the at least one cleaning element is an elastomeric member extending outward from the second upper face.
- 15 23. The toothbrush of claim 22 wherein the at least one elastomeric member is formed as an imperforate, elongate wall with an upper edge having a generally uniform height from the second upper face.
24. The toothbrush of claim 23 wherein the at least one elastomeric wall is curved.
25. The toothbrush of claim 22 wherein the at least one elastomeric member is
- 20 positioned along a perimeter portion of the platform.
26. The toothbrush of claim 22 further including bristles on the upper face of the base.
27. The toothbrush of claim 21 wherein the head further comprises a second movable part rotatable about an axis extending outward from the upper surface.

62301-2435E

28. A powered toothbrush comprising:

a handle portion having a neck formed at one end;

a head coupled to the neck, the head having an outer surface and further including:

5 a first bristle carrier coupled to the head and operatively connected to a drive feature for rotationally or oscillatingly moving the first bristle carrier, the first bristle carrier having at least one set of bristles extending outwardly therefrom; and

a second bristle carrier coupled to the head, the second bristle carrier including a platform having an upper surface, an elastomeric wall extending along an edge of the platform and outwardly from the upper surface of the platform, and at least one set of bristles extending outwardly from the upper surface of the platform.

29. The powered toothbrush as defined in claim 28, wherein the first bristle carrier oscillates in a direction parallel to an outer surface of the head.

30. The powered toothbrush as defined in claim 28, wherein the platform is formed of one of a rigid material and an elastomeric material.

31. The powered toothbrush as defined in claim 28, wherein the at least one set of bristles of the second bristle carrier comprises a plurality of elastomeric fingers.

32. The powered toothbrush as defined in claim 28 wherein the elastomeric wall extends across a width of the second bristle carrier.

20 33. The powered toothbrush as defined in claim 32, wherein the elastomeric wall extends across the second bristle carrier in a direction transverse to a longitudinal axis of the head.

34. A powered toothbrush comprising:

a handle portion having a neck formed at one end;

62301-2435E

a head coupled to the neck, the head having an outer surface and further including:

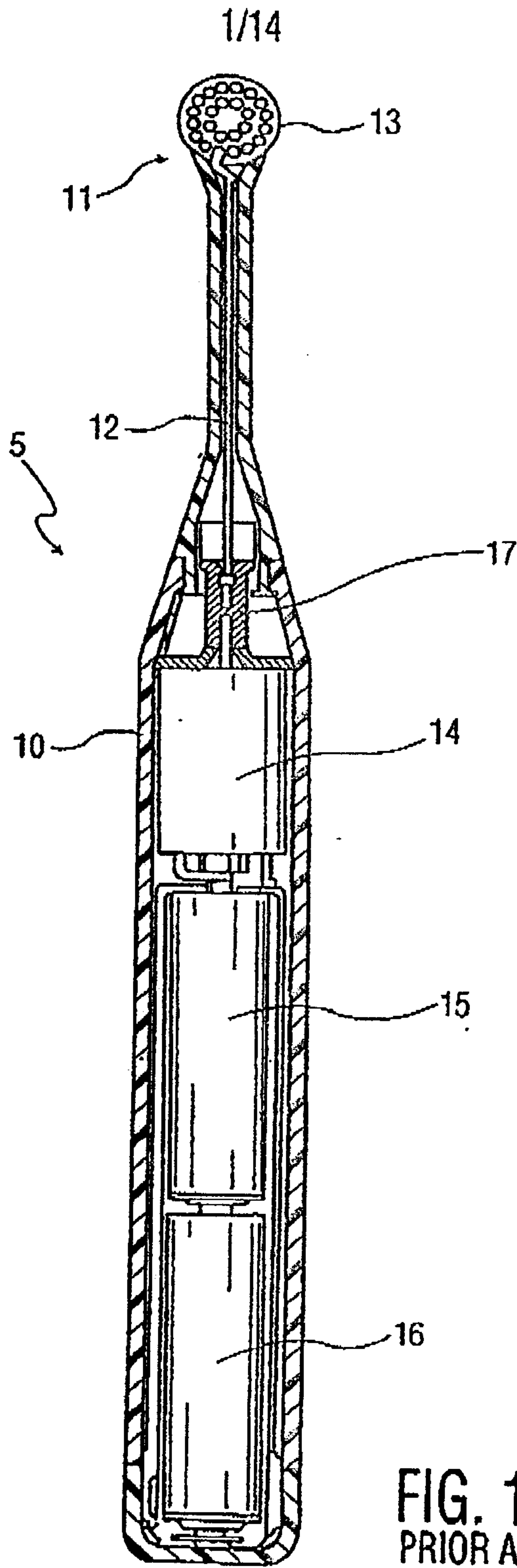
a first bristle carrier coupled to the head and operatively connected to a drive feature for rotationally or oscillatingly moving the first bristle carrier, the first bristle carrier
5 having at least one set of bristles extending outwardly therefrom; and

a second bristle carrier coupled to the head, the second bristle carrier including a platform having an upper surface, an elastomeric wall extending across a width of the platform and outwardly from the upper surface of the platform, and at least one set of bristles extending outwardly from the upper surface of the platform.

10 35. The powered toothbrush as defined in claim 35, wherein the elastomeric wall extends across the second bristle carrier in a direction transverse to a longitudinal axis of the head.

WO 03/090639

PCT/US03/12558



SUBSTITUTE SHEET (RULE 26)

WO 03/090639

PCT/US03/12558

2/14

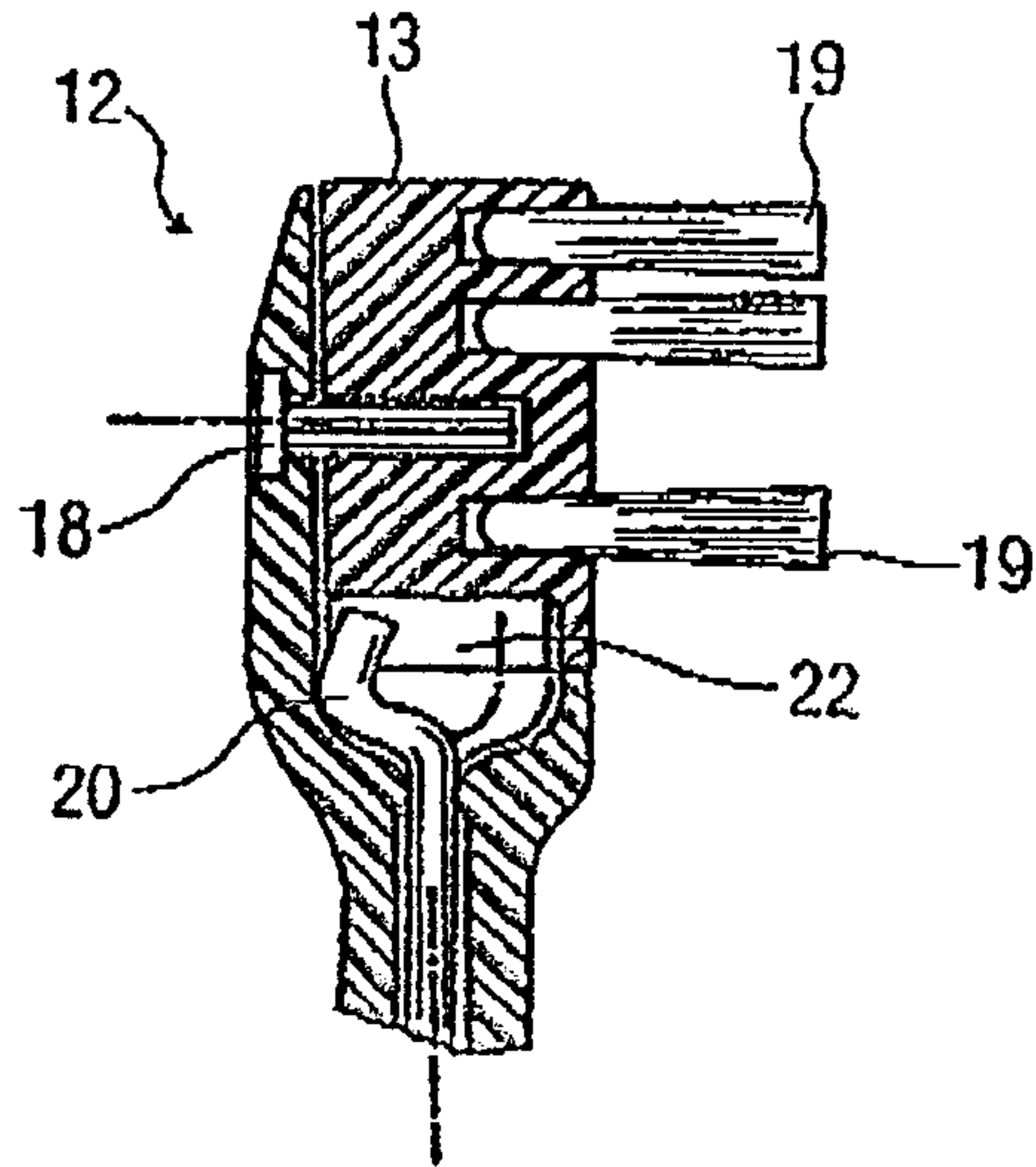


FIG. 1B
PRIOR ART

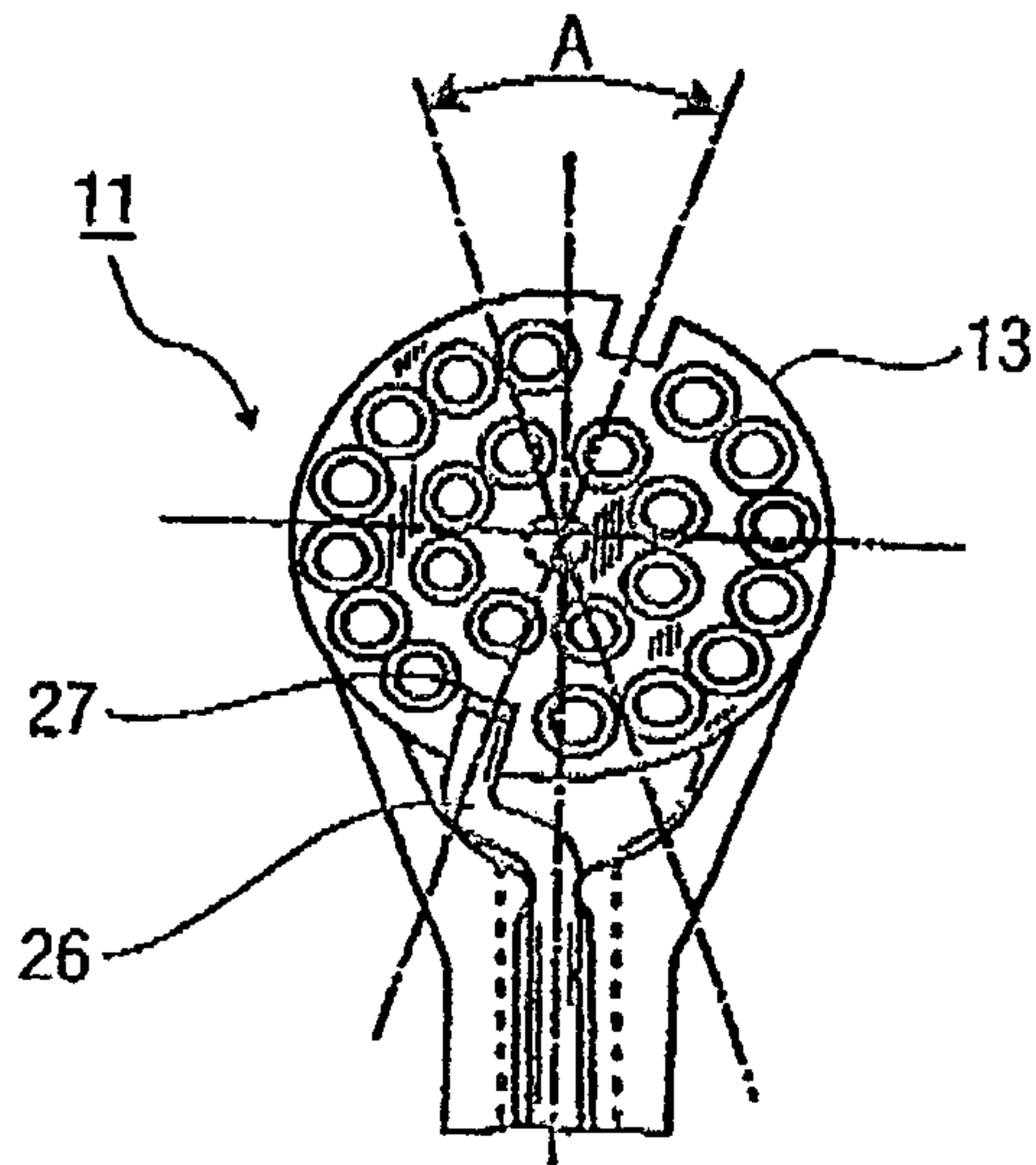


FIG. 1C
PRIOR ART

SUBSTITUTE SHEET (RULE 26)

WO 03/090639

PCT/US03/12558

3/14

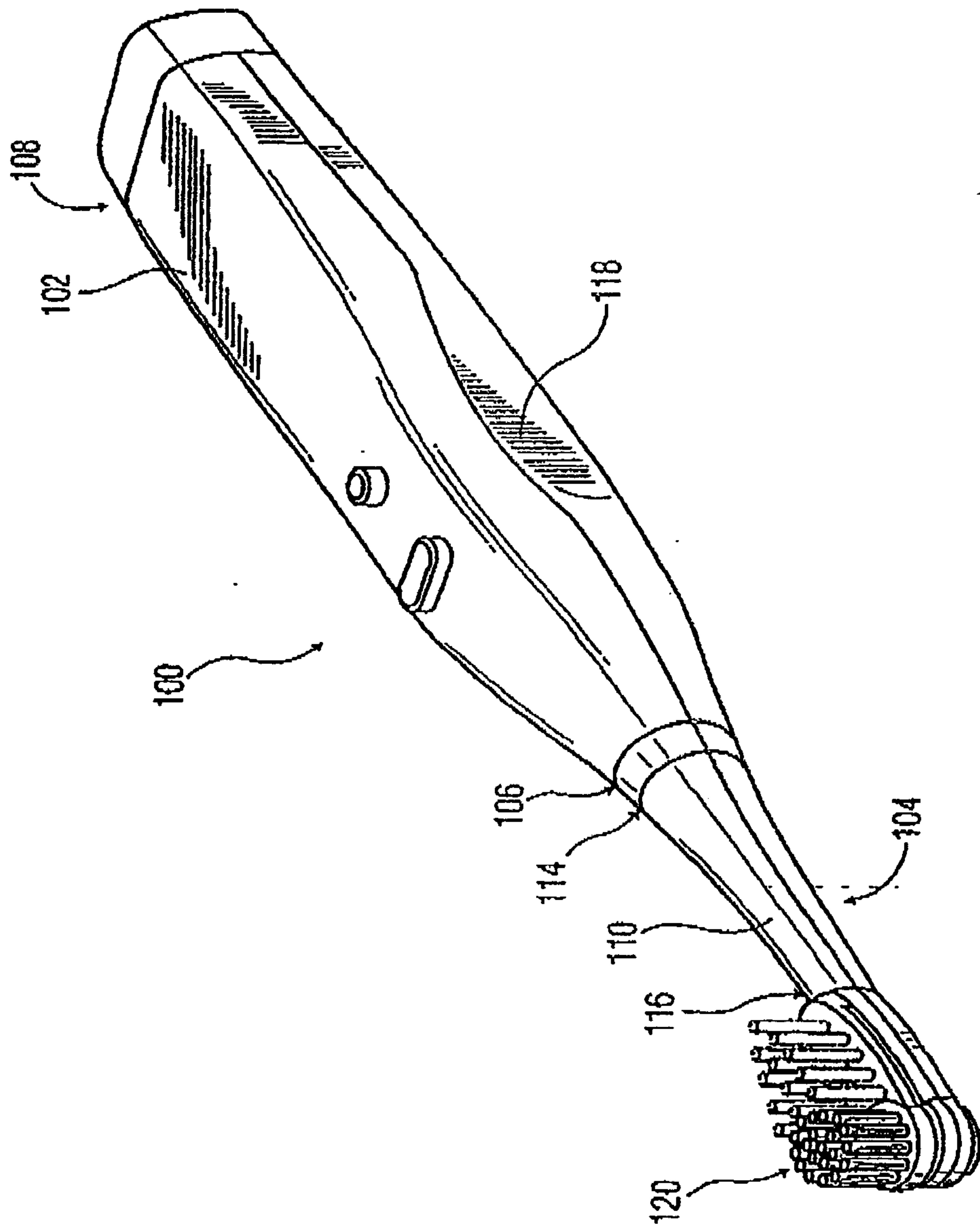


FIG. 2

WO 03/090639

PCT/US03/12558

4/14

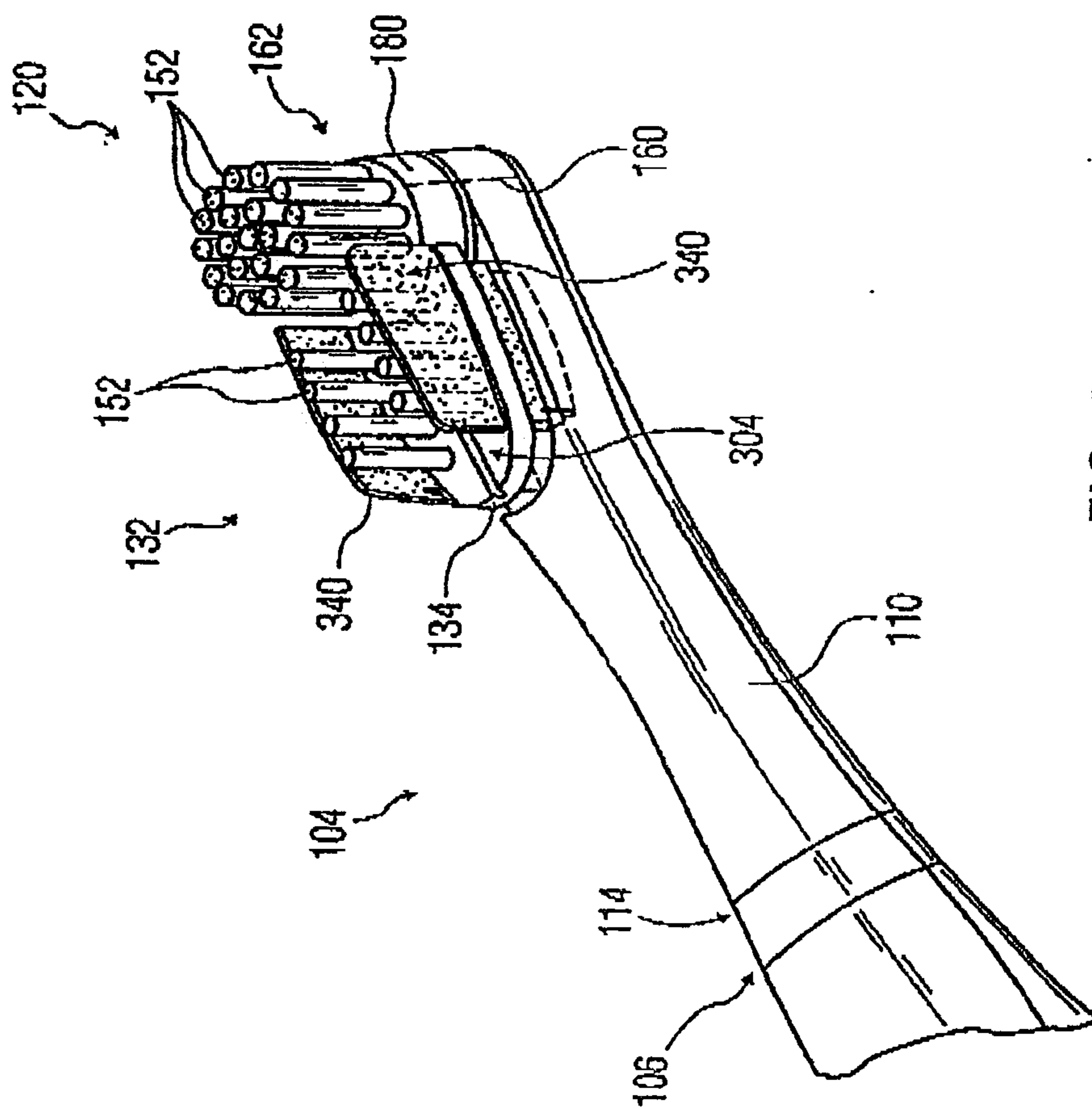


FIG. 3

WO 03/090639

PCT/US03/12558

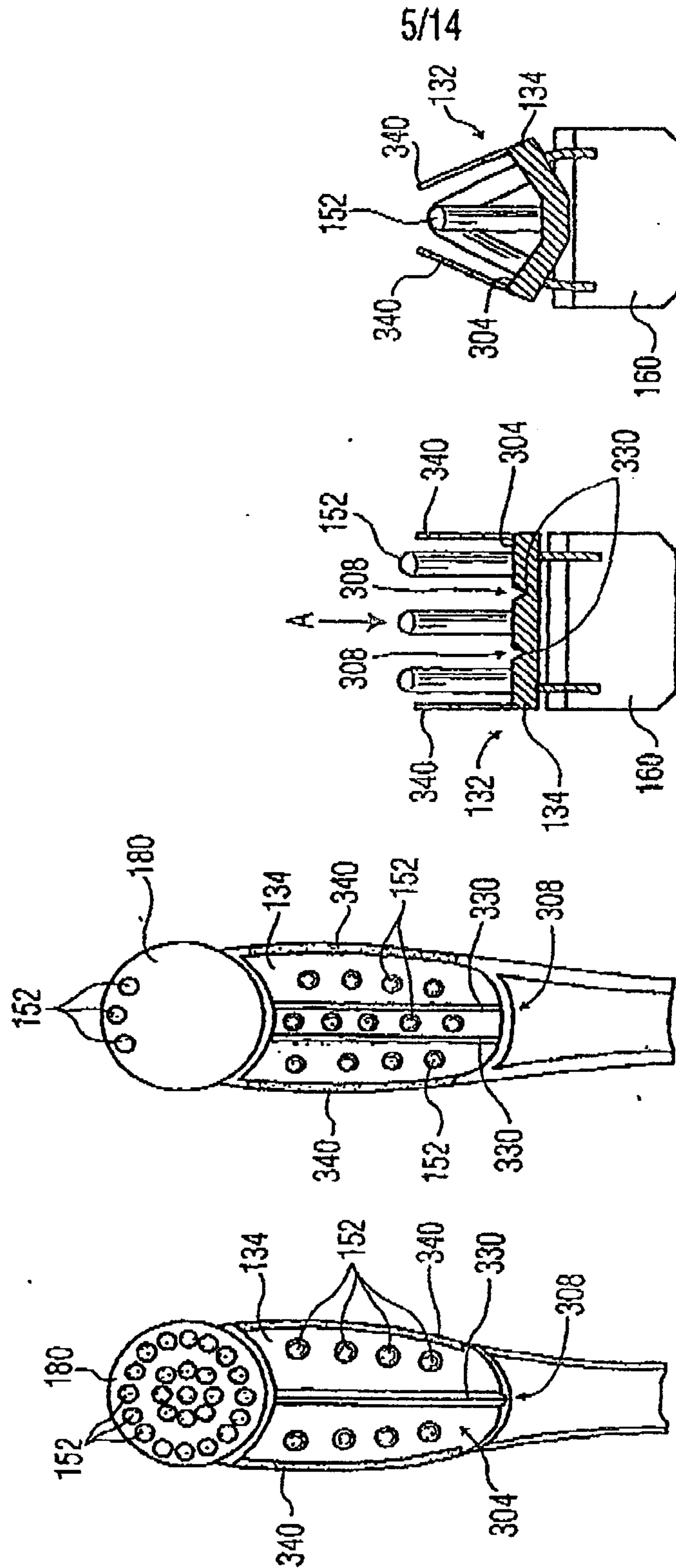


FIG. 4C

FIG. 4B

FIG. 4A

FIG. 4

WO 03/090639

PCT/US03/12558

6/14

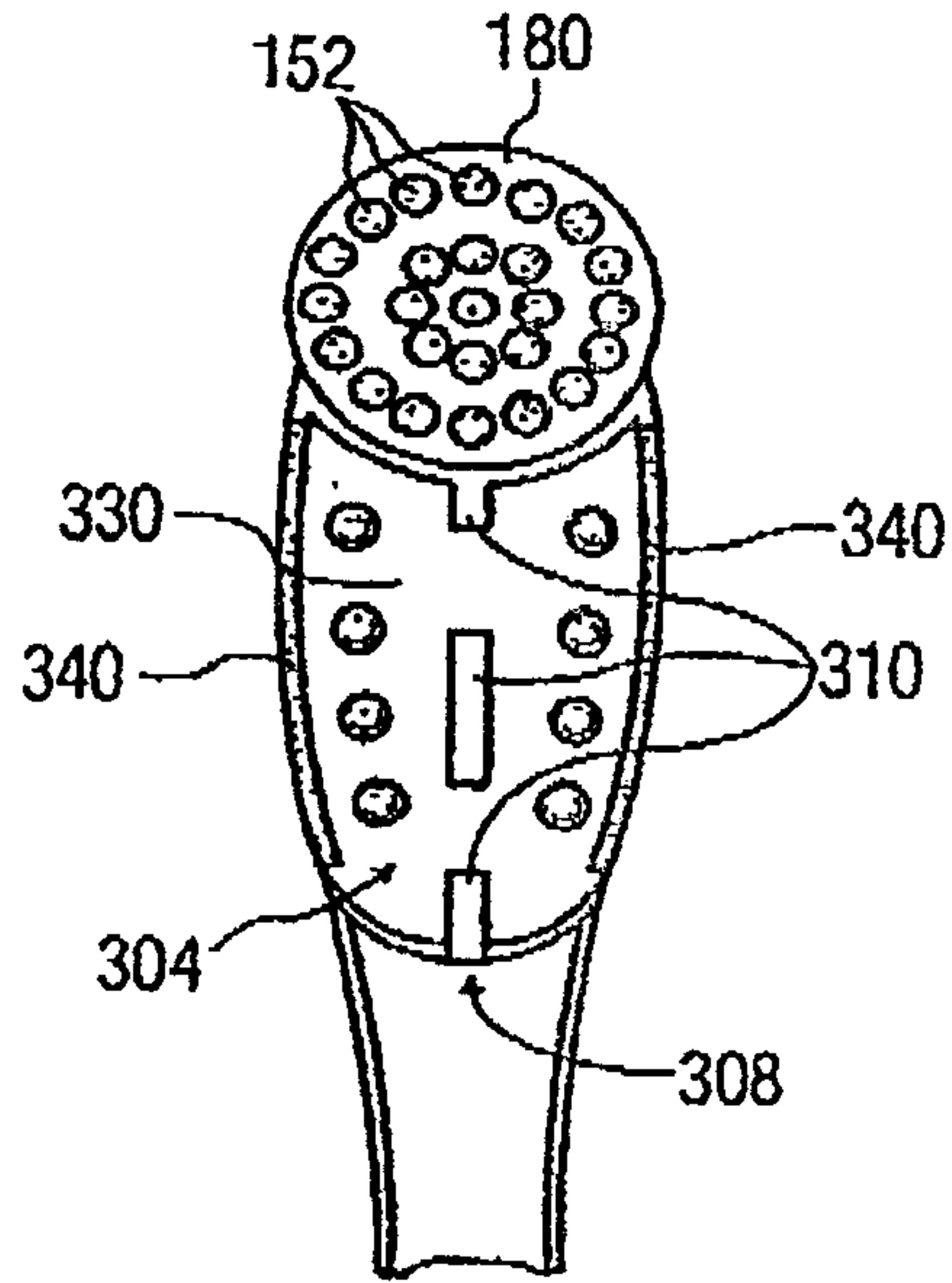


FIG. 5

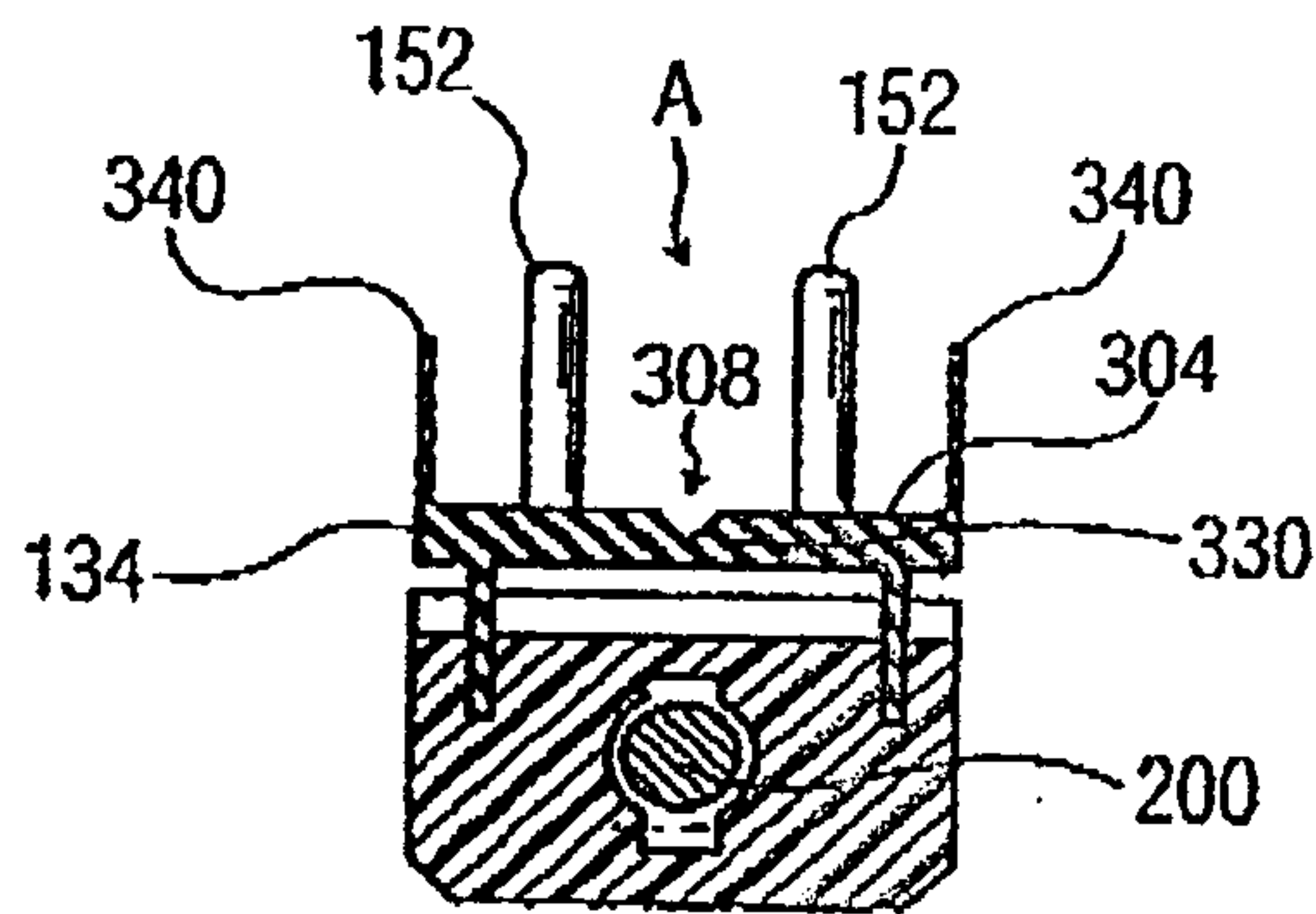


FIG. 6A

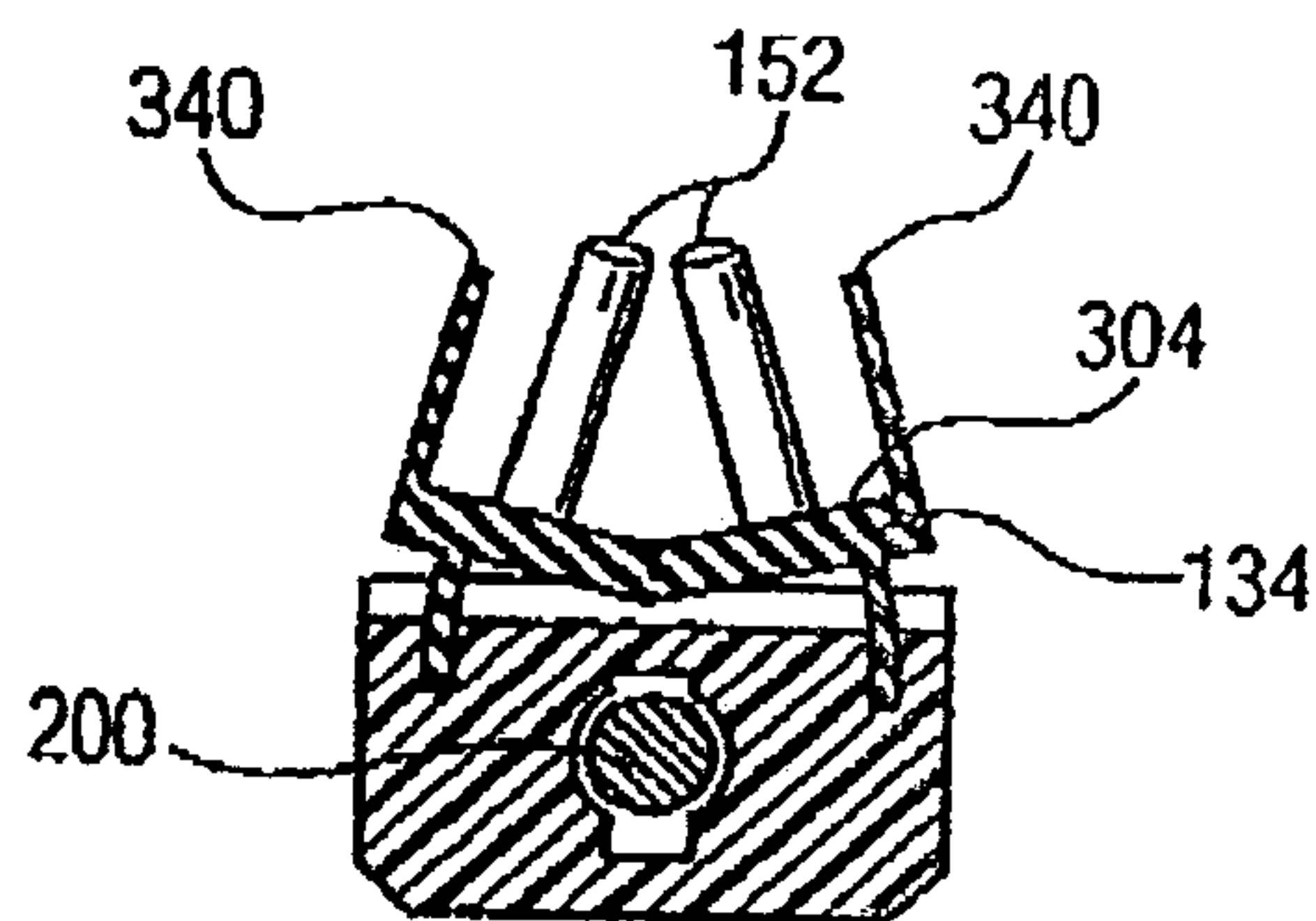


FIG. 6B

WO 03/090639

PCT/US03/12558

7/14

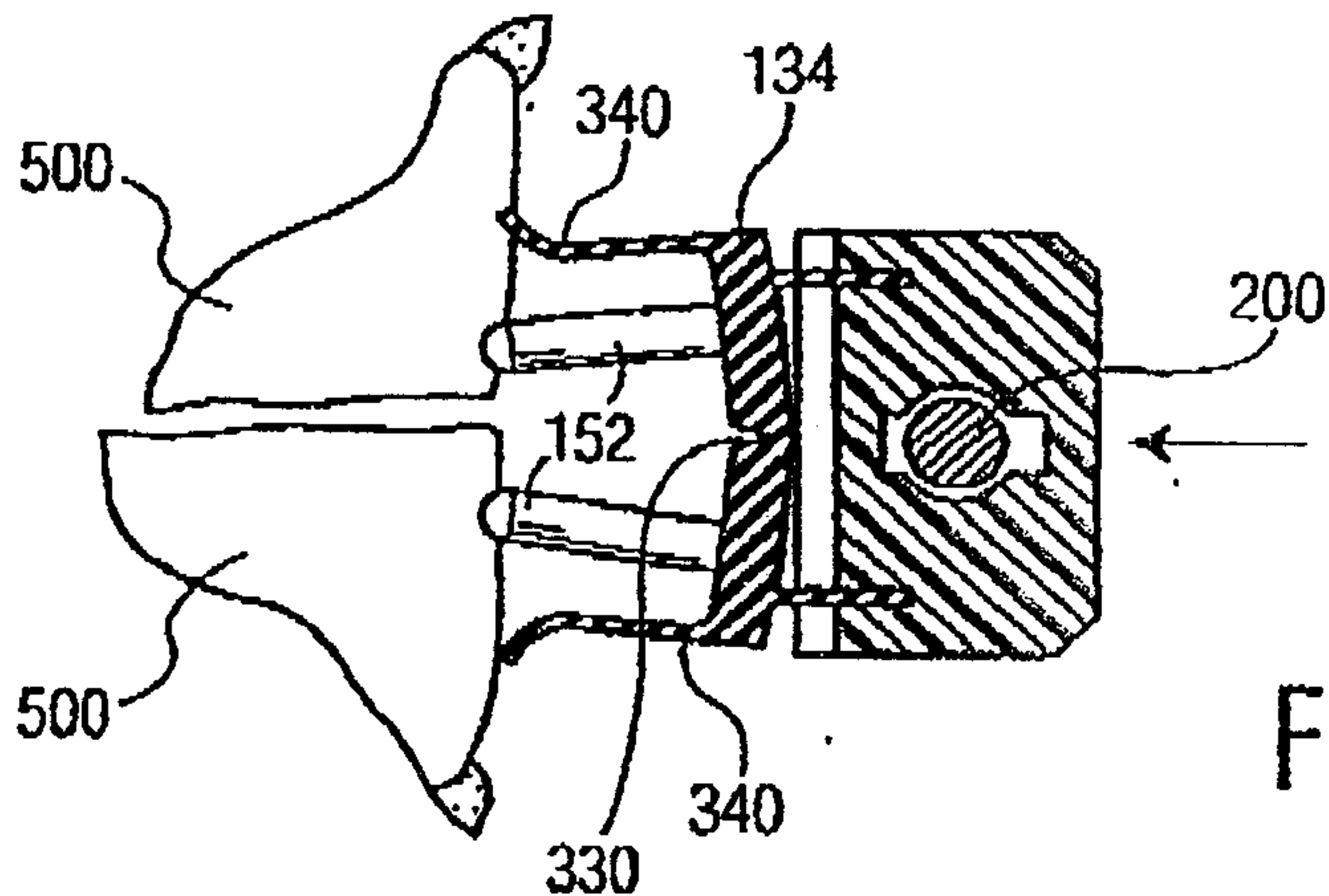


FIG. 7

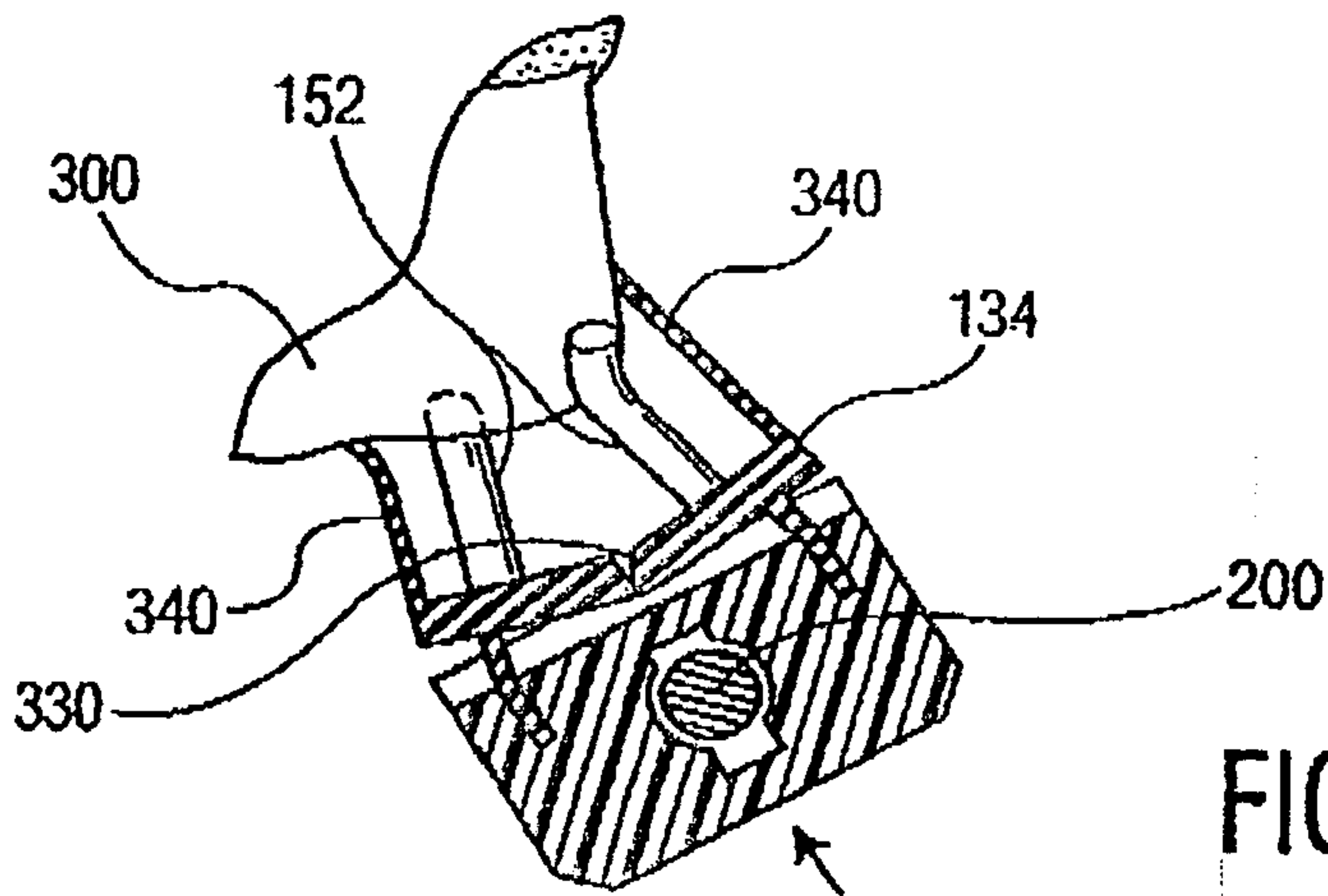


FIG. 8

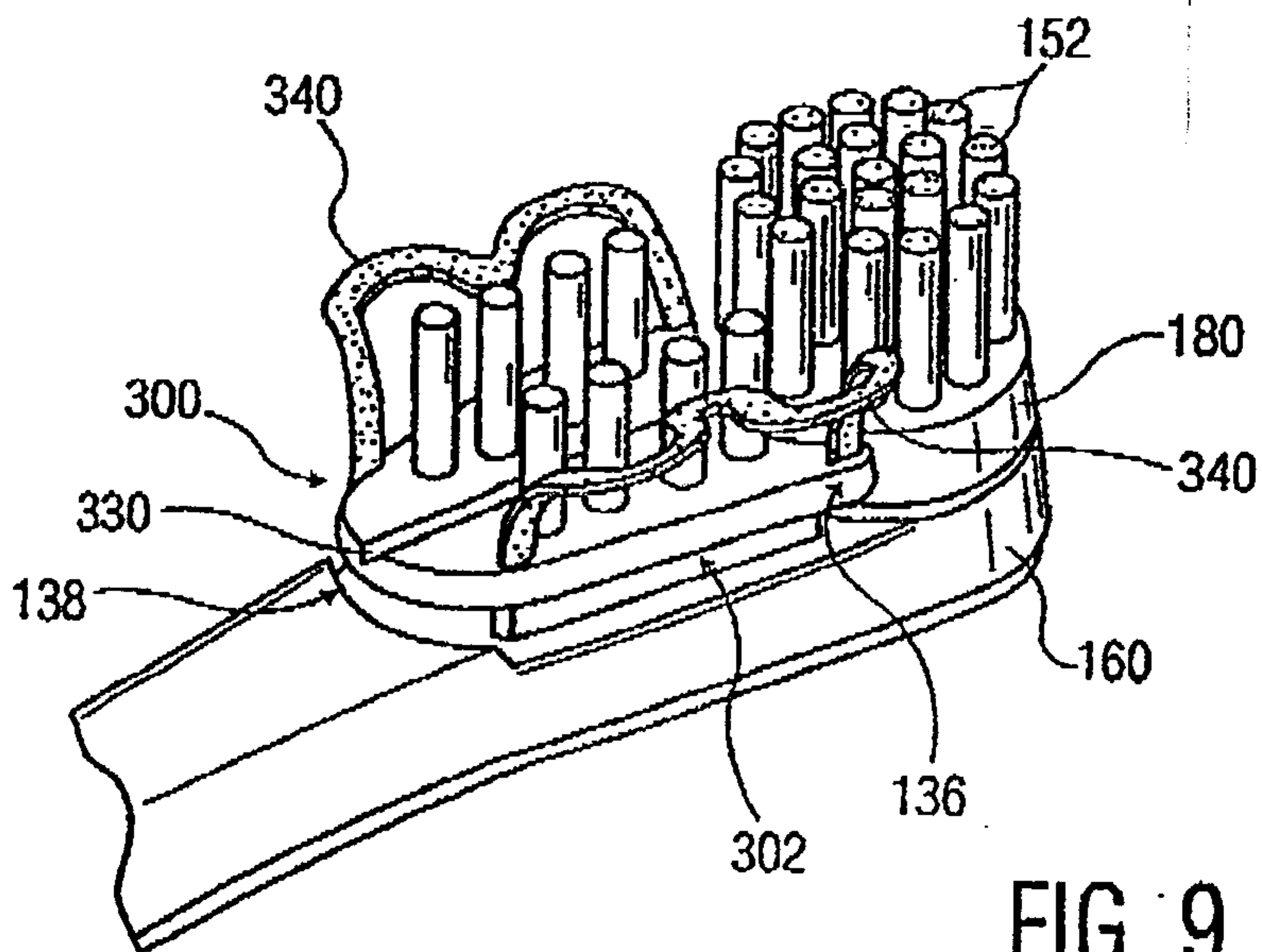


FIG. 9

WO 03/090639

PCT/US03/12558

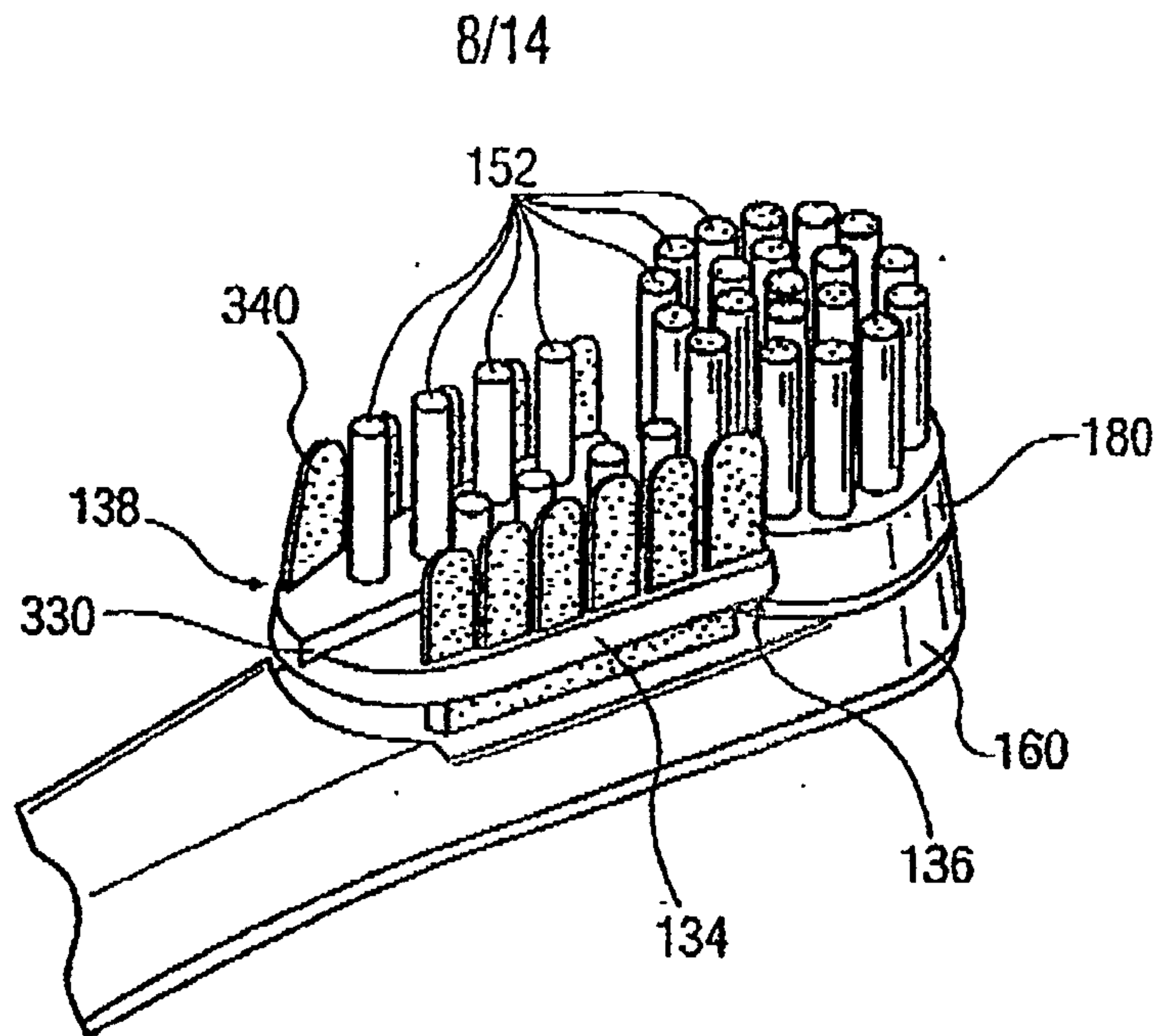


FIG. 10

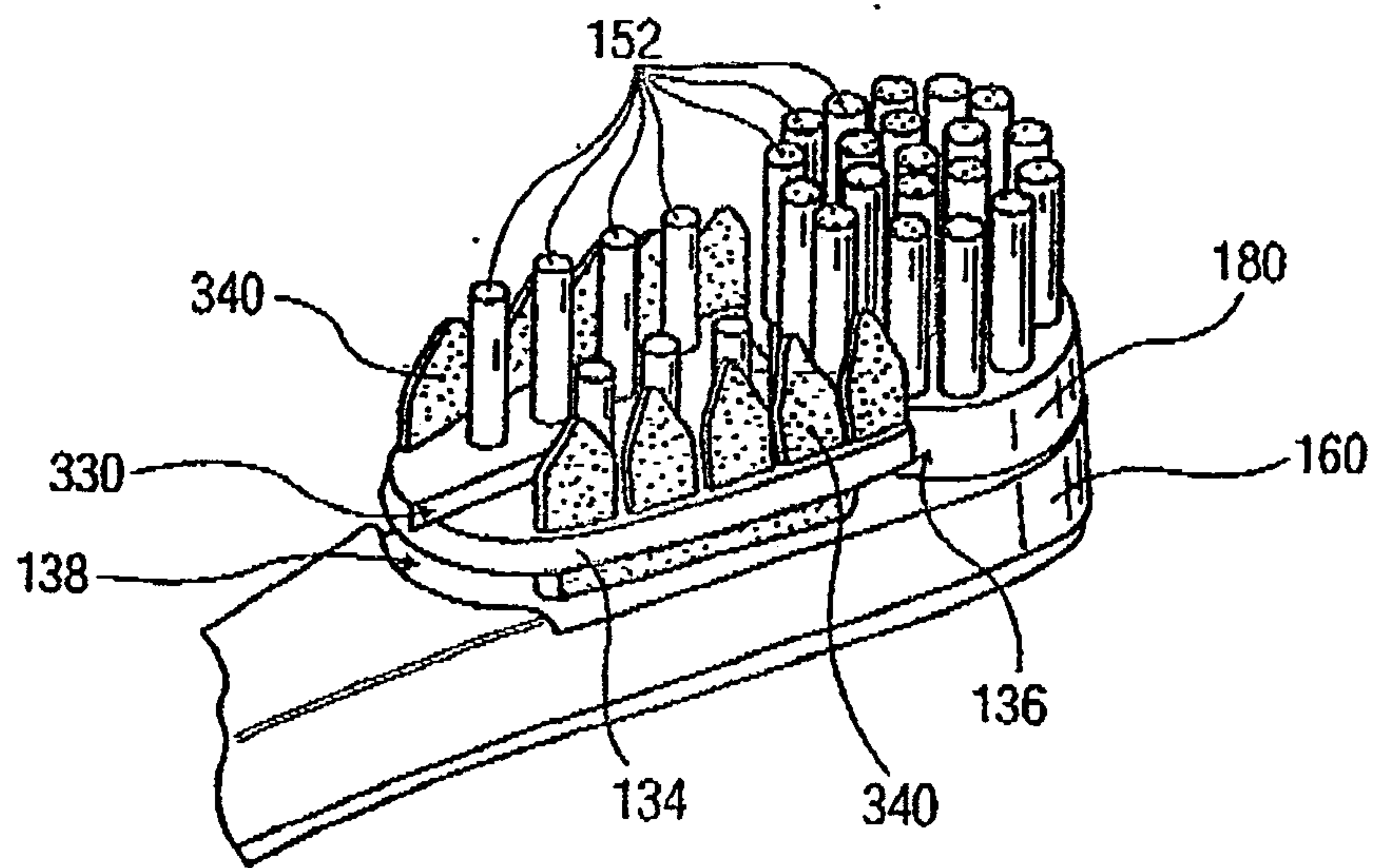


FIG. 11

SUBSTITUTE SHEET (RULE 26)

WO 03/090639

PCT/US03/12558

9/14

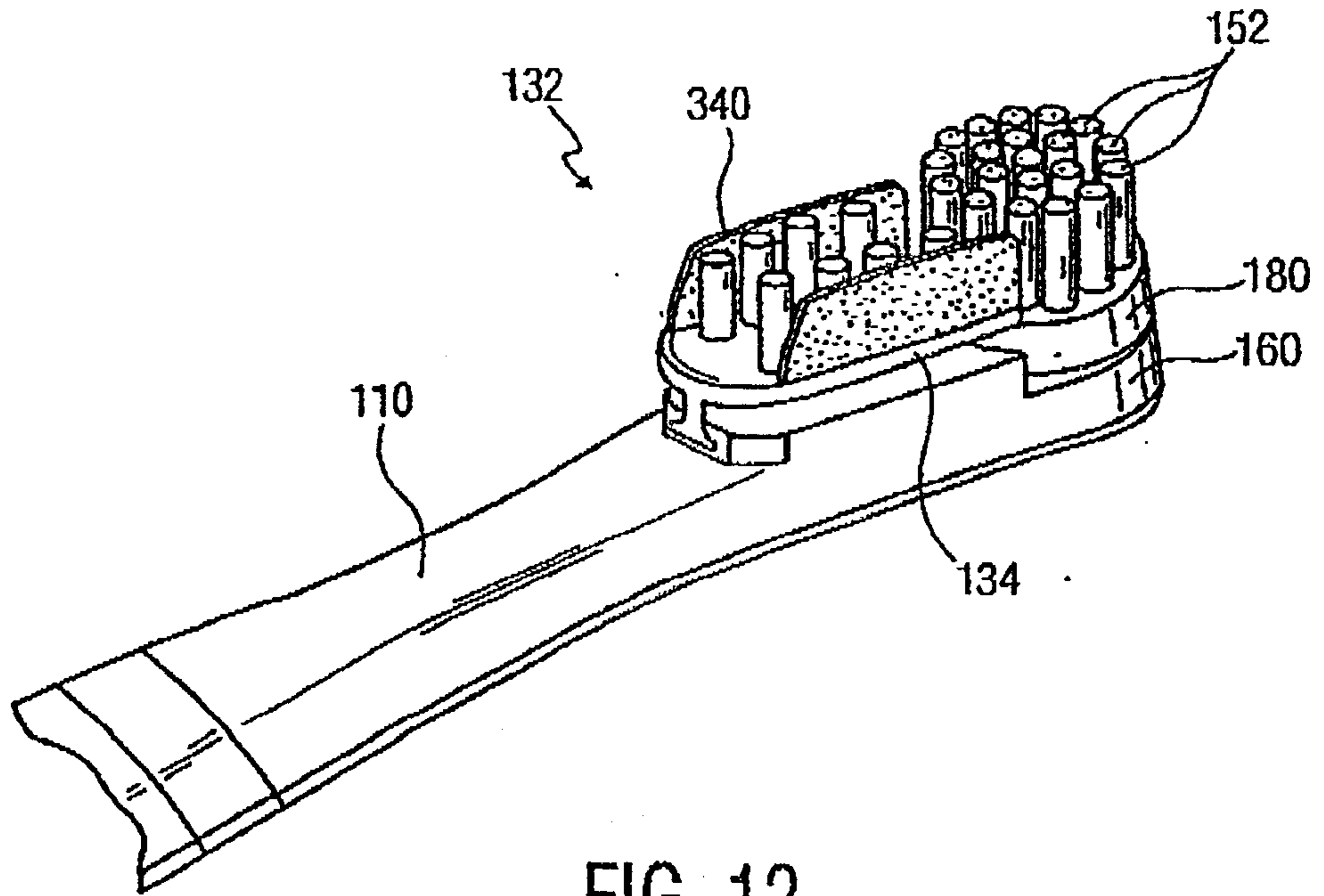


FIG. 12

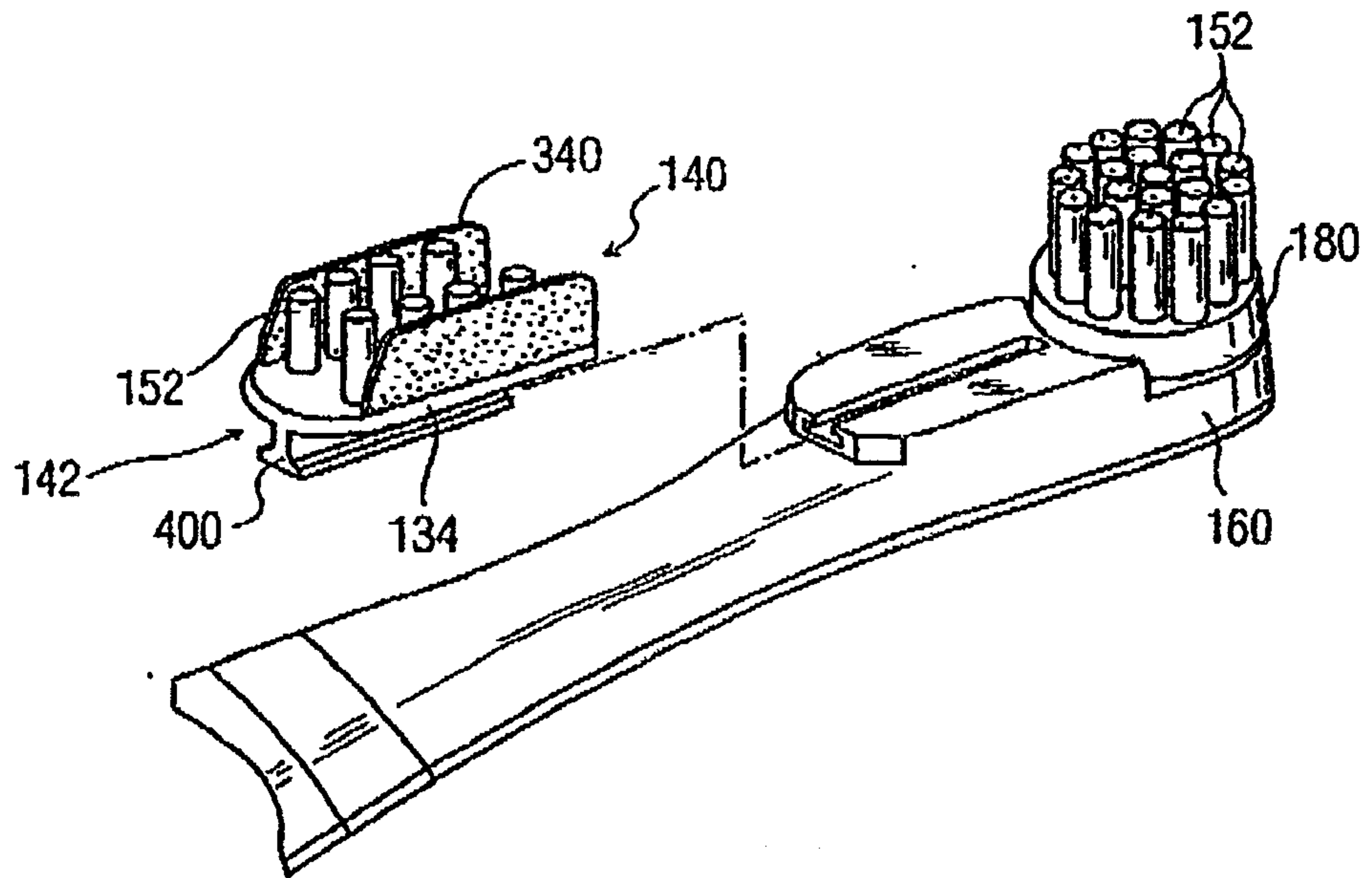


FIG. 13

SUBSTITUTE SHEET (RULE 26)

WO 03/090639

PCT/US03/12558

10/14

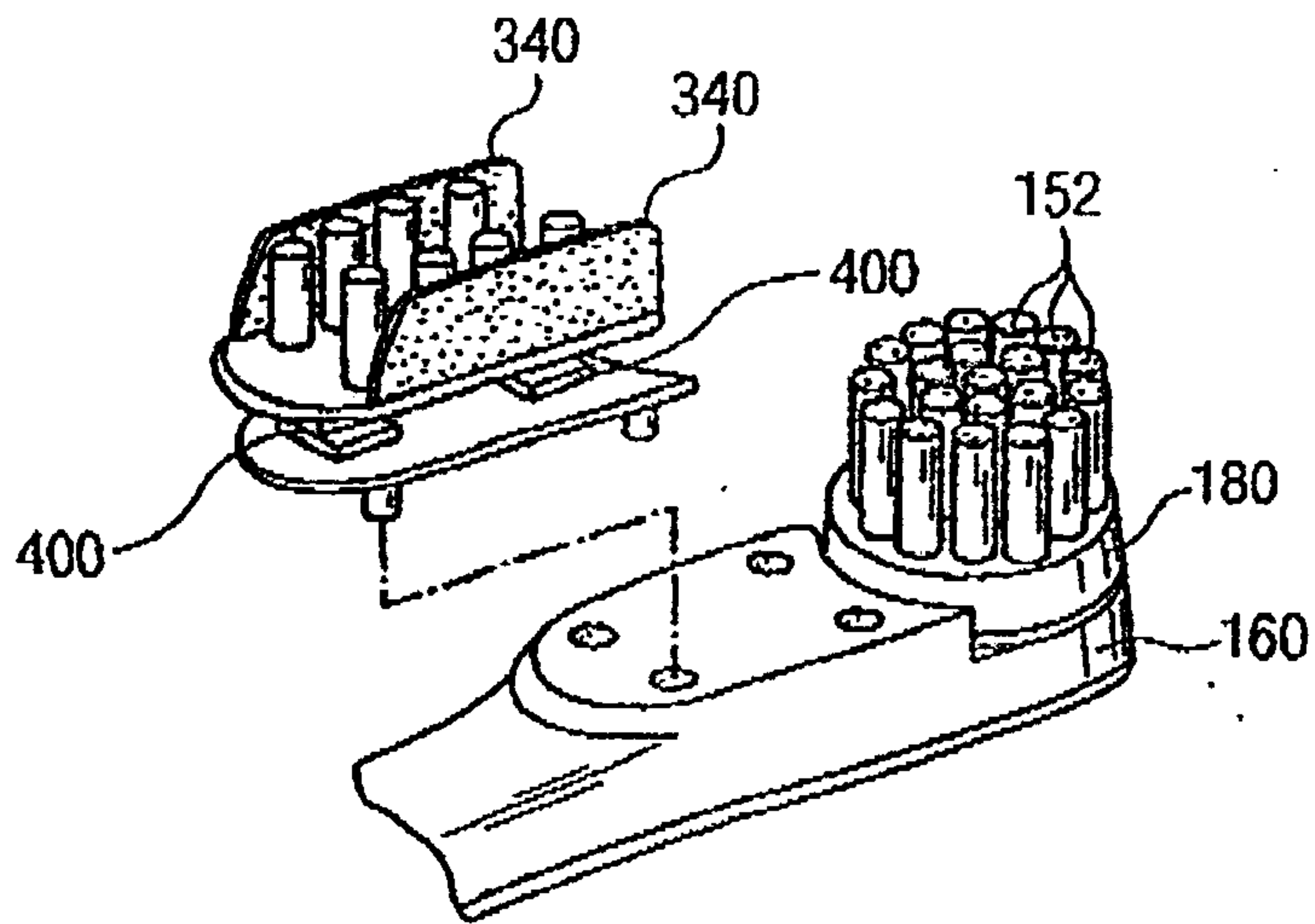


FIG. 14

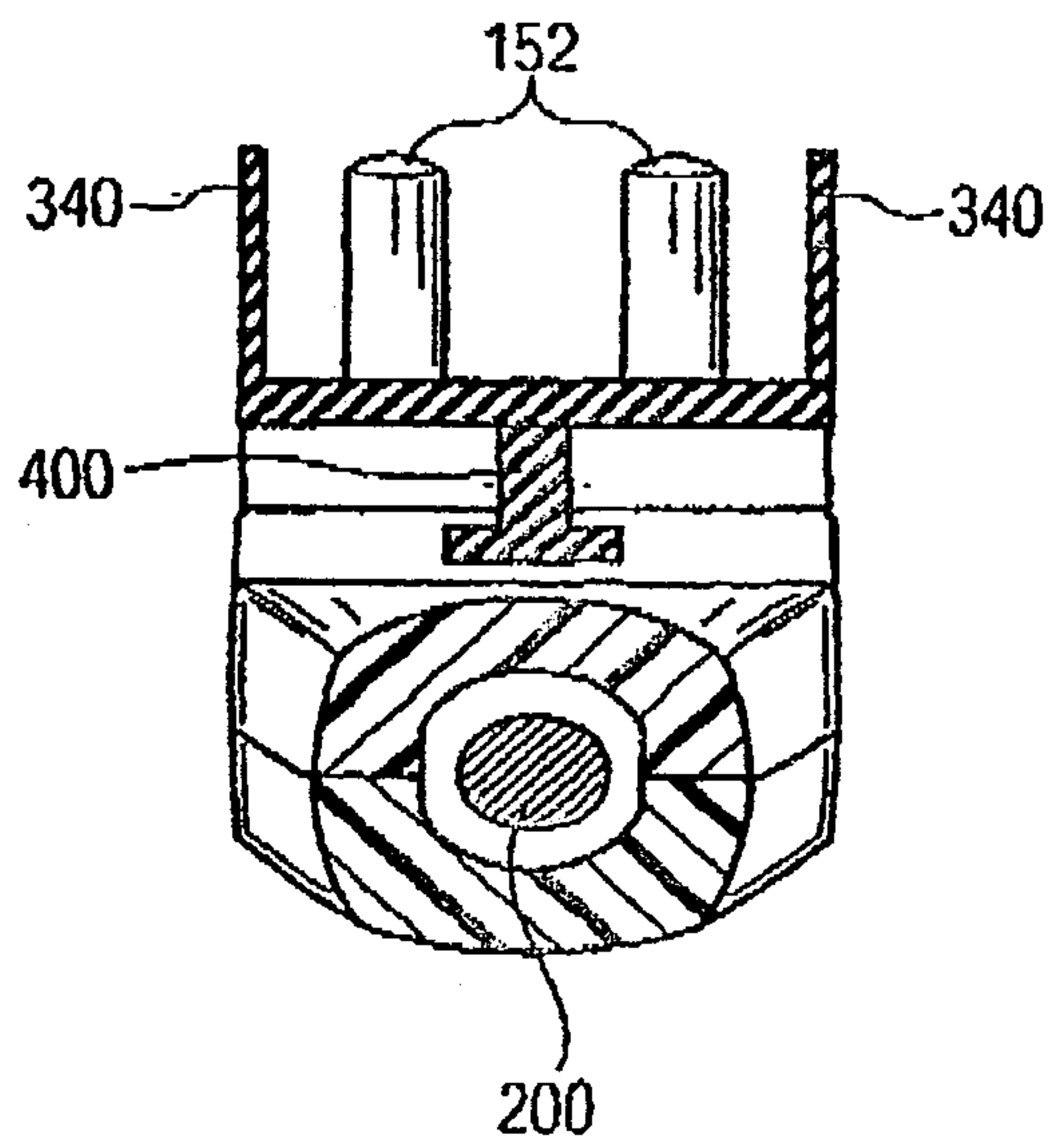


FIG. 15A

SUBSTITUTE SHEET (RULE 26)

WO 03/090639

PCT/US03/12558

11/14

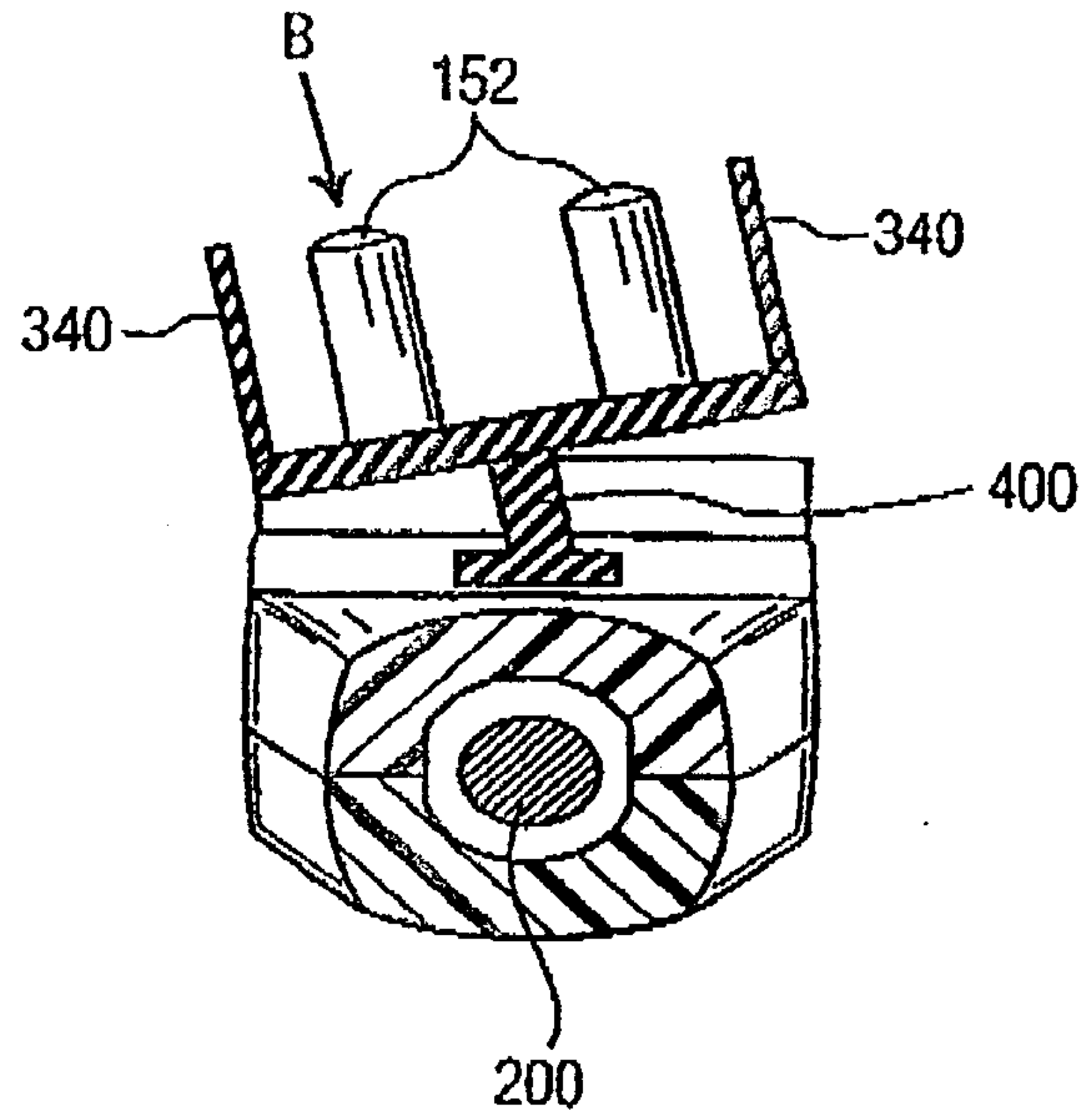


FIG. 15B.

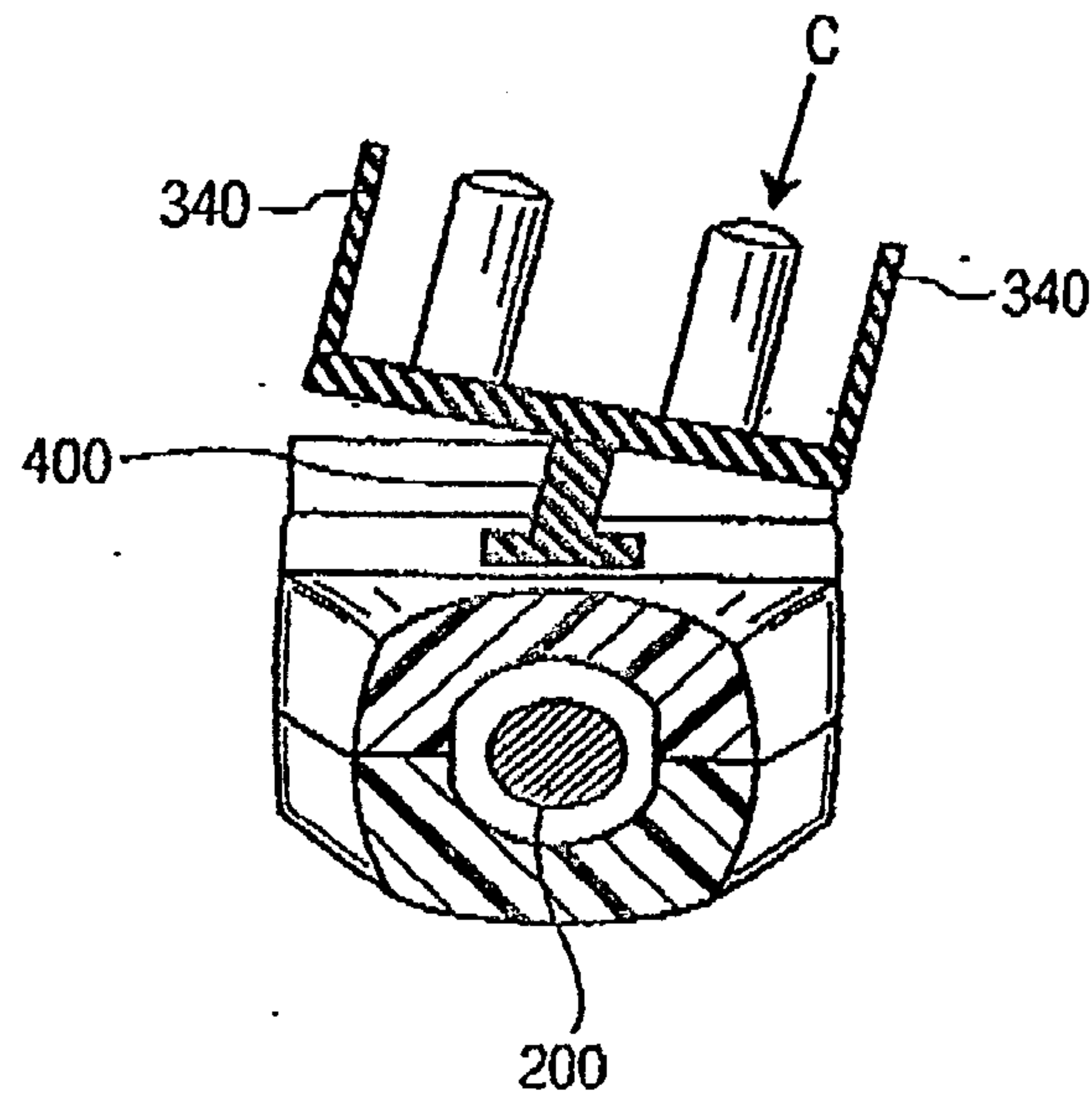


FIG. 15C

SUBSTITUTE SHEET (RULE 26)

WO 03/090639

PCT/US03/12558

12/14

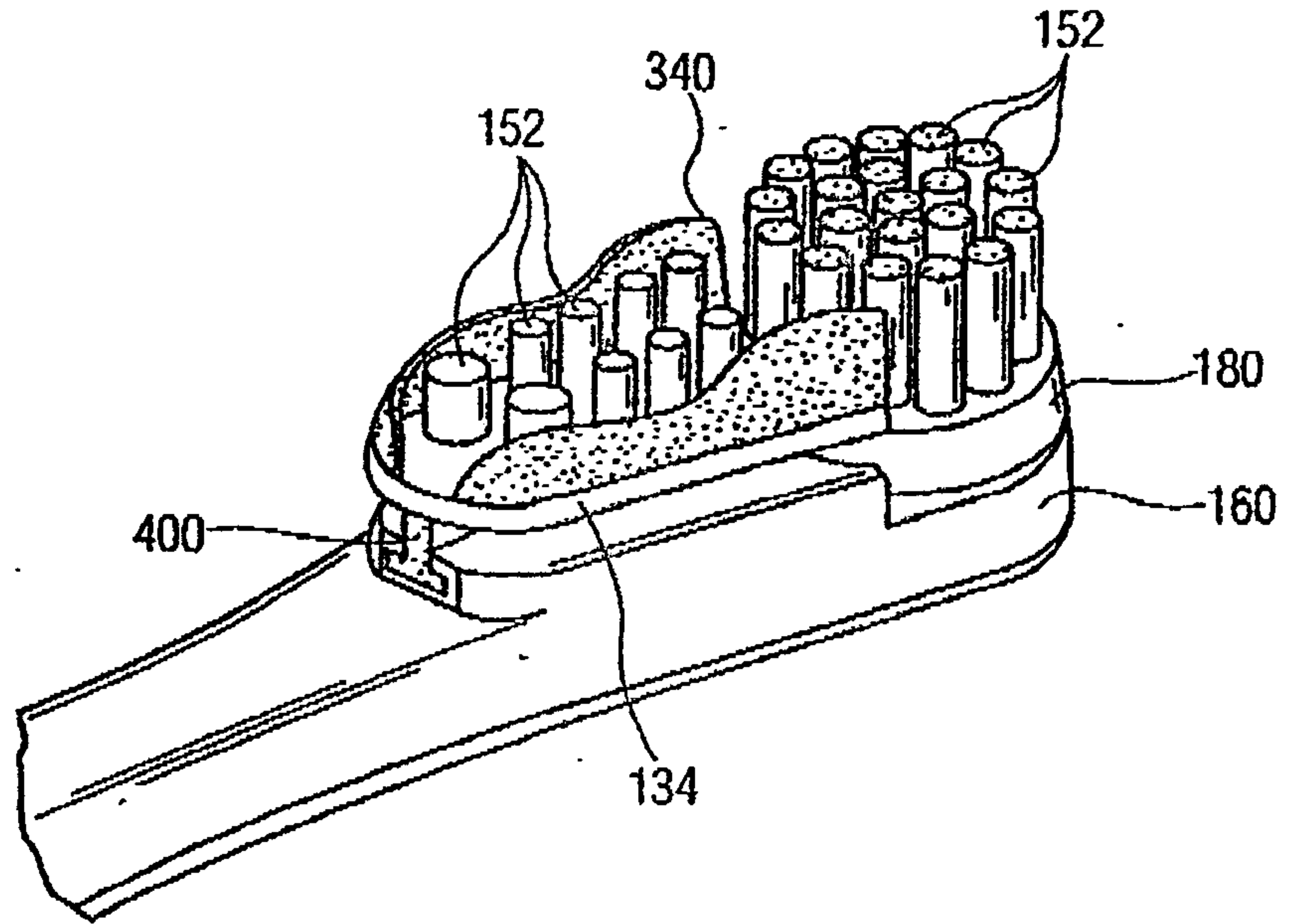


FIG. 16

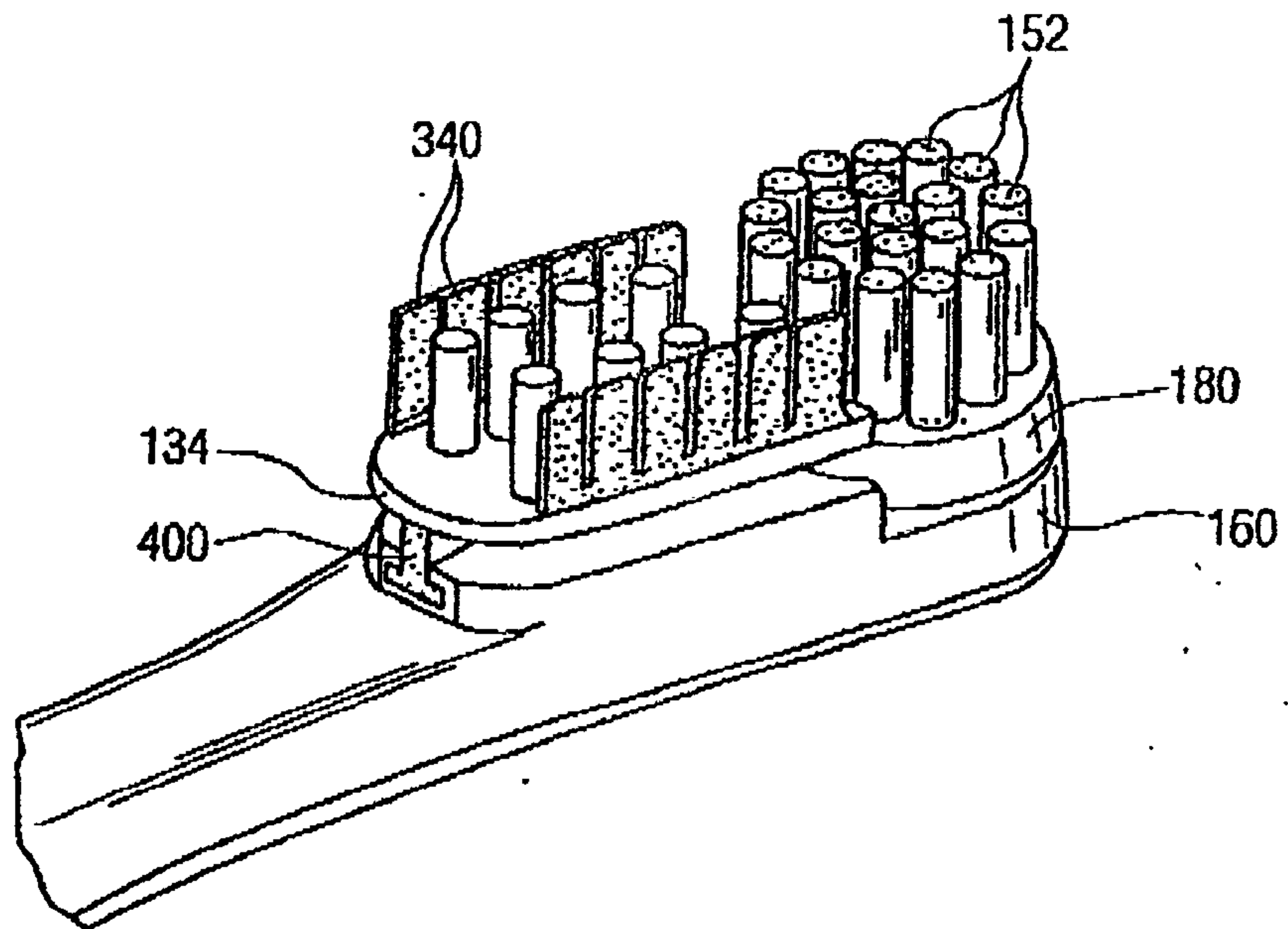


FIG. 17

WO 03/090639

PCT/US03/12558

13/14

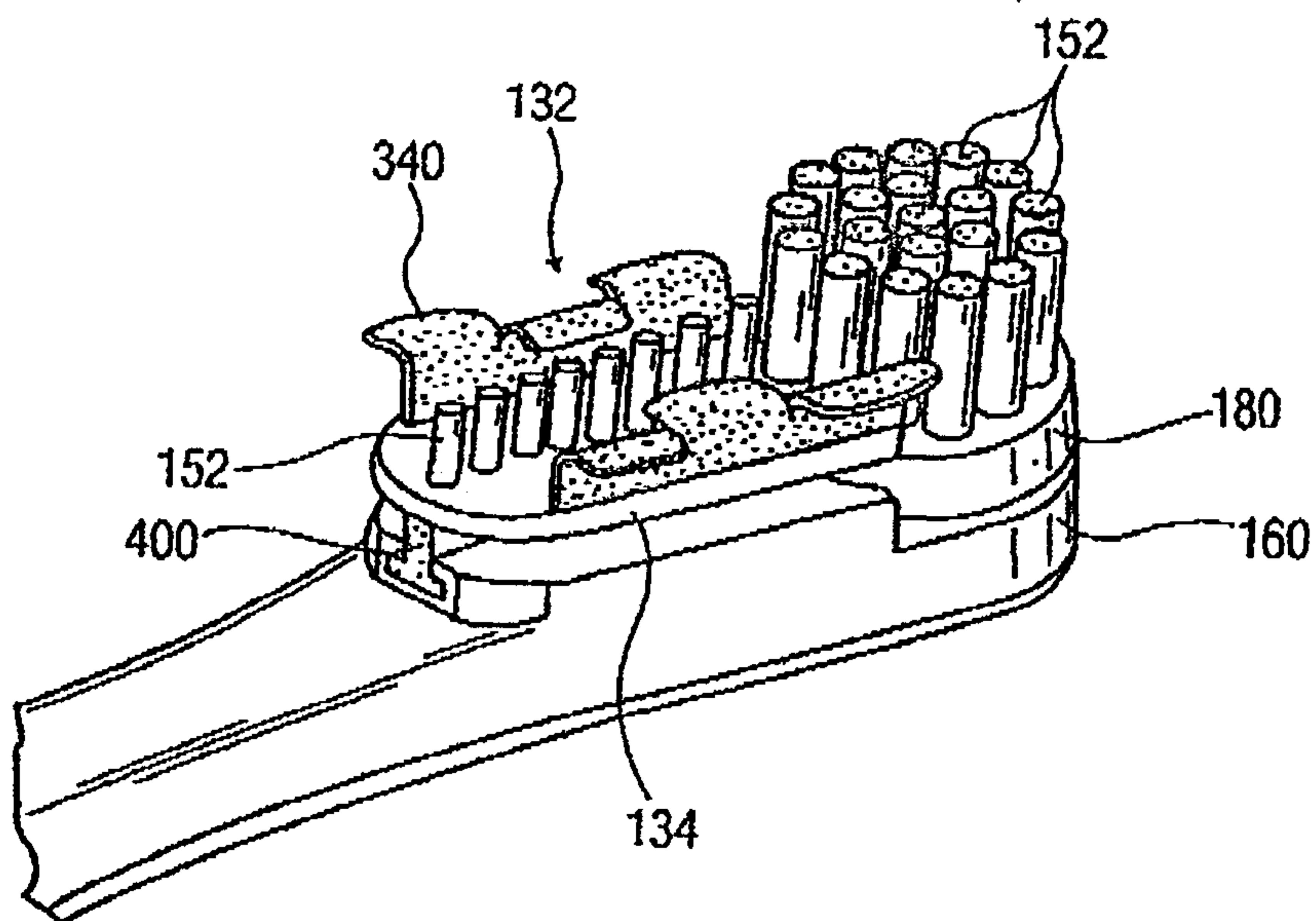


FIG. 18

WO 03/090639

PCT/US03/12558

14/14

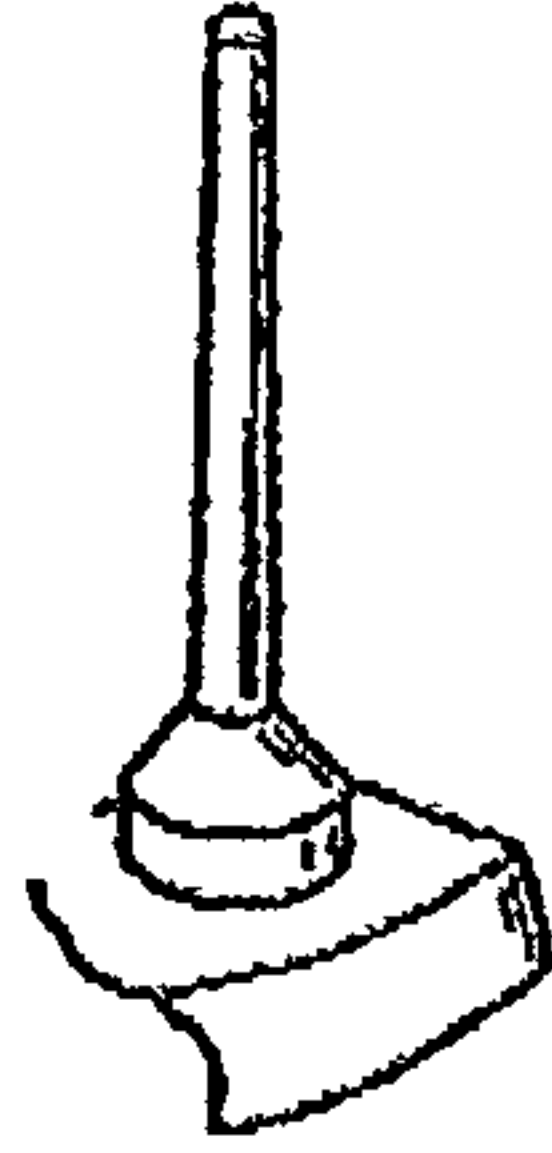


FIG. 19A

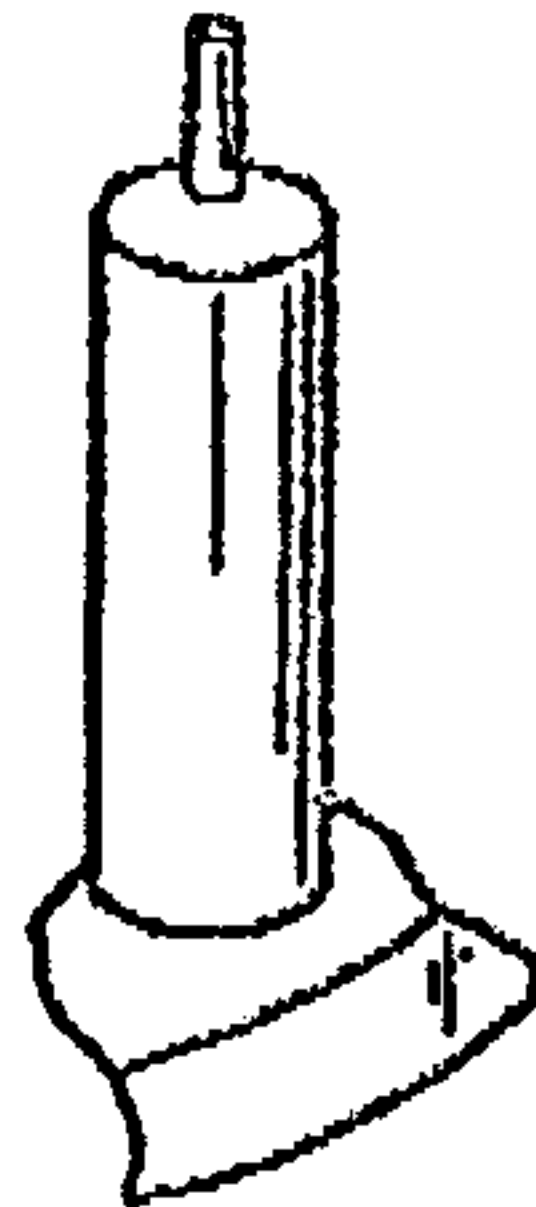


FIG. 19B

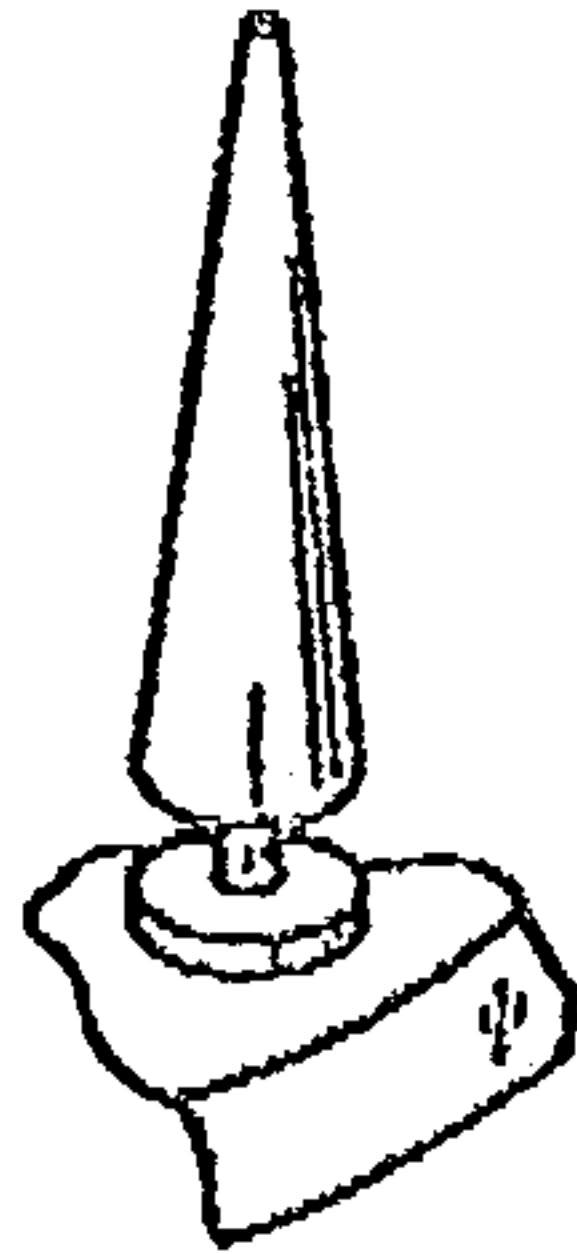


FIG. 19C

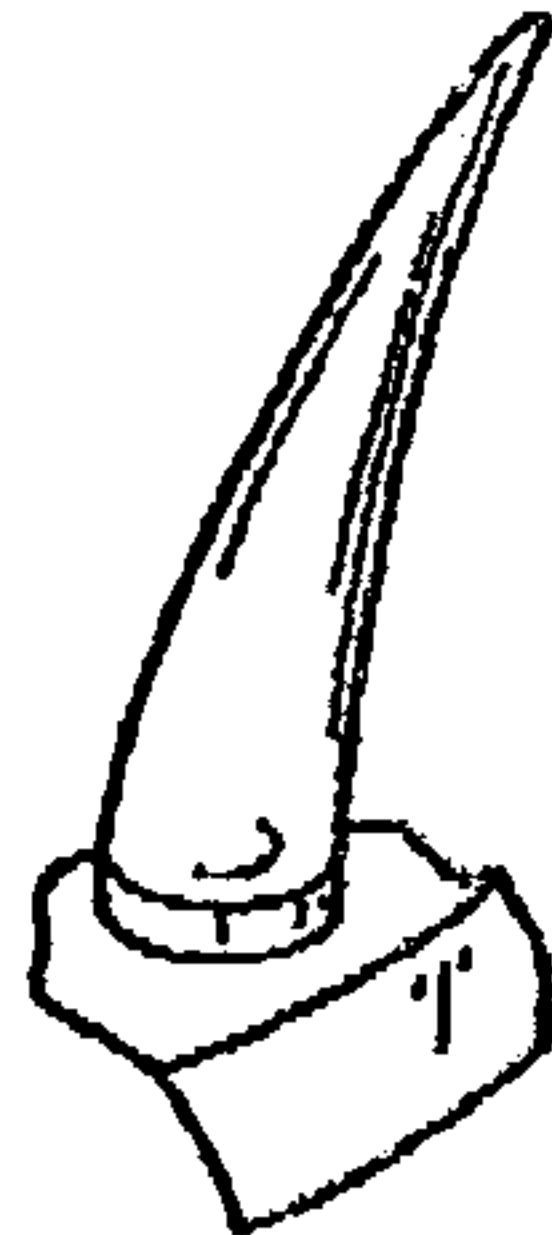


FIG. 19D

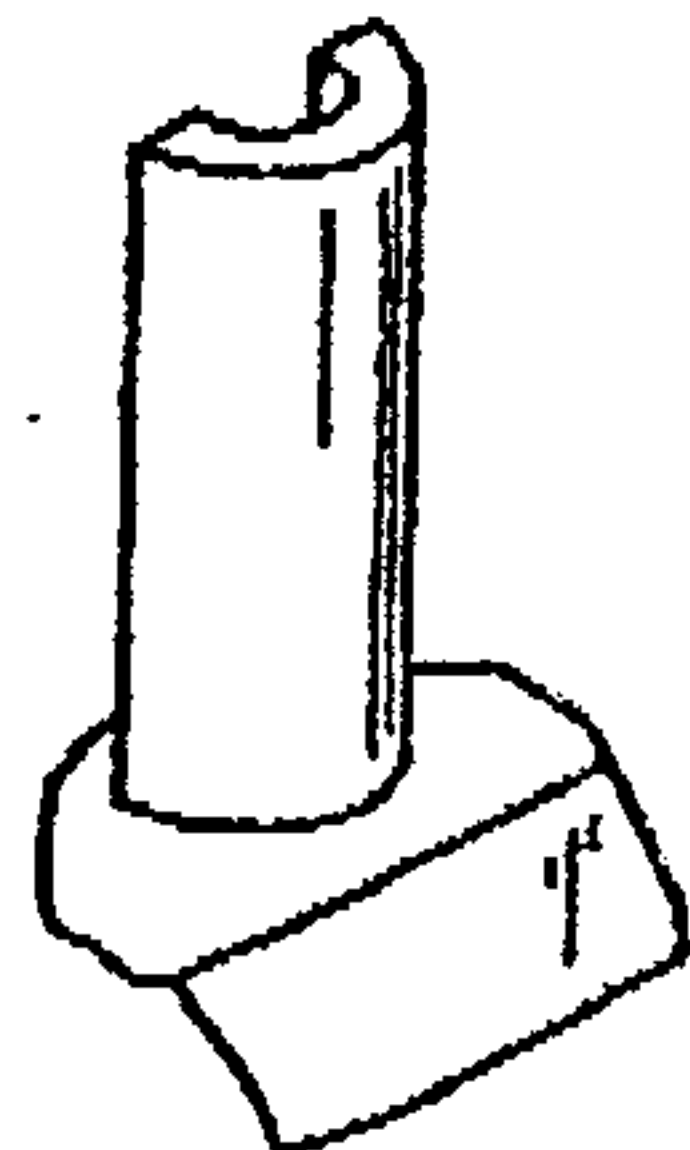


FIG. 19E

