



US00D746345S

(12) **United States Design Patent**  
**Kida et al.**

(10) **Patent No.:** **US D746,345 S**

(45) **Date of Patent:** **\*\* Dec. 29, 2015**

(54) **STAMP MOLDING MACHINE**  
(71) Applicant: **SHACHIHATA INC.**, Nagoya-Shi,  
Aichi (JP)  
(72) Inventors: **Masaki Kida**, Tokyo (JP); **Motohide**  
**Imaizumi**, Tokyo (JP)  
(73) Assignee: **SHACHIHATA INC.**, Nagoya-shi (JP)  
(\*\*) Term: **14 Years**

D357,484 S \* 4/1995 Montague et al. .... D15/135  
5,560,291 A \* 10/1996 Shu ..... 101/41  
5,911,806 A \* 6/1999 Bareis et al. .... 83/240  
6,065,325 A \* 5/2000 Tsai ..... 72/424  
6,345,526 B1 \* 2/2002 Deriaz et al. .... 72/408  
D532,431 S \* 11/2006 Kreuzer ..... D15/135  
D535,311 S \* 1/2007 Lee ..... D15/136  
7,467,535 B2 \* 12/2008 Kuno et al. .... 72/446  
8,074,568 B2 \* 12/2011 Paita et al. .... 101/27  
8,539,683 B2 \* 9/2013 Kuno ..... 33/18.1  
8,651,849 B2 \* 2/2014 Wagner et al. .... 425/385  
8,801,416 B2 \* 8/2014 Uneme ..... 425/78  
D731,568 S \* 6/2015 Lee ..... D15/145

(21) Appl. No.: **29/496,726**

(22) Filed: **Jul. 16, 2014**

(30) **Foreign Application Priority Data**

Jan. 17, 2014 (JP) ..... 2014-000744

(51) **LOC (10) Cl.** ..... **15-09**

(52) **U.S. Cl.**  
USPC ..... **D15/135**

(58) **Field of Classification Search**  
USPC ..... D15/128, 135, 136, 137  
See application file for complete search history.

(56) **References Cited**

U.S. PATENT DOCUMENTS

1,744,770 A \* 1/1930 Jahn ..... 101/91  
2,351,281 A \* 6/1944 Nachemov ..... 101/110  
3,094,926 A \* 6/1963 Mintz ..... 101/318  
3,186,890 A \* 6/1965 Dorn et al. .... 156/354  
D250,426 S \* 11/1978 Behling et al. .... D21/528  
4,171,735 A \* 10/1979 Zuhlke et al. .... 192/134  
D331,248 S \* 11/1992 Yeh ..... D15/135  
D336,479 S \* 6/1993 Shinagawa et al. .... D15/135  
D343,177 S \* 1/1994 Levy et al. .... D15/135  
D354,303 S \* 1/1995 Noonan et al. .... D18/15

FOREIGN PATENT DOCUMENTS

JP 1031992 S 2/1999  
JP 1073707 S 6/2000

\* cited by examiner

*Primary Examiner* — Patricia Palasik

(74) *Attorney, Agent, or Firm* — Westerman, Hattori,  
Daniels & Adrian, LLP

(57) **CLAIM**

The ornamental design for a stamp molding machine, as shown and described.

**DESCRIPTION**

FIG. 1 is a front, right side isometric view of a stamp molding machine showing our new design; FIG. 2 is a front elevational view thereof; FIG. 3 is a rear elevational view thereof; FIG. 4 is a left side elevational view thereof; FIG. 5 is a right side elevational view thereof; FIG. 6 is a top plan view thereof; and, FIG. 7 is a bottom plan view thereof.

**1 Claim, 4 Drawing Sheets**

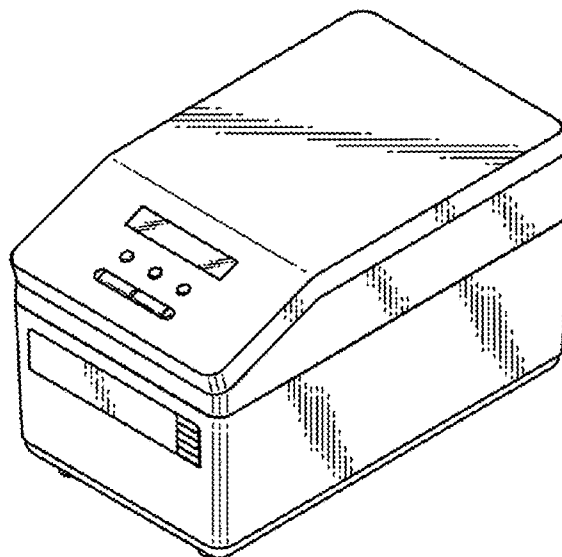


FIG.1

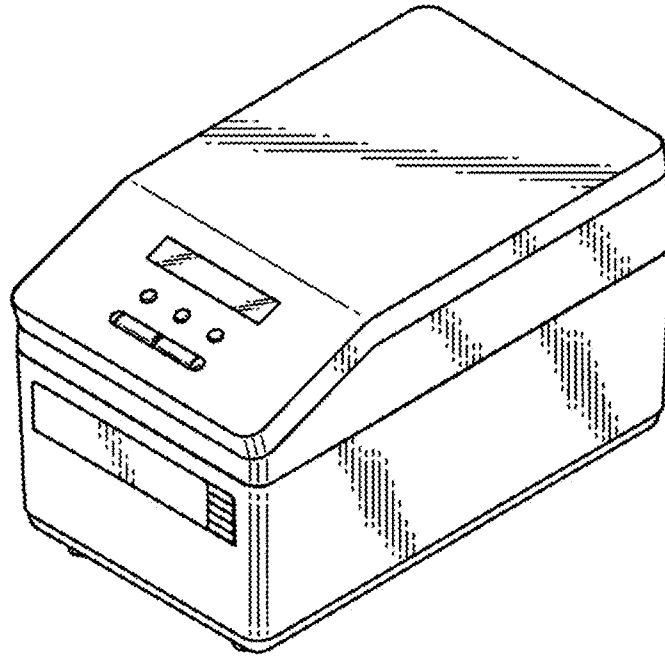


FIG.2

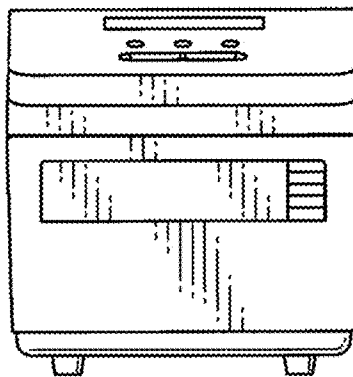


FIG.3

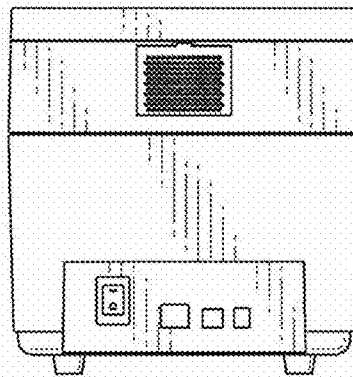


FIG.4

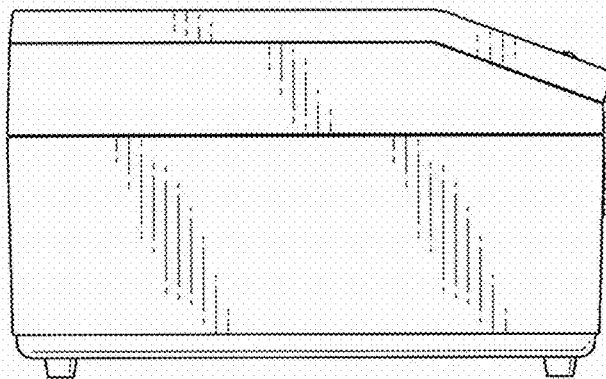


FIG.5

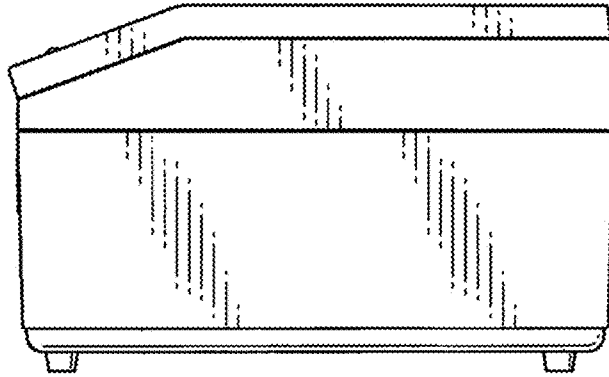


FIG.6

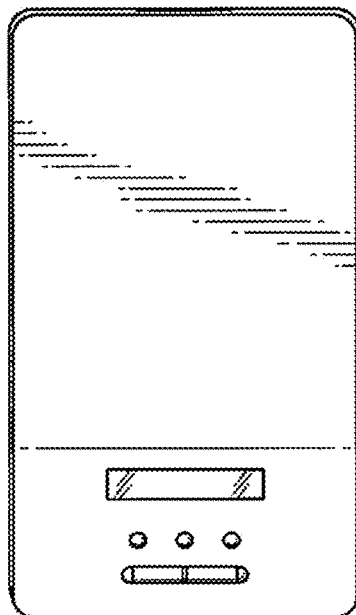


FIG. 7

