



(12) **United States Design Patent**
Lee

(10) **Patent No.:** **US D972,700 S**
(45) **Date of Patent:** **** Dec. 13, 2022**

(54) **AROMA DIFFUSER**

(71) Applicant: **PUZHEN LIFE CO., LTD**, Hong Kong (HK)

(72) Inventor: **Andy Lee**, Hong Kong (HK)

(73) Assignee: **PUZHEN LIFE CO., LTD**, Hong Kong (HK)

(**) Term: **15 Years**

(21) Appl. No.: **29/758,841**

(22) Filed: **Nov. 18, 2020**

(30) **Foreign Application Priority Data**

Jun. 10, 2020 (HK) 2016310.9

(51) **LOC (13) Cl.** **23-04**

(52) **U.S. Cl.**
USPC **D23/366**

(58) **Field of Classification Search**
USPC D23/205, 332, 333, 351-369; D7/300.1, D7/506, 510, 532; D11/143, 146; D14/188, 194, 195, 197, 203.2, 203.6, D14/204, 209, 213, 215, 216, 221, 228, D14/496, 511; D32/30; D26/37, 40, 41, D26/49, 124, 128, 137; D24/231; D29/126

CPC F24F 6/02; F24F 6/12; A61L 9/03; A61L 9/04; A61L 9/05; A61L 9/12; A61L 9/14; A61L 9/012; A61L 9/015; A61L 9/048; A61L 9/127; A61L 2209/133; Y10S 261/88; Y10S 261/89; A47G 7/06

See application file for complete search history.

(56) **References Cited**

U.S. PATENT DOCUMENTS

| | | | |
|--------------|---------|------------------------|---------|
| D812,209 S * | 3/2018 | Farone | D23/355 |
| D829,313 S * | 9/2018 | Cho | D23/364 |
| D829,689 S * | 10/2018 | Kim | D14/216 |
| D864,150 S * | 10/2019 | Kim | D14/204 |
| D865,931 S * | 11/2019 | Ha | D23/356 |
| D865,932 S * | 11/2019 | Ha | D23/356 |
| D888,919 S * | 6/2020 | Riering-Czekalla | D23/364 |
| D925,719 S * | 7/2021 | Lee | D23/366 |
| D936,196 S * | 11/2021 | Xu | D23/356 |

* cited by examiner

Primary Examiner — Gino Colan
Assistant Examiner — David OBrien

(57) **CLAIM**

The ornamental design for an aroma diffuser, as shown and described.

DESCRIPTION

FIG. 1 is a front elevational view of an aroma diffuser showing my new design;

FIG. 2 is a rear elevational view thereof;

FIG. 3 is a left side view thereof;

FIG. 4 is a right side view thereof;

FIG. 5 is a top plan view thereof;

FIG. 6 is a bottom plan view thereof;

FIG. 7 is a top and front perspective view thereof;

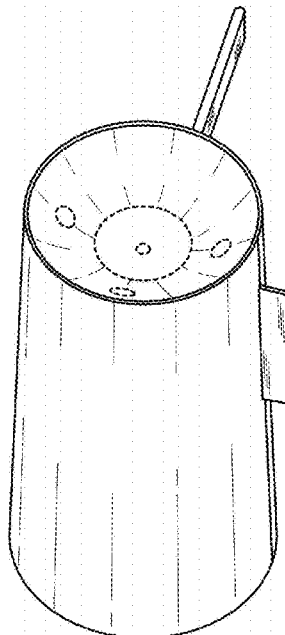
FIG. 8 is a bottom and rear perspective view thereof;

FIG. 9 is a top, front and right side perspective view thereof; and,

FIG. 10 is a bottom, rear and left side perspective view thereof.

The broken lines in the drawings illustrate portions of the aroma diffuser which form no part of the claimed design.

1 Claim, 10 Drawing Sheets



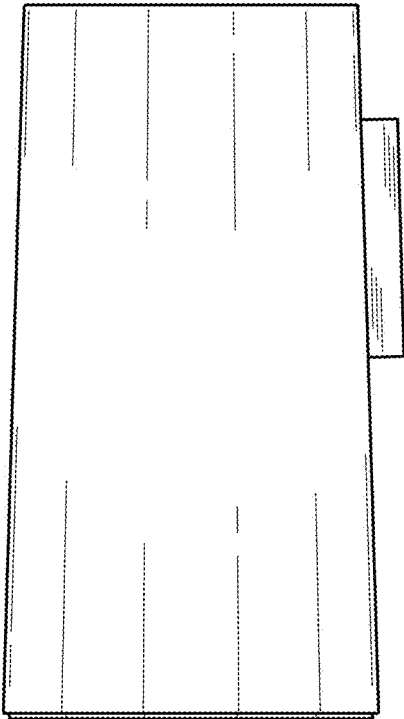


FIG. 1

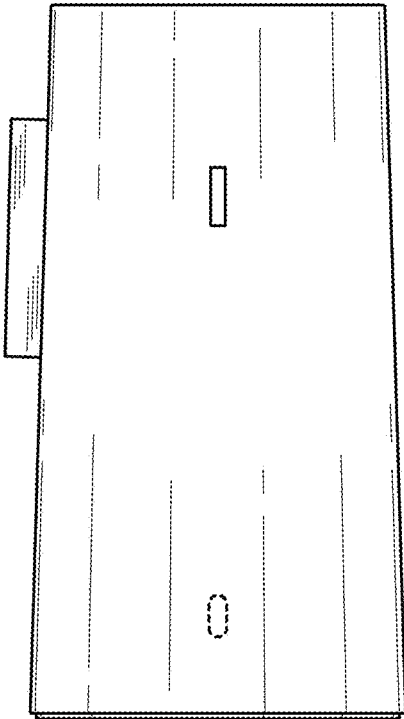


FIG. 2

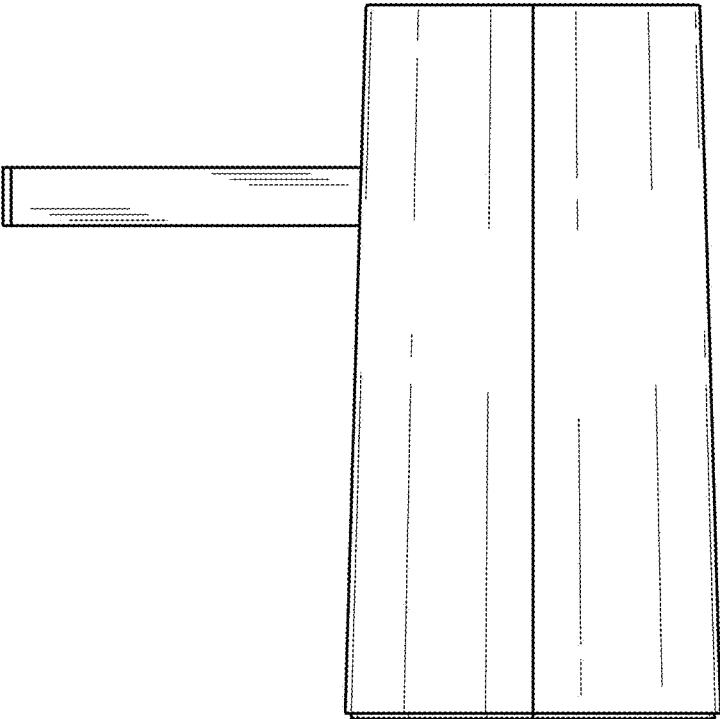


FIG. 3

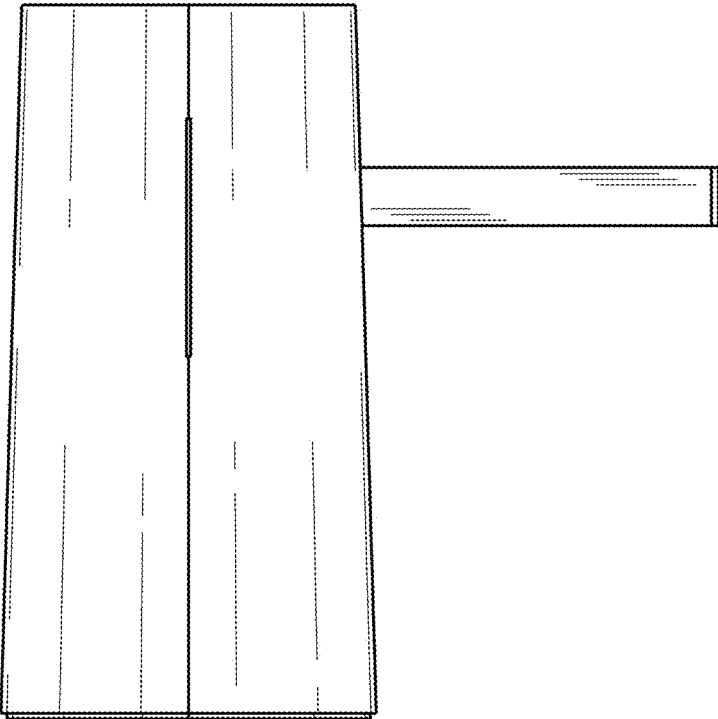


FIG. 4

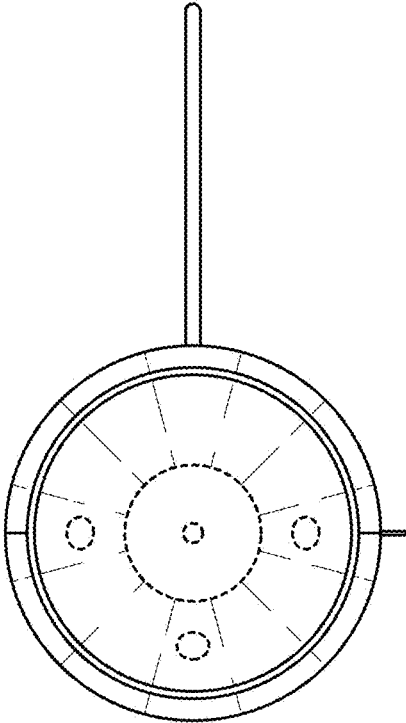


FIG. 5

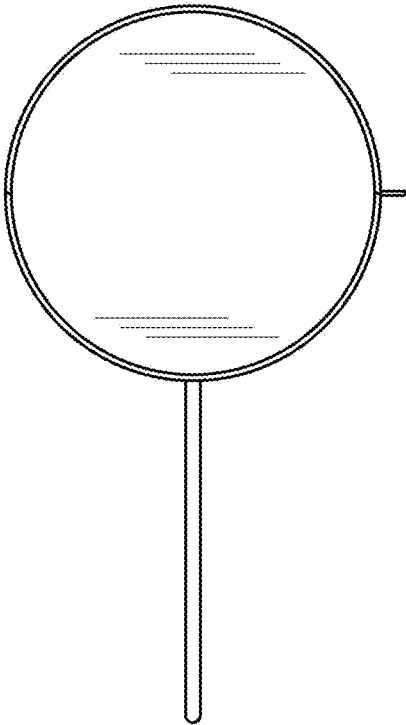


FIG. 6

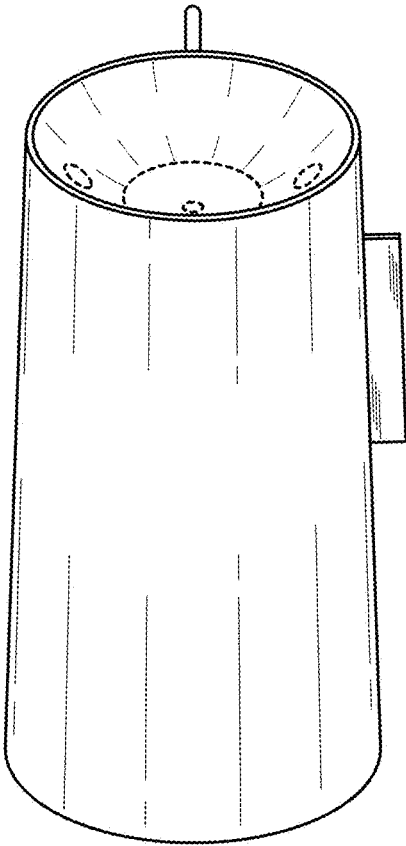


FIG. 7

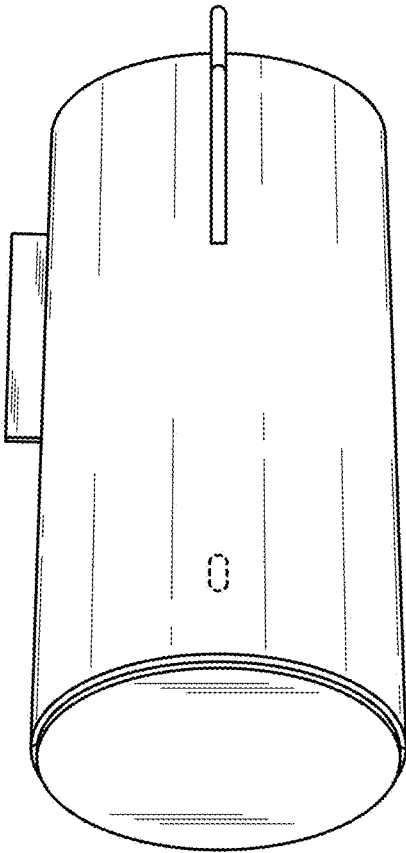


FIG. 8

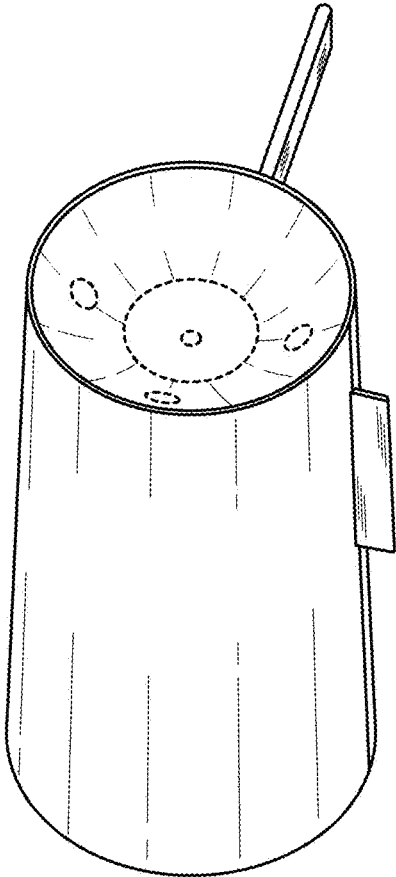


FIG. 9

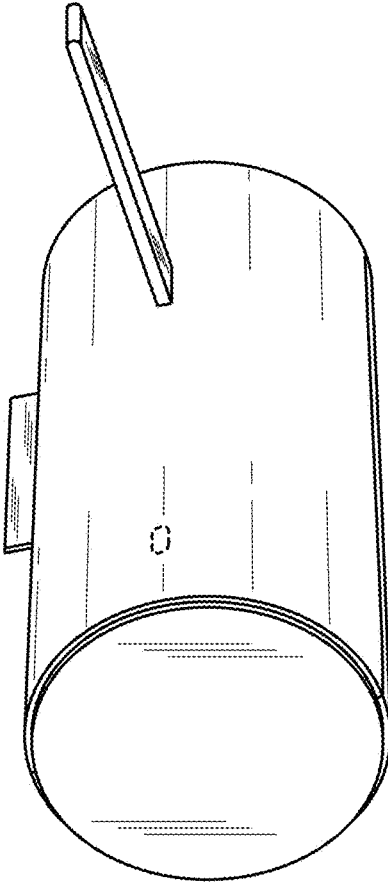


FIG. 10