



US00D990746S

(12) **United States Design Patent**
Browning

(10) **Patent No.:** **US D990,746 S**

(45) **Date of Patent:** **** Jun. 27, 2023**

(54) **LAMP**

OTHER PUBLICATIONS

(71) Applicant: **RH US, LLC**, Corte Madera, CA (US)

Wall Sconce, posted at Amazon, date first available Dec. 27, 2018. Site visited Mar. 20, 2023. Available from internet, URL: https://www.amazon.com/dp/B07MKP24NG?ref_=cm_sw_r_cp_ud_dp_4D0TWN6Y79NY5P2QYS2P (Year: 2018).*

(72) Inventor: **John Richard Browning**, San Francisco, CA (US)

Lutec, posted at Amazon, date first available Dec. 18, 2019. Site visited Mar. 20, 2023. Available from internet, URL: https://www.amazon.com/dp/B082W4PSZ5?ref_=cm_sw_r_cp_ud_dp_QWH1869NSZ6ZTHVY0NTP (Year: 2019).*

(73) Assignee: **RH US, LLC**, Corte Madera, CA (US)

(**) Term: **15 Years**

(Continued)

(21) Appl. No.: **29/760,963**

Primary Examiner — Samantha Wood

(22) Filed: **Dec. 4, 2020**

Assistant Examiner — Vanessa Martinez

(51) **LOC (14) Cl.** **26-05**

(74) *Attorney, Agent, or Firm* — Lewis Roca Rothgerber Christie LLP

(52) **U.S. Cl.**

USPC **D26/85**

(58) **Field of Classification Search**

USPC D26/24, 51, 60, 64–66, 72, 73, 81–88,
D26/92, 93, 104, 105, 110, 112
CPC F21S 8/00; F21S 8/03; F21S 8/033; F21S
8/036; F21S 13/00; F21S 13/02; F21S
13/14; F21W 2131/10; F21W 2131/107;
F21W 2131/109

(57) **CLAIM**

The ornamental design for a lamp, as shown and described.

See application file for complete search history.

DESCRIPTION

(56) **References Cited**

U.S. PATENT DOCUMENTS

2,291,488	A	*	7/1942	Naysmith	F21V 17/00	
						362/222	
D208,659	S	*	9/1967	Koziol	D26/71	
D244,310	S	*	5/1977	Dunning	D26/85	
D417,926	S	*	12/1999	Meck	D26/87	
D483,143	S	*	12/2003	Orozco	D26/87	
D646,832	S	*	10/2011	Chen	D26/85	
D671,669	S	*	11/2012	Orozco	D26/128	
D687,178	S	*	7/2013	Grandsart	D26/85	
D706,971	S	*	6/2014	Walsh	D26/87	
D712,083	S	*	8/2014	Crosby	D26/85	
D713,089	S	*	9/2014	Orozco	D26/85	

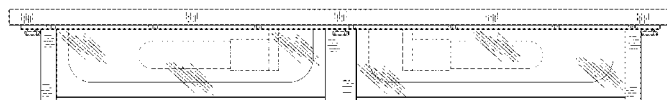
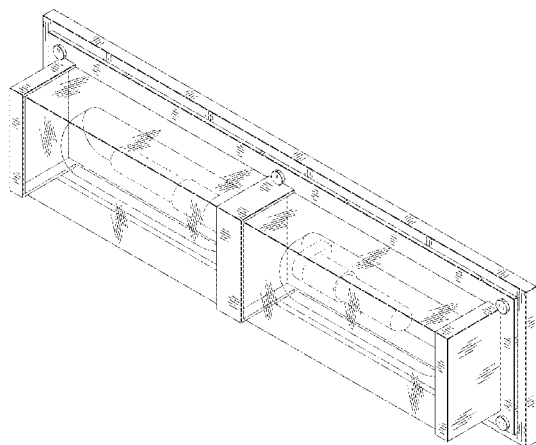
(Continued)

FOREIGN PATENT DOCUMENTS

GB	6096360	*	7/2020	
GB	6096487	*	7/2020	

FIG. 1 is a perspective view of a first embodiment of a lamp showing my new design;
FIG. 2 is a top plan view thereof, the bottom plan view being a mirror image;
FIG. 3 is a front view thereof;
FIG. 4 is a right side view thereof, the left side view being a mirror image;
FIG. 5 is a perspective view of a second embodiment of a lamp showing my new design;
FIG. 6 is a top plan view thereof, the bottom plan view being a mirror image;
FIG. 7 is a front view thereof; and,
FIG. 8 is a right side view thereof, the left side view being a mirror image.
FIGS. 5-7 include break lines and those portions of the article between the break lines form no part of the claimed design. The short broken lines represent environmental subject matter and form no part of the claimed design.

1 Claim, 6 Drawing Sheets



(56)

References Cited

U.S. PATENT DOCUMENTS

D782,098	S *	3/2017	Orozco	D26/85
D830,608	S *	10/2018	Amato	D26/85
D837,436	S *	1/2019	Orozco	D26/85
D838,401	S *	1/2019	Joyeux	D26/85
D861,200	S *	9/2019	Browning	D26/8
D887,067	S *	6/2020	Dulley	D26/85
10,670,203	B1 *	6/2020	Glazer	F21V 17/002
D892,383	S *	8/2020	McDennon	D26/87
D906,576	S *	12/2020	Kim	D26/87
D913,564	S *	3/2021	Glazer	F21S 8/036 D26/87
D932,678	S *	10/2021	Dulley	D26/85
D950,130	S *	4/2022	Browning	D26/85
11,441,764	B1 *	9/2022	Zhu	F21V 31/00
2021/0131650	A1 *	5/2021	Crawford	F21V 17/18

OTHER PUBLICATIONS

Gold Wall Sconce, date first available Nov. 10, 2021. Site visited Mar. 20, 2023. Available from internet, URL: https://www.amazon.com/dp/B09LH74VM5?_encoding=UTF8&psc=1&ref_=cm_sw_r_cp_ud_dp_XPV54B7B01C6G59DD4J0 (Year: 2023).*

Savile, posted at alimialight. Site visited Mar. 20, 2023. Available from internet, URL: https://www.alimialight.com/products/savile-rectangular-linear-sconce?sku=18053836419612857159752107&utm_source=google&utm_medium=shopline-feed (Year: 2023).*

Hinkley Lighting, posted at dominionelectric. Site visited Apr. 18, 2023. Available from internet, URL: <https://shop.dominionelectric.com/buy/product/hinkley-lighting-656566-product-hinkley-lighting/656566> (Year: 2023).*

* cited by examiner

FIG. 1

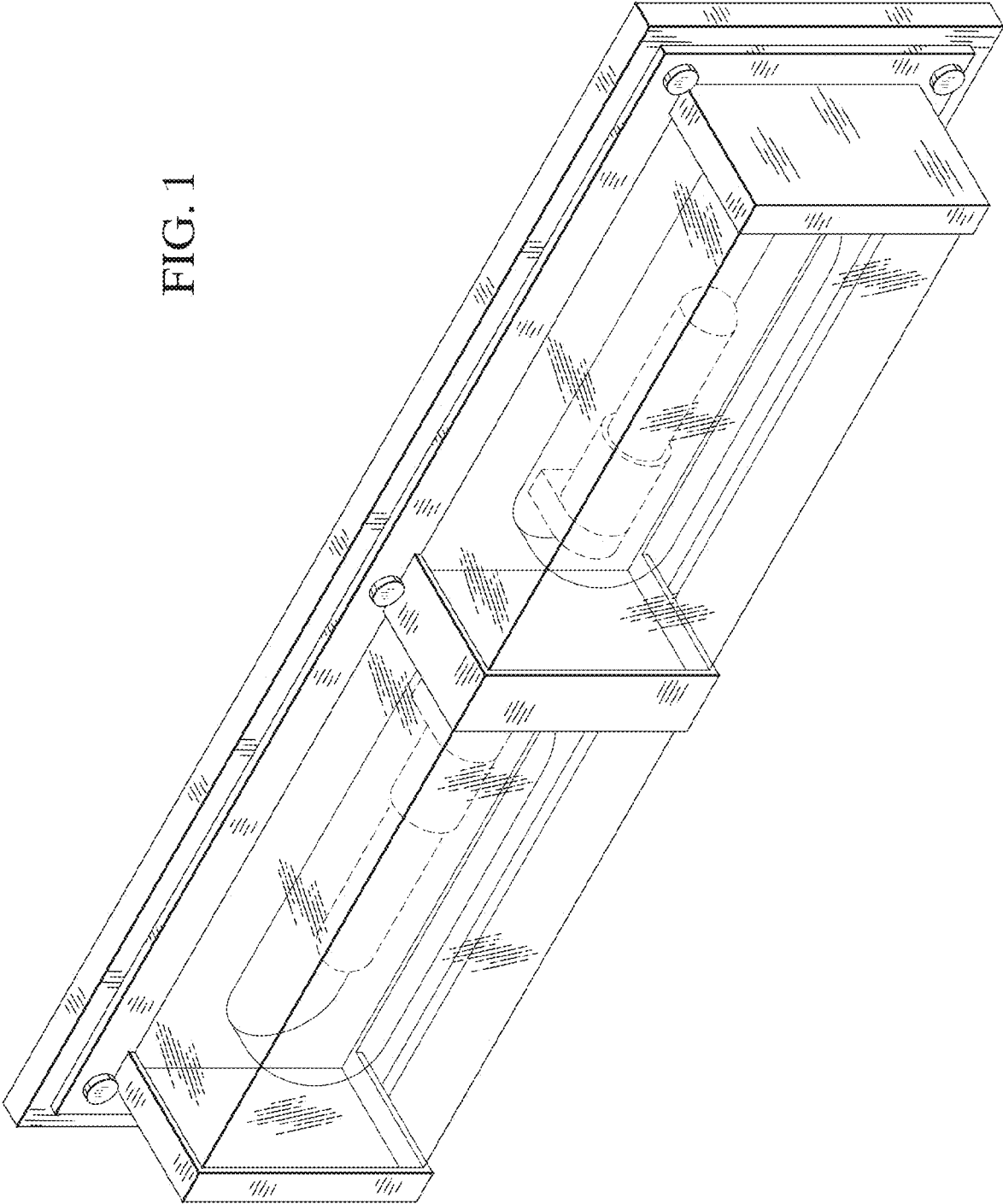


FIG. 2

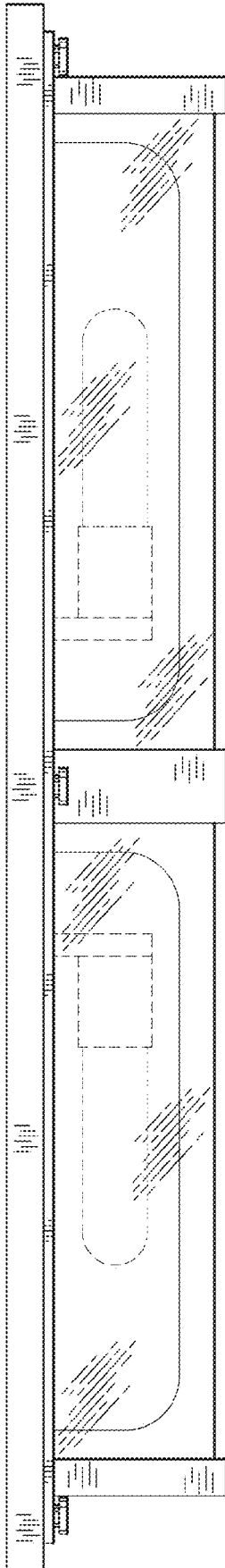


FIG. 3

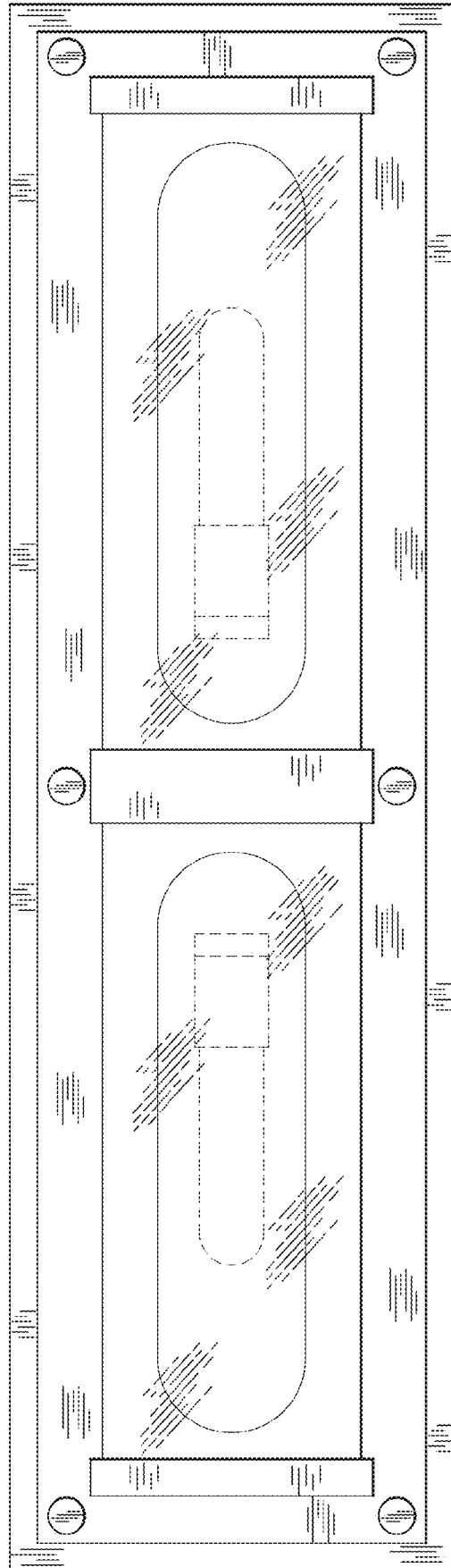


FIG. 4

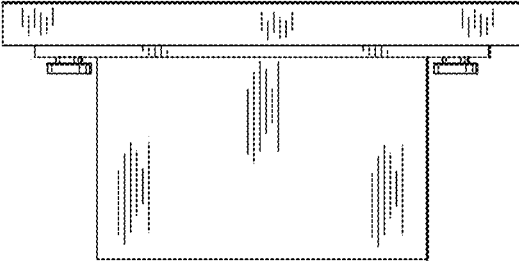


FIG. 5

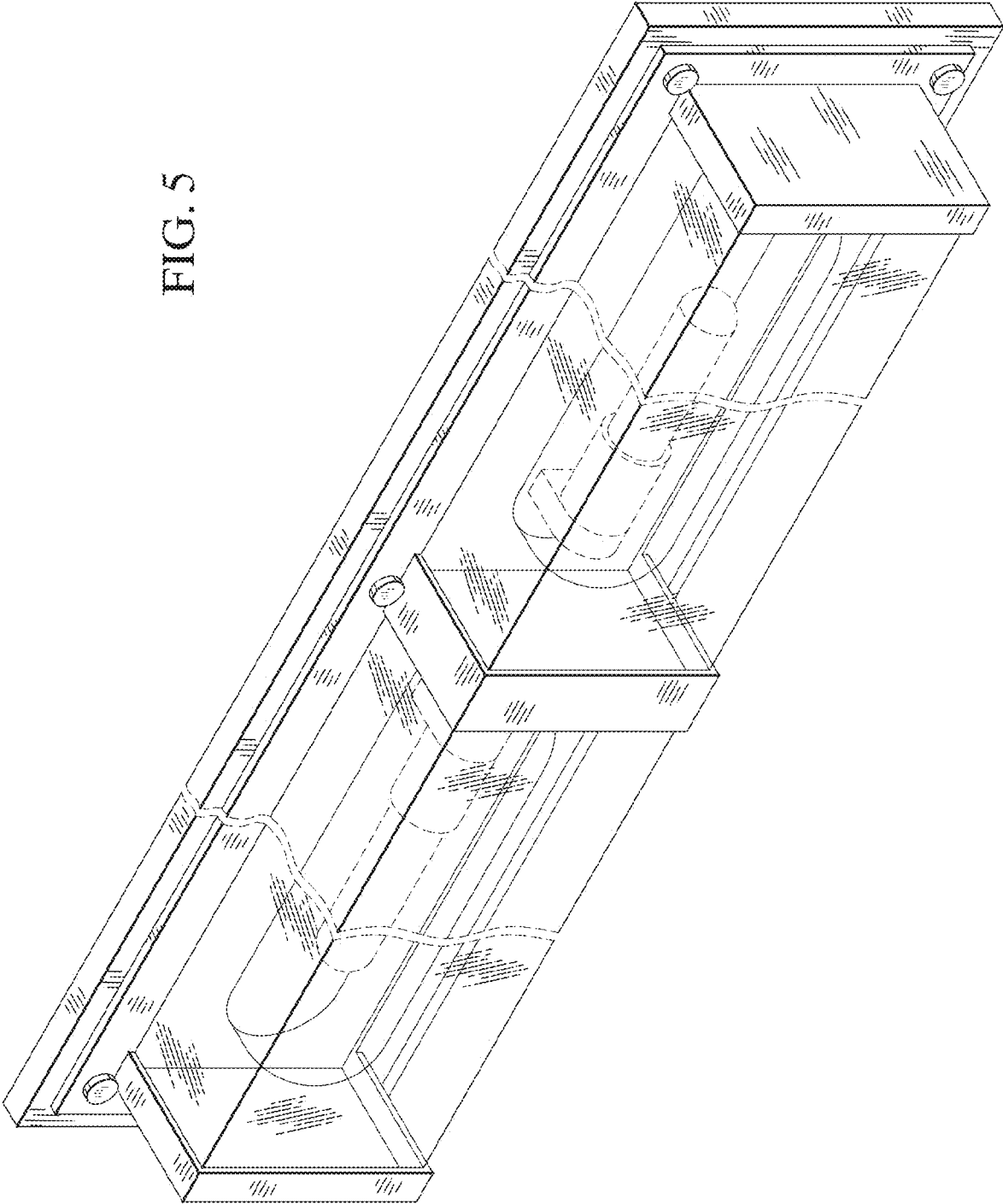


FIG. 6

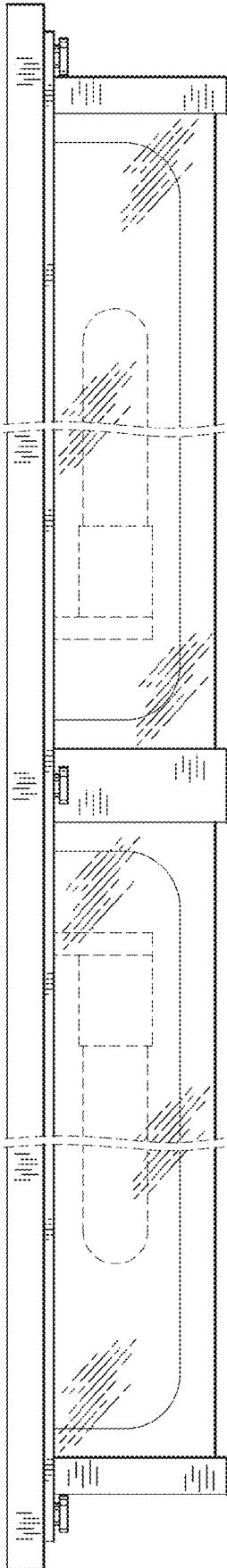


FIG. 7

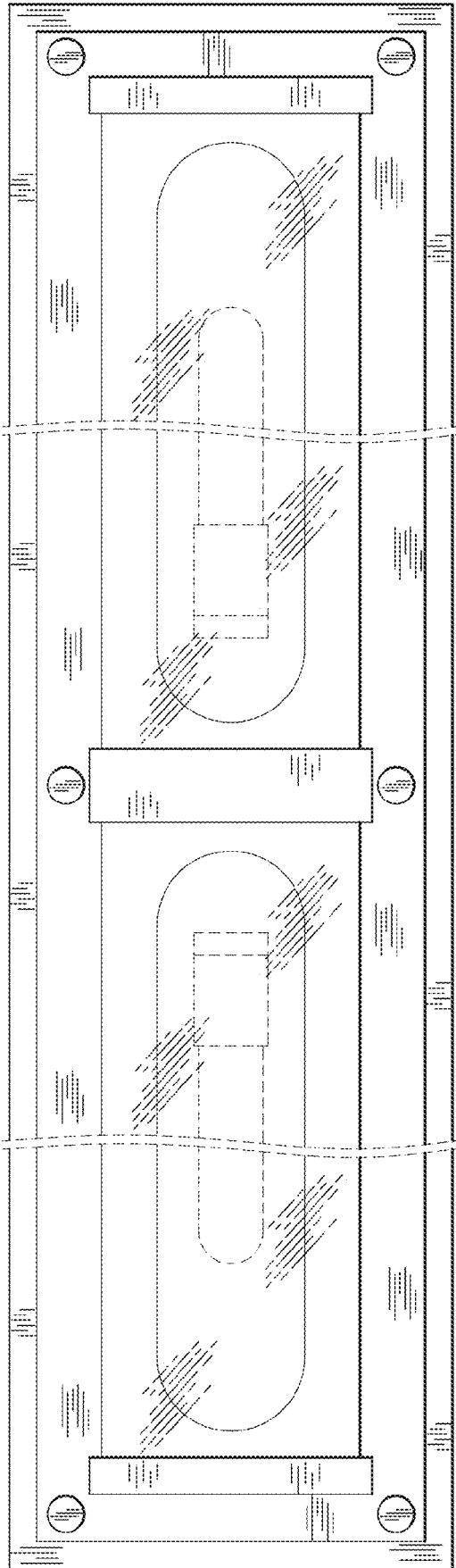


FIG. 8

