



US00D513331S

(12) **United States Design Patent**
Rosian

(10) **Patent No.:** **US D513,331 S**

(45) **Date of Patent:** **** Dec. 27, 2005**

(54) **COVER FOR RAIL ATTACHMENT**

(76) Inventor: **Michael J. Rosian**, P.O. Box 1041,
Orland Park, IL (US) 60462

(**) Term: **14 Years**

(21) Appl. No.: **29/195,638**

(22) Filed: **Dec. 15, 2003**

(51) **LOC (6) Cl.** **25-01**

(52) **U.S. Cl.** **D25/135**

(58) **Field of Search** D25/133, 135;
52/721.5, 723.2; 256/65.01, 65.02, 65.04,
65.05, 65.06

(56) **References Cited**

U.S. PATENT DOCUMENTS

D303,716	S	9/1989	Waller	D8/354
5,873,671	A	2/1999	West	403/232.1
6,311,957	B1	* 11/2001	Driscoll et al.	256/65.05
D456,087	S	* 4/2002	Merrick	D25/135
D458,389	S	* 6/2002	Abbestam	D25/133
6,471,192	B1	* 10/2002	Erwin	256/65.05
D493,993	S	8/2004	Roberts, III et al.	D6/550
2003/0030048	A1	2/2003	Quaintance et al.	256/59
2003/0164486	A1	9/2003	West	256/65.1

OTHER PUBLICATIONS

Cover from Kroy Building Products, Inc. of York, Nebraska.
Cover from Homeland® Vinyl Fence Ltd. of Brampton,
Ontario, Canada.

* cited by examiner

Primary Examiner—Doris Clark

(74) *Attorney, Agent, or Firm*—McAndrews, Held & Malloy, Ltd.

(57) **CLAIM**

I claim the ornamental design for the cover for rail attachment, as shown and described.

DESCRIPTION

The nature and environmental use of the claimed design is as follows: The cover has an opening that receives an end of a rail. The cover hides or covers the attachment of the rail to a support post.

FIG. 1 is a perspective view of a cover for a rail attachment according to the present invention;

FIG. 2 is a top view of the cover for a rail attachment;

FIG. 3 is a right side view of the cover for a rail attachment;

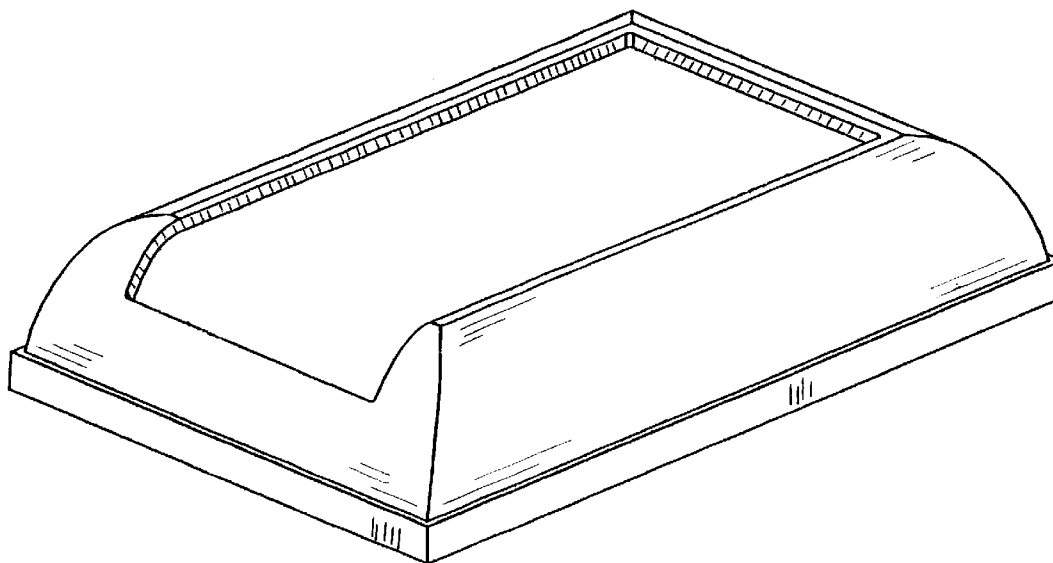
FIG. 4 is an inverted view of the left side of the cover for a rail attachment;

FIG. 5 is a front view of the cover for a rail attachment; and,

FIG. 6 is a rear view of the cover for a rail attachment.

Ordinarily, the bottom of the cover will not be visible when the cover is in use as a cover for a rail attachment.

1 Claim, 6 Drawing Sheets



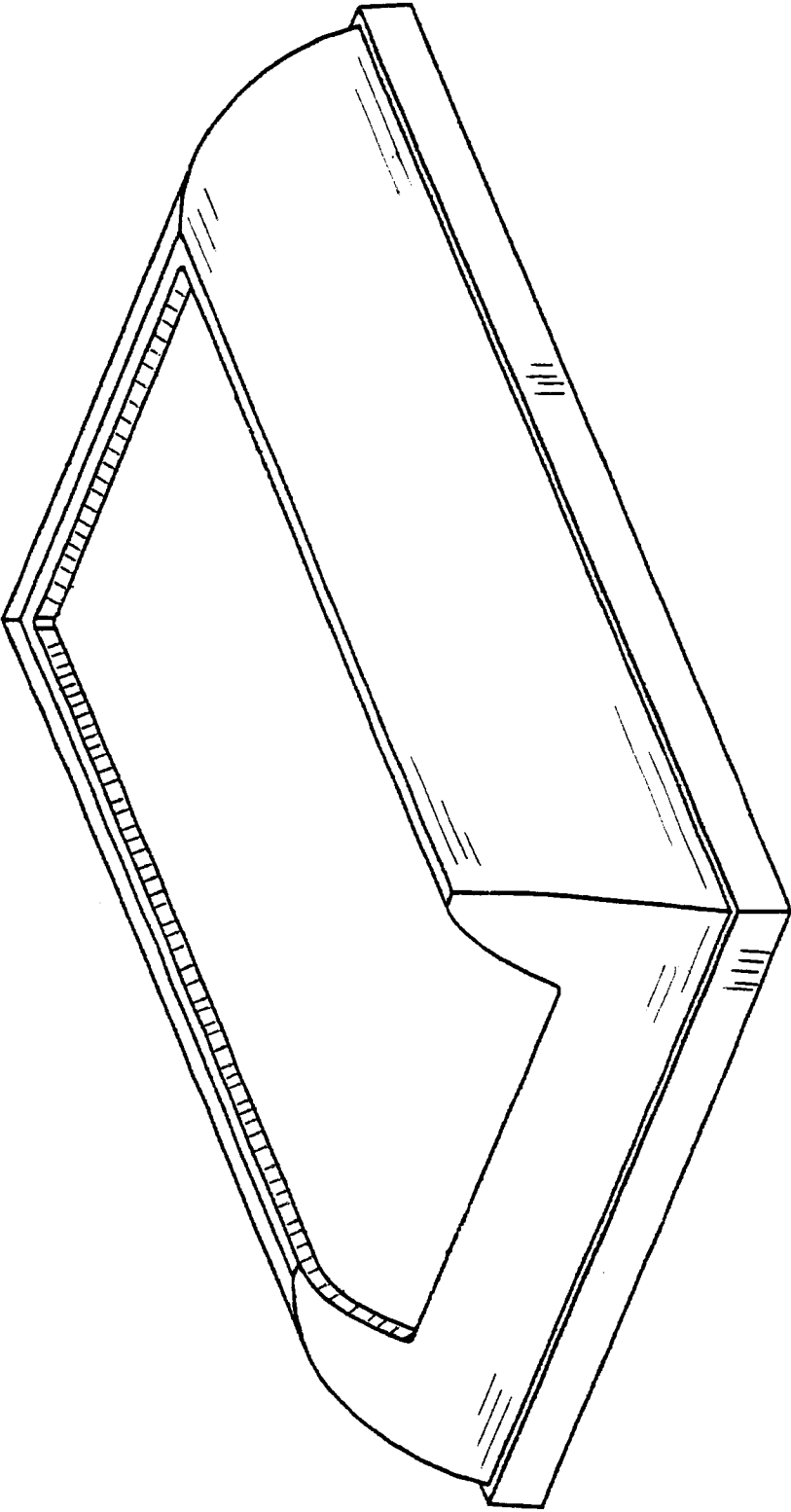


Figure 1

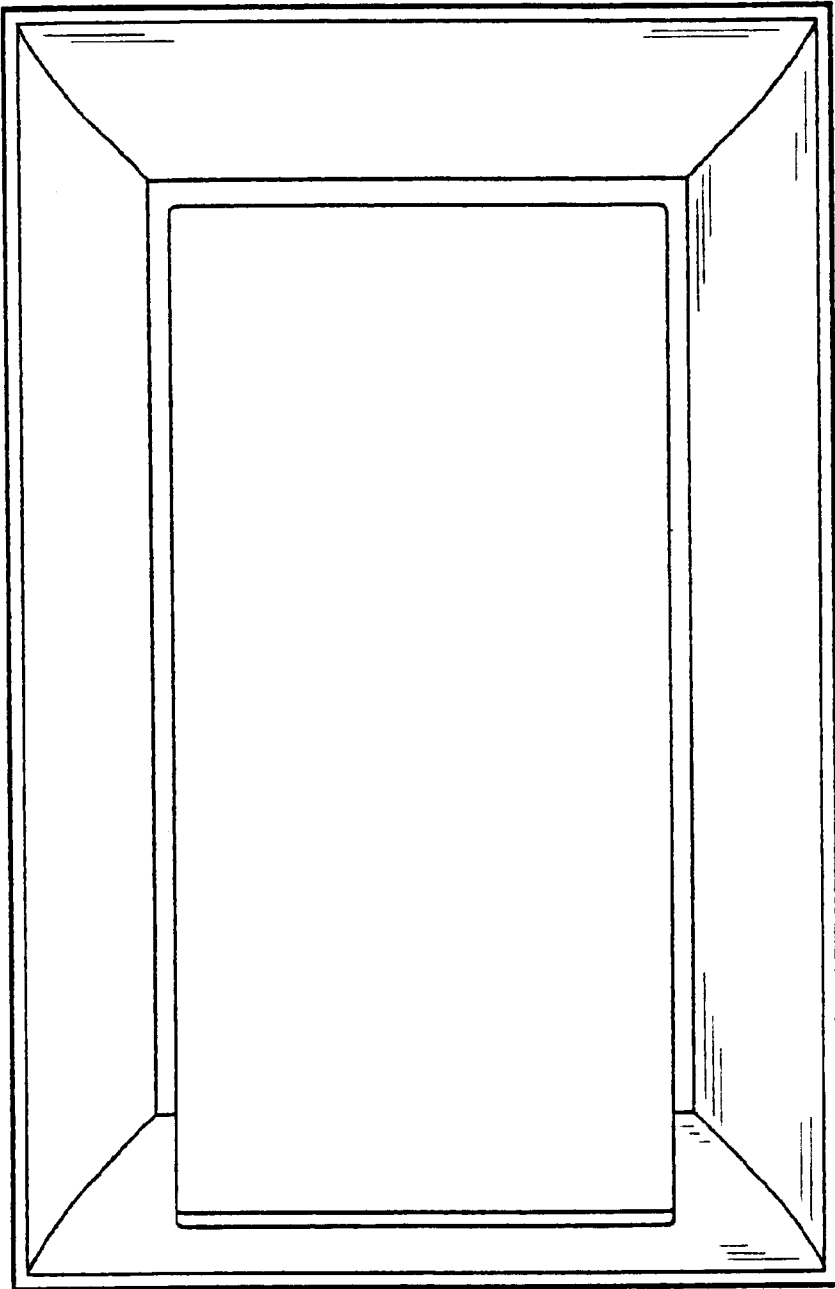


Figure 2

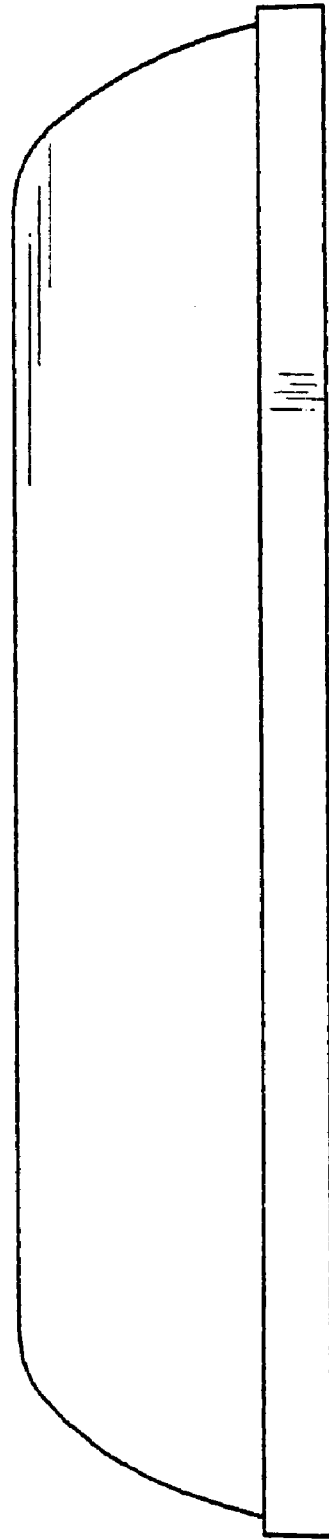


Figure 3

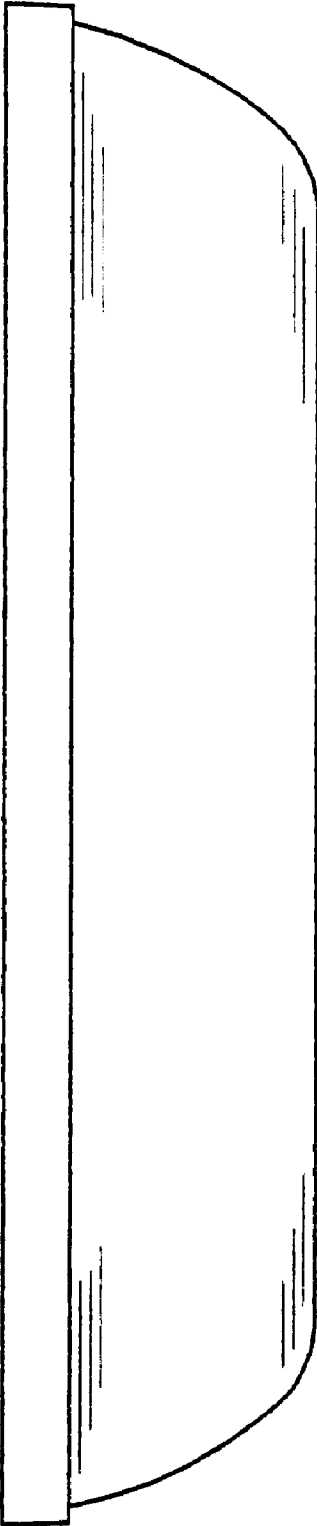


Figure 4

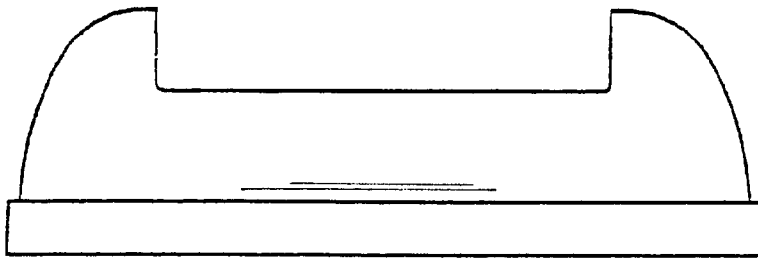


Figure 5

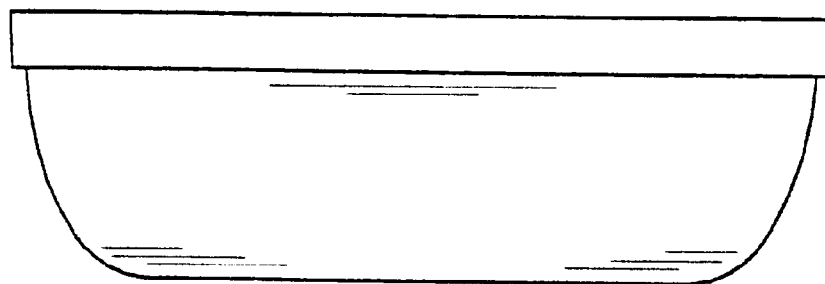


Figure 6