



US0D1051982S

(12) **United States Design Patent**
Wang

(10) **Patent No.:** **US D1,051,982 S**

(45) **Date of Patent:** **** Nov. 19, 2024**

(54) **DRUM**

(71) Applicant: **NINGBO KINLIN ELECTRONIC TECHNOLOGY CO., LTD.**, Ningbo (CN)

(72) Inventor: **Fuguo Wang**, Zhejiang (CN)

(**) Term: **15 Years**

(21) Appl. No.: **35/520,006**

(22) Filed: **Jan. 31, 2024**

(80) **Hague Agreement Data**

Int. Filing Date: **Jan. 31, 2024**
Int. Reg. No.: **DM/235028**
Int. Reg. Date: **Jan. 31, 2024**
Int. Reg. Pub. Date: **Feb. 16, 2024**

(30) **Foreign Application Priority Data**

Dec. 28, 2023 (CN) 202330862057.2

(51) **LOC (14) Cl.** **17-04**

(52) **U.S. Cl.**
USPC **D17/22**

(58) **Field of Classification Search**

USPC D17/22, 24, 99; D21/405, 406, 455
CPC G10D 13/00; G10D 13/01; G10D 13/02;
G10D 13/03; G10D 13/06; G10D 13/063;
G10D 13/065; G10D 13/10; G10D 13/12;
G10D 15/00; G10D 99/00; G10D 9/11;
A63H 5/00; A63H 1/18; A63H 1/28;
A63H 1/32

See application file for complete search history.

(56) **References Cited**

U.S. PATENT DOCUMENTS

D58,746 S * 8/1921 Gulick D17/22
D319,650 S * 9/1991 Hart 84/411 P
5,105,710 A * 4/1992 Rothmel G10D 13/02
84/DIG. 12

D464,986 S * 10/2002 Hagiwara D17/22
D507,014 S * 7/2005 Ito D17/22
D1,034,791 S * 7/2024 Hu D17/22
D1,035,765 S * 7/2024 Wang D17/22

(Continued)

FOREIGN PATENT DOCUMENTS

EP 1837860 A2 * 9/2007 G10D 13/024

OTHER PUBLICATIONS

Amazon. <https://www.amazon.ca/HXW-Electronic-Electric-Dual-zone-USB-MIDI/dp/B07ZFCSDLX?th=1>. "HXW SD61-5 Electric Drum Set Complete 8-Piece Electronic Drum Kit For Adults . . .". Dec. 2019 (Year: 2019).*

(Continued)

Primary Examiner — R. Johnson

(57) **CLAIM**

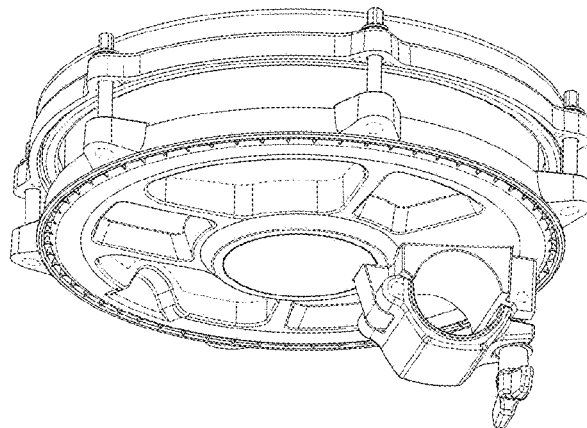
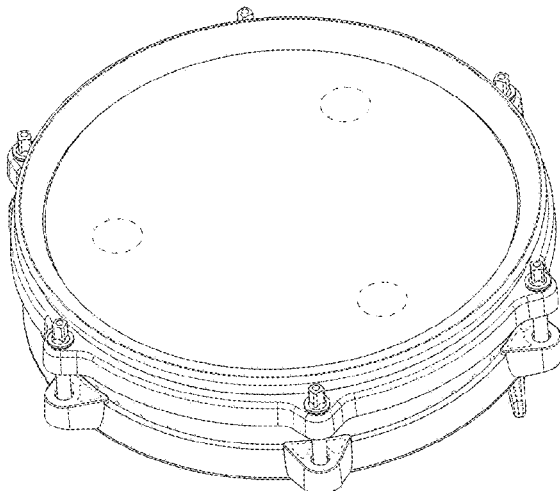
The ornamental design for a drum as shown and described.

DESCRIPTION

- 1.1** : Perspective
- 1.2** : Perspective
- 1.3** : Front
- 1.4** : Back
- 1.5** : Left
- 1.6** : Right
- 1.7** : Top
- 1.8** : Bottom

Fig. 1.1 is a front top perspective view of the drum; Fig. 1.2 is a rear bottom perspective view thereof; Fig. 1.3 is a front elevational view thereof; Fig. 1.4 is a rear elevational view thereof; Fig. 1.5 is a left-side elevational view thereof; Fig. 1.6 is a right-side elevational view thereof; Fig. 1.7 is a top plan view thereof; Fig. 1.8 is a bottom plan view thereof. The broken lines where present illustrate portions of the drum that form no part of the claimed design.

1 Claim, 8 Drawing Sheets



(56)

References Cited

U.S. PATENT DOCUMENTS

2010/0313732 A1* 12/2010 Yoshino G10D 13/16
84/413
2016/0196811 A1* 7/2016 Shen G10H 3/146
84/422.1

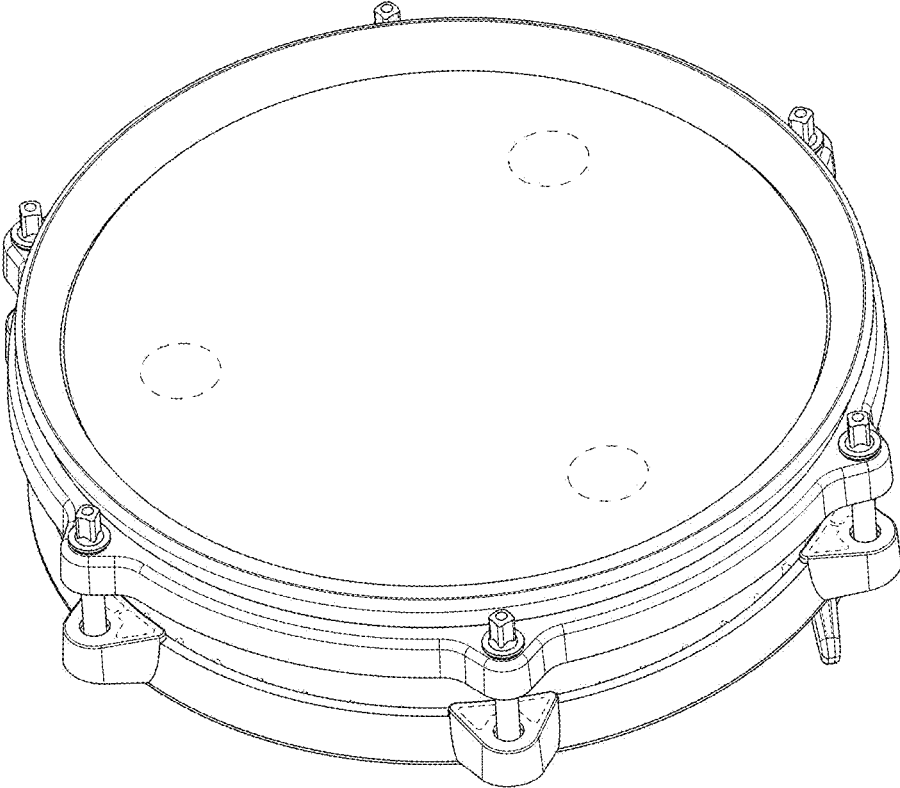
OTHER PUBLICATIONS

Sweetwater. <https://www.sweetwater.com/store/detail/CommandMeshSE--alesis-command-special-edition-mesh-electronic-drum-set>. "Alesis Command Mesh Special-edition Electronic Drum Set". Date Unknown: Viewed Sep. 2024 (Year: 2024).*

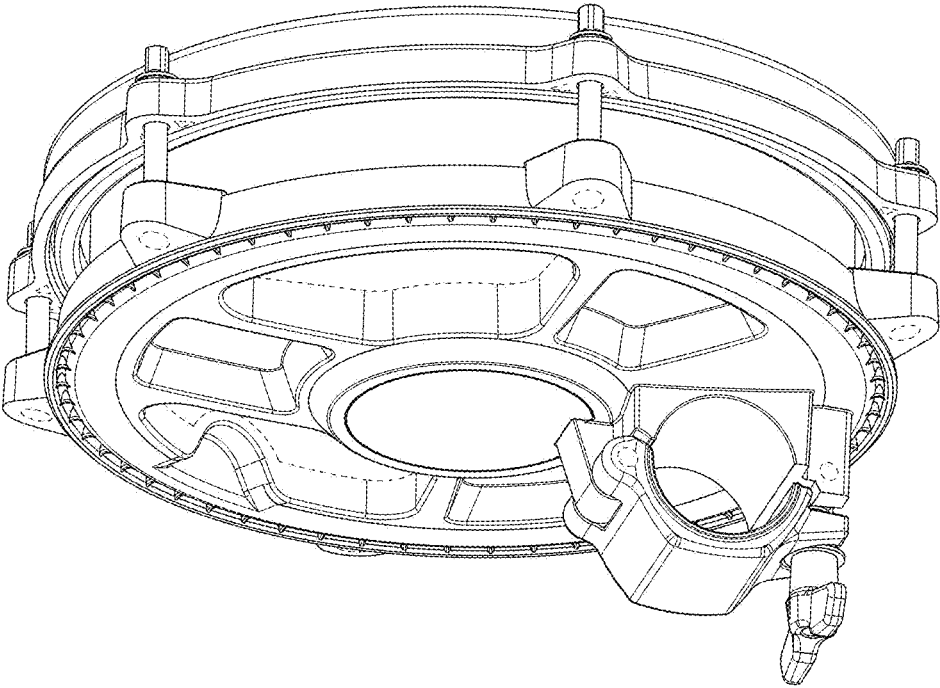
Amazon. <https://www.amazon.co.uk/Digital-Drums-Compact-Electronic-Gear4music/dp/B08D7KJLFZ>. "Disc Digital Drums 400X Compact Mesh Electronic Drum Kit by Gear4music." Jul. 2020 (Year: 2020).*

* cited by examiner

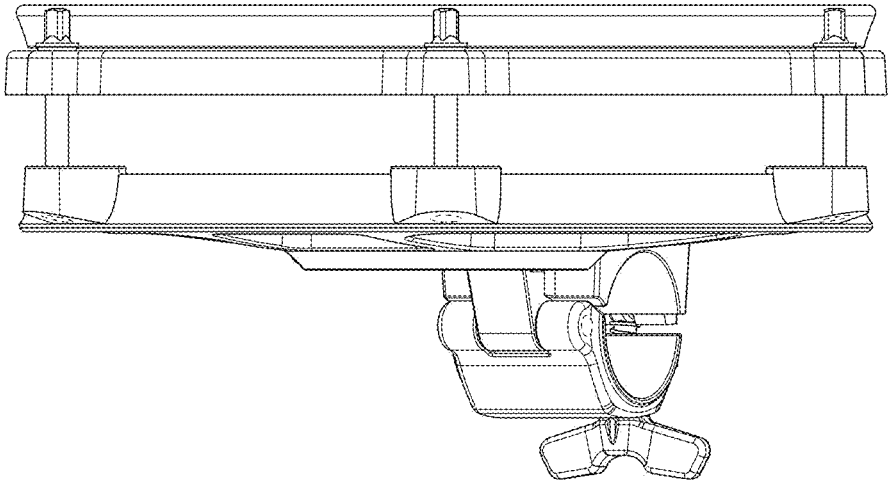
1.1



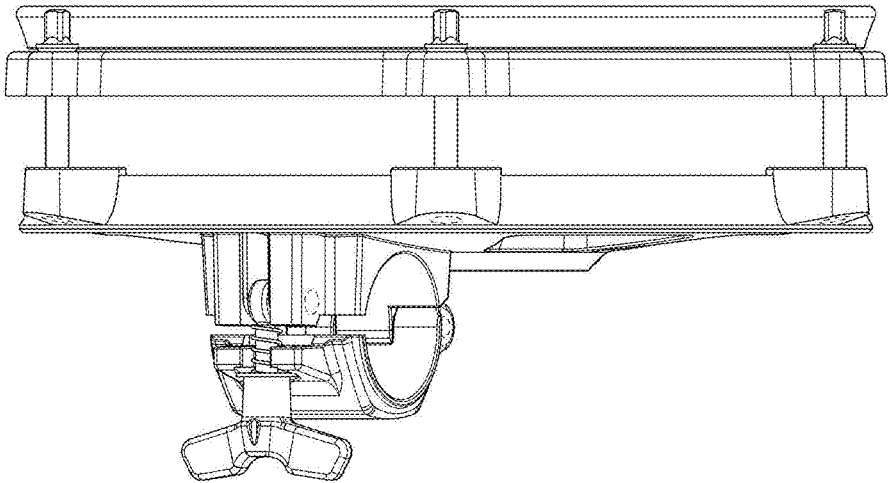
1.2



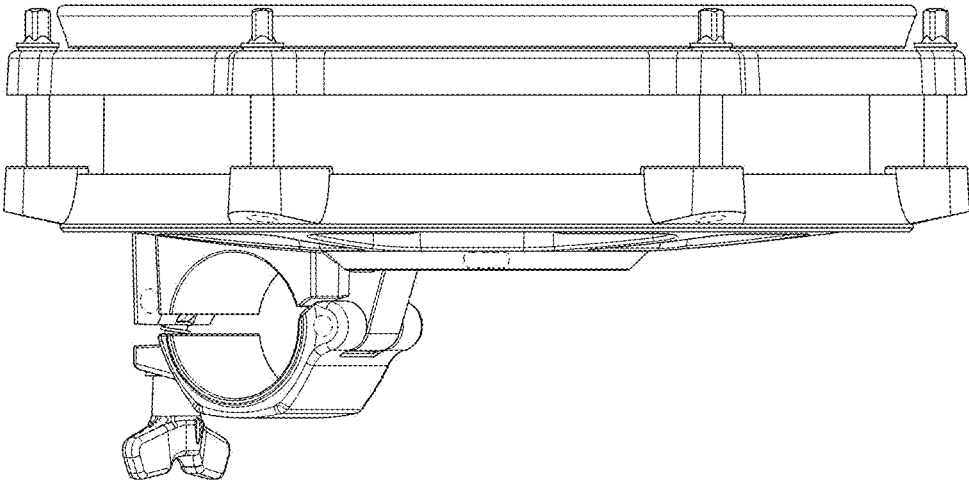
1.3



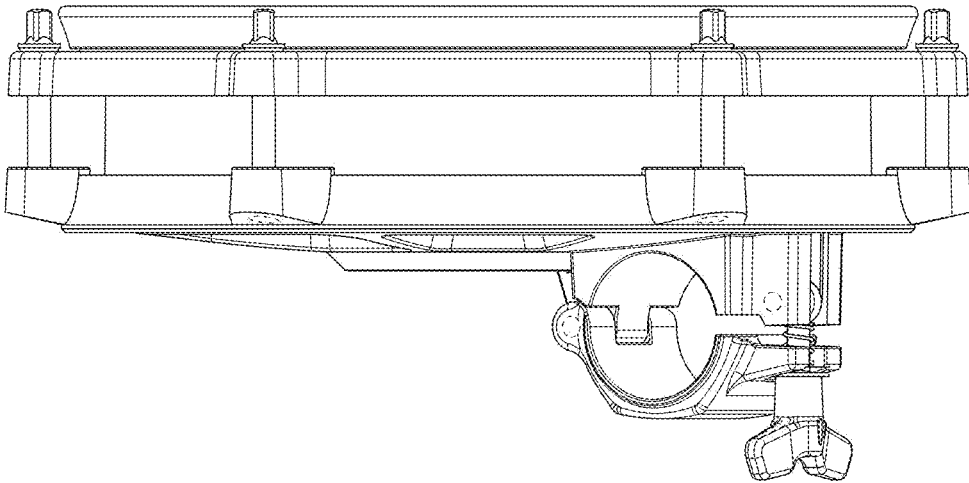
1.4



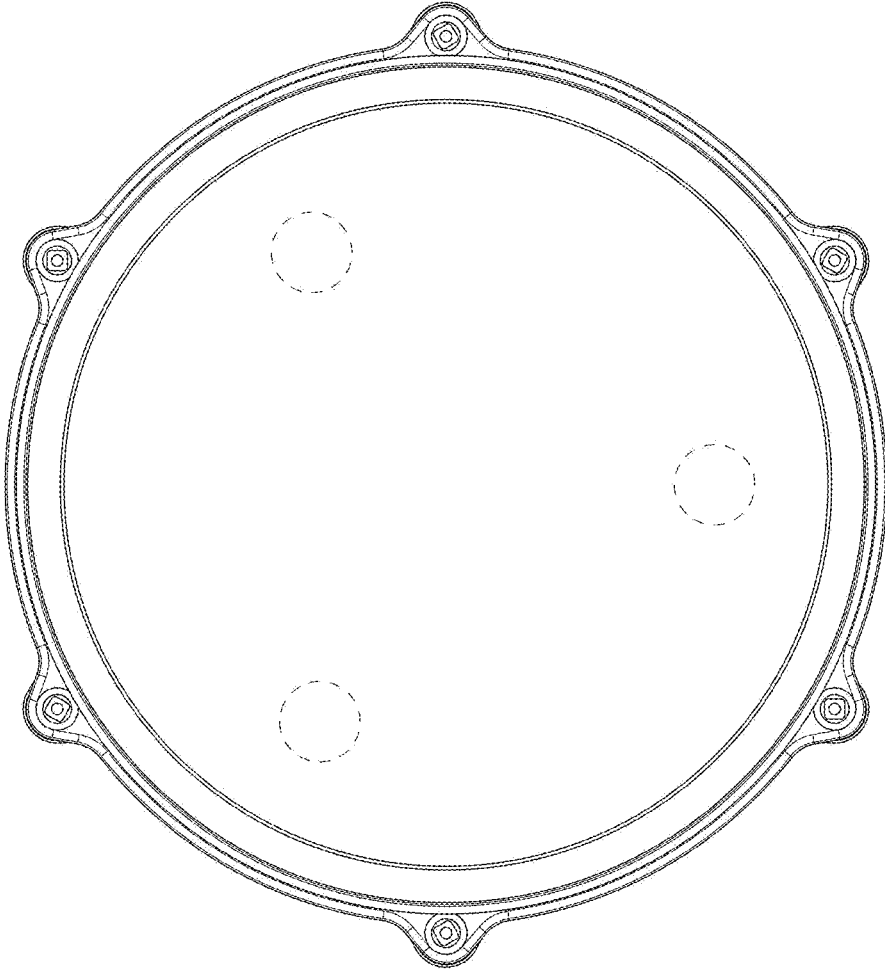
1.5



1.6



1.7



1.8

