



(43) International Publication Date
25 September 2014 (25.09.2014)

(51) International Patent Classification:

H02P 27/06 (2006.01) H02M 7/19 (2006.01)
H02P 29/02 (2006.01) H02M 7/493 (2007.01)
H02M 1/12 (2006.01) H02M 7/521 (2006.01)
H02M 5/45 (2006.01) H02P 25/02 (2006.01)
H02M 7/17 (2006.01)

(21) International Application Number:

PCT/US2014/017631

(22) International Filing Date:

21 February 2014 (21.02.2014)

(25) Filing Language:

English

(26) Publication Language:

English

(30) Priority Data:

13/838,925 15 March 2013 (15.03.2013) US

(71) Applicant: GENERAL ELECTRIC COMPANY
[US/US]; 1 River Road, Schenectady, NY 12345 (US).

(72) Inventors: XU, Chunchun; 610 Epsilon Dr., Pittsburgh, PA 15238 (US). RITTER, Allen, Michael; 1501 Roanoke Blvd., Salem, VA 24153 (US). HARBOURT, Cyrus, David; 1501 Roanoke Boulevard, Salem, VA 24153 (US). GARCES, Luis, Jose; 1 River Road, Niskayuna, NY 12309 (US). LUO, Cheng; 610 Epsilon Dr., Pittsburgh, PA 15238 (US).

(74) Agents: WINTER, Catherine, J. et al.; General Electric Company, Global Patent Operation, 3135 Easton Turnpike, Fairfield, CT 06828 (US).

(81) Designated States (unless otherwise indicated, for every kind of national protection available): AE, AG, AL, AM, AO, AT, AU, AZ, BA, BB, BG, BH, BN, BR, BW, BY, BZ, CA, CH, CL, CN, CO, CR, CU, CZ, DE, DK, DM, DO, DZ, EC, EE, EG, ES, FI, GB, GD, GE, GH, GM, GT, HN, HR, HU, ID, IL, IN, IR, IS, JP, KE, KG, KN, KP, KR, KZ, LA, LC, LK, LR, LS, LT, LU, LY, MA, MD, ME, MG, MK, MN, MW, MX, MY, MZ, NA, NG, NI, NO, NZ, OM, PA, PE, PG, PH, PL, PT, QA, RO, RS, RU, RW, SA, SC, SD, SE, SG, SK, SL, SM, ST, SV, SY, TH, TJ, TM, TN, TR, TT, TZ, UA, UG, US, UZ, VC, VN, ZA, ZM, ZW.

(84) Designated States (unless otherwise indicated, for every kind of regional protection available): ARIPO (BW, GH, GM, KE, LR, LS, MW, MZ, NA, RW, SD, SL, SZ, TZ, UG, ZM, ZW), Eurasian (AM, AZ, BY, KG, KZ, RU, TJ, TM), European (AL, AT, BE, BG, CH, CY, CZ, DE, DK, EE, ES, FI, FR, GB, GR, HR, HU, IE, IS, IT, LT, LU, LV, MC, MK, MT, NL, NO, PL, PT, RO, RS, SE, SI, SK, SM, TR), OAPI (BF, BJ, CF, CG, CI, CM, GA, GN, GQ, GW, KM, ML, MR, NE, SN, TD, TG).

Declarations under Rule 4.17:

— as to applicant's entitlement to apply for and be granted a patent (Rule 4.17(ii))

[Continued on next page]

(54) Title: LOAD COMMUTATED DRIVE SYSTEMS FOR HIGH POWER APPLICATIONS

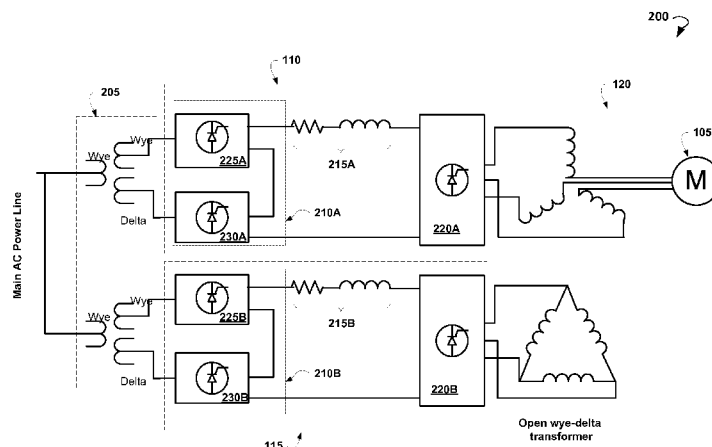


FIG. 2

(57) Abstract: A load commutated inverter (LCI) drive system for a synchronous electrical machine is provided. The system may include a first supply bridge and a second supply bridge, each of which may include an alternating current to direct current (AC-to-DC) source side converter, a DC link circuit, and a DC-to-AC load side inverter. The system may include a controller for selectively controlling at least one of the first supply bridge and the second supply bridge by selective firings of SCRs. The electrical power outputted from the first supply bridge and the second supply bridge may be combined by an output delta-wye electric power transformer and supplied to the electrical machine. The LCI drive system may further include one or more input electric power transformers configured to supply an input electric power to the first supply bridge and the second supply bridge.

WO 2014/149355 A3



— *as to the applicant's entitlement to claim the priority of the earlier application (Rule 4.17(iii))* — *before the expiration of the time limit for amending the claims and to be republished in the event of receipt of amendments (Rule 48.2(h))*

Published:

— *with international search report (Art. 21(3))*

(88) Date of publication of the international search report:
24 September 2015

INTERNATIONAL SEARCH REPORT

International application No
PCT/US2014/017631

A. CLASSIFICATION OF SUBJECT MATTER
 INV. H02P27/06 H02P29/02 H02M1/12 H02M5/45 H02M7/17
 H02M7/19 H02M7/493 H02M7/521 H02P25/02
 ADD.
 According to International Patent Classification (IPC) or to both national classification and IPC

B. FIELDS SEARCHED
 Minimum documentation searched (classification system followed by classification symbols)
 H02P
 Documentation searched other than minimum documentation to the extent that such documents are included in the fields searched
 Electronic data base consulted during the international search (name of data base and, where practicable, search terms used)
 EPO-Internal, WPI Data

C. DOCUMENTS CONSIDERED TO BE RELEVANT		
Category*	Citation of document, with indication, where appropriate, of the relevant passages	Relevant to claim No.
X	US 4 392 099 A (KUNIYOSHI MASATERU [JP]) 5 July 1983 (1983-07-05) column 2, line 16 - line 57; figure 1 column 4, line 39 - line 63; figure 4 column 2, line 58 - column 3, line 16 column 3, line 20 - line 27 column 3, line 44 - column 4, line 31 -----	1-20
A	EP 0 326 332 A2 (WESTINGHOUSE ELECTRIC CORP [US]) 2 August 1989 (1989-08-02) abstract -----	1-20

Further documents are listed in the continuation of Box C.

See patent family annex.

* Special categories of cited documents :

- "A" document defining the general state of the art which is not considered to be of particular relevance
- "E" earlier application or patent but published on or after the international filing date
- "L" document which may throw doubts on priority claim(s) or which is cited to establish the publication date of another citation or other special reason (as specified)
- "O" document referring to an oral disclosure, use, exhibition or other means
- "P" document published prior to the international filing date but later than the priority date claimed

- "T" later document published after the international filing date or priority date and not in conflict with the application but cited to understand the principle or theory underlying the invention
- "X" document of particular relevance; the claimed invention cannot be considered novel or cannot be considered to involve an inventive step when the document is taken alone
- "Y" document of particular relevance; the claimed invention cannot be considered to involve an inventive step when the document is combined with one or more other such documents, such combination being obvious to a person skilled in the art
- "&" document member of the same patent family

Date of the actual completion of the international search

17 July 2015

Date of mailing of the international search report

28/07/2015

Name and mailing address of the ISA/

European Patent Office, P.B. 5818 Patentlaan 2
 NL - 2280 HV Rijswijk
 Tel. (+31-70) 340-2040,
 Fax: (+31-70) 340-3016

Authorized officer

Schürle, Patrick

INTERNATIONAL SEARCH REPORT

Information on patent family members

International application No

PCT/US2014/017631

Patent document cited in search report		Publication date		Patent family member(s)		Publication date
US 4392099	A	05-07-1983	DE	3006034 A1		21-08-1980
			JP	S6243439 B2		14-09-1987
			JP	S55111677 A		28-08-1980
			US	4392099 A		05-07-1983

EP 0326332	A2	02-08-1989	EP	0326332 A2		02-08-1989
			JP	H01222664 A		05-09-1989
			US	4849870 A		18-07-1989
