



- (51) International Patent Classification:
B65D 8/04 (2006.01) *B65D 8/08* (2006.01)
B65D 77/06 (2006.01) *B65D 8/12* (2006.01)
- (21) International Application Number: PCT/EP2014/068292
- (22) International Filing Date: 28 August 2014 (28.08.2014)
- (25) Filing Language: English
- (26) Publication Language: English
- (30) Priority Data:
13182063.1 28 August 2013 (28.08.2013) EP
- (71) Applicant: EUROKEG B.V. [NL/NL]; Koperslagersweg 4, NL-1786 RA Den Helder (NL).
- (72) Inventors: HANSSEN, Hubert Joseph Frans; Ringvaart Nieuwemeerdijk 19, NL-1171 PB Badhoevedorp (NL). VEENENDAAL, Jan Dirk; Mr. J. Henderikxstraat 79, NL-1988 AZ Den Helder (NL).
- (74) Agents: AALBERS, Arnt Reinier et al.; De Vries & Metman, Overschiestraat 180, NL-1062 XK Amsterdam (NL).
- (81) Designated States (unless otherwise indicated, for every kind of national protection available): AE, AG, AL, AM, AO, AT, AU, AZ, BA, BB, BG, BH, BN, BR, BW, BY, BZ, CA, CH, CL, CN, CO, CR, CU, CZ, DE, DK, DM, DO, DZ, EC, EE, EG, ES, FI, GB, GD, GE, GH, GM, GT, HN, HR, HU, ID, IL, IN, IR, IS, JP, KE, KG, KN, KP, KR, KZ, LA, LC, LK, LR, LS, LT, LU, LY, MA, MD, ME, MG, MK, MN, MW, MX, MY, MZ, NA, NG, NI, NO, NZ, OM, PA, PE, PG, PH, PL, PT, QA, RO, RS, RU, RW, SA,

[Continued on next page]

(54) Title: CONTAINER FOR LIQUIDS

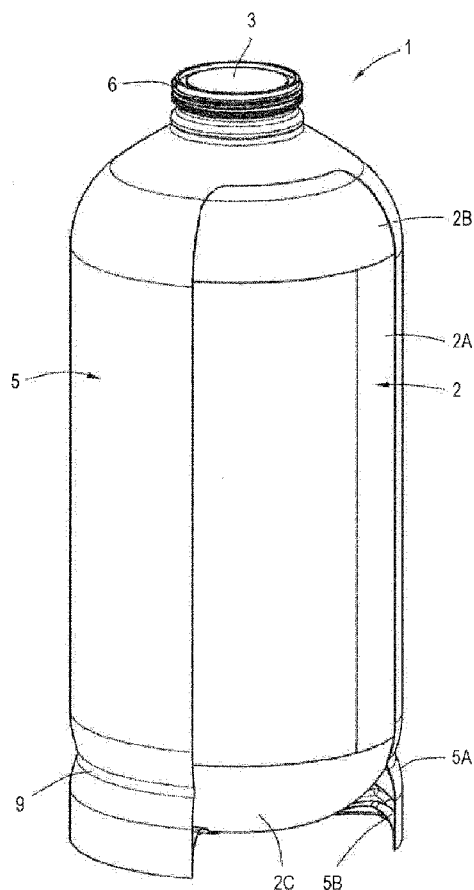


Fig.1

(57) Abstract: The invention relates to a container (1) for liquids, such as beverages and oils, comprising a casing (2) enveloped by a shell (9) and a valve (3) for dispensing the liquid from the container (1). The casing (2) and the shell (5) are, at least locally, positively fixed relative to each other.





SC, SD, SE, SG, SK, SL, SM, ST, SV, SY, TH, TJ, TM, TN, TR, TT, TZ, UA, UG, US, UZ, VC, VN, ZA, ZM, ZW.

(84) Designated States (unless otherwise indicated, for every kind of regional protection available): ARIPO (BW, GH, GM, KE, LR, LS, MW, MZ, NA, RW, SD, SL, ST, SZ, TZ, UG, ZM, ZW), Eurasian (AM, AZ, BY, KG, KZ, RU, TJ, TM), European (AL, AT, BE, BG, CH, CY, CZ, DE, DK, EE, ES, FI, FR, GB, GR, HR, HU, IE, IS, IT, LT, LU, LV, MC, MK, MT, NL, NO, PL, PT, RO, RS, SE, SI, SK, SM, TR), OAPI (BF, BJ, CF, CG, CI, CM, GA, GN, GQ, GW, KM, ML, MR, NE, SN, TD, TG).

Published:

- with international search report (Art. 21(3))
- before the expiration of the time limit for amending the claims and to be republished in the event of receipt of amendments (Rule 48.2(h))

(88) Date of publication of the international search report:

16 April 2015

INTERNATIONAL SEARCH REPORT

International application No.
PCT/EP2014/068292

Box No. II Observations where certain claims were found unsearchable (Continuation of item 2 of first sheet)

This international search report has not been established in respect of certain claims under Article 17(2)(a) for the following reasons:

1. Claims Nos.:
because they relate to subject matter not required to be searched by this Authority, namely:

2. Claims Nos.:
because they relate to parts of the international application that do not comply with the prescribed requirements to such an extent that no meaningful international search can be carried out, specifically:

3. Claims Nos.:
because they are dependent claims and are not drafted in accordance with the second and third sentences of Rule 6.4(a).

Box No. III Observations where unity of invention is lacking (Continuation of item 3 of first sheet)

This International Searching Authority found multiple inventions in this international application, as follows:

see additional sheet

1. As all required additional search fees were timely paid by the applicant, this international search report covers all searchable claims.

2. As all searchable claims could be searched without effort justifying an additional fees, this Authority did not invite payment of additional fees.

3. As only some of the required additional search fees were timely paid by the applicant, this international search report covers only those claims for which fees were paid, specifically claims Nos.:

4. No required additional search fees were timely paid by the applicant. Consequently, this international search report is restricted to the invention first mentioned in the claims; it is covered by claims Nos.:

1-12, 14, 15

Remark on Protest

- The additional search fees were accompanied by the applicant's protest and, where applicable, the payment of a protest fee.
- The additional search fees were accompanied by the applicant's protest but the applicable protest fee was not paid within the time limit specified in the invitation.
- No protest accompanied the payment of additional search fees.

INTERNATIONAL SEARCH REPORT

International application No
PCT/EP2014/068292

A. CLASSIFICATION OF SUBJECT MATTER
INV. B65D8/04 B65D77/06 B65D8/08 B65D8/12
ADD.
According to International Patent Classification (IPC) or to both national classification and IPC

B. FIELDS SEARCHED
Minimum documentation searched (classification system followed by classification symbols)
B65D

Documentation searched other than minimum documentation to the extent that such documents are included in the fields searched

Electronic data base consulted during the international search (name of data base and, where practicable, search terms used)
EPO-Internal, WPI Data

C. DOCUMENTS CONSIDERED TO BE RELEVANT

Category*	Citation of document, with indication, where appropriate, of the relevant passages	Relevant to claim No.
X	WO 2011/134949 A1 (EUROKEG BV [NL]; HANSEN HUBERT JOSEPH FRANS [NL]; VEENENDAAL JAN DIRK) 3 November 2011 (2011-11-03) page 6, line 33 - page 7, line 10; claims 1,8 page 7, line 29 - page 9, line 30; figures 1,5A,5B	1-4,6,7, 11,14,15
X	EP 1 947 029 A1 (INBEV SA [BE]) 23 July 2008 (2008-07-23) paragraphs [0040], [0044]; figure 1	1-3,5-7
X	JP S53 39599 U (NN) 6 April 1978 (1978-04-06) the whole document	1-3,5, 7-12,15
	----- -/--	

Further documents are listed in the continuation of Box C.

See patent family annex.

* Special categories of cited documents :

- "A" document defining the general state of the art which is not considered to be of particular relevance
- "E" earlier application or patent but published on or after the international filing date
- "L" document which may throw doubts on priority claim(s) or which is cited to establish the publication date of another citation or other special reason (as specified)
- "O" document referring to an oral disclosure, use, exhibition or other means
- "P" document published prior to the international filing date but later than the priority date claimed

- "T" later document published after the international filing date or priority date and not in conflict with the application but cited to understand the principle or theory underlying the invention
- "X" document of particular relevance; the claimed invention cannot be considered novel or cannot be considered to involve an inventive step when the document is taken alone
- "Y" document of particular relevance; the claimed invention cannot be considered to involve an inventive step when the document is combined with one or more other such documents, such combination being obvious to a person skilled in the art
- "&" document member of the same patent family

Date of the actual completion of the international search 14 November 2014	Date of mailing of the international search report 04/03/2015
Name and mailing address of the ISA/ European Patent Office, P.B. 5818 Patentlaan 2 NL - 2280 HV Rijswijk Tel. (+31-70) 340-2040, Fax: (+31-70) 340-3016	Authorized officer Galli, Monia

INTERNATIONAL SEARCH REPORT

International application No
PCT/EP2014/068292

C(Continuation). DOCUMENTS CONSIDERED TO BE RELEVANT		
Category*	Citation of document, with indication, where appropriate, of the relevant passages	Relevant to claim No.
X	AT 6 627 U2 (GREINER VERPACKUNGEN GMBH [AT] KAVOTHERM VERPACKUNGEN GMBH [AT]) 26 January 2004 (2004-01-26) page 9, line 14 - line 23 page 14, line 4 - line 8; figure 1 -----	1,2,5,7, 14

INTERNATIONAL SEARCH REPORT

Information on patent family members

International application No

PCT/EP2014/068292

Patent document cited in search report	Publication date	Patent family member(s)	Publication date
WO 2011134949	A1	03-11-2011	AR 081898 A1 31-10-2012
			AU 2011246532 A1 08-11-2012
			CA 2797256 A1 03-11-2011
			CL 2012002987 A1 05-04-2013
			CN 102939250 A 20-02-2013
			CO 6640252 A2 22-03-2013
			EA 201291021 A1 30-05-2013
			EP 2566777 A1 13-03-2013
			GT 201200288 A 17-03-2014
			JP 2013528537 A 11-07-2013
			KR 20130076819 A 08-07-2013
			MA 34233 B1 02-05-2013
			NZ 603067 A 31-05-2013
			PE 09212013 A1 19-09-2013
			SG 184900 A1 29-11-2012
			US 2013200100 A1 08-08-2013
			WO 2011134949 A1 03-11-2011

EP 1947029	A1	23-07-2008	EP 1947029 A1 23-07-2008
			WO 2008087206 A1 24-07-2008

JP S5339599	U	06-04-1978	NONE

AT 6627	U2	26-01-2004	NONE

FURTHER INFORMATION CONTINUED FROM PCT/ISA/ 210

This International Searching Authority found multiple (groups of) inventions in this international application, as follows:

1. claims: 1-12, 14, 15

Container with a casing enveloped by a shell and positively fixed thereto.

2. claim: 13

Container with a casing enveloped by a shell and a lubricant between the casing and the shell.
