



US00D523732S

(12) **United States Design Patent**
Farrar et al.

(10) **Patent No.:** **US D523,732 S**

(45) **Date of Patent:** **** Jun. 27, 2006**

(54) **APPARATUS FOR UN-LOCKING SECURITY DEVICE FOR RETAIL MERCHANDISE**

Primary Examiner—Prabhakar Deshmukh

(75) Inventors: **Peter Antony Farrar**, Menston (GB);
Anthony Henry Joseph Fraser, Ketton (GB); **Robert Johnston**, Geddington (GB)

(57) **CLAIM**

The ornamental design for an apparatus for un-locking security device for retail merchandise, as shown and described.

(73) Assignee: **Dubois, Ltd.**, Northhants (GB)

DESCRIPTION

(**) Term: **14 Years**

(21) Appl. No.: **29/203,790**

Article for un-locking and facilitating removal of an anti-theft device from merchandise sold in retail channels of trade.

(22) Filed: **Apr. 19, 2004**

FIG. 1 is an isometric illustration of an apparatus for un-locking security device for retail merchandise, showing the new design;

(30) **Foreign Application Priority Data**

Oct. 17, 2003 (EM) 91749

FIG. 2 is a side elevation view of the article of FIG. 1, the opposing side being a mirror image of the side shown;

(51) **LOC (8) Cl.** **08-07**

FIG. 3 is a top plan view of the article of FIG. 1;

(52) **U.S. Cl.** **D8/346; D8/330**

FIG. 4 is a front elevation view of the article of FIG. 1;

(58) **Field of Classification Search** **D8/330,**

D8/331, 341, 343, 346, 499; 70/57, 57.1,

70/58, 51, 63, 158, 163, 164, 165

See application file for complete search history.

FIG. 5 is a rear elevation view of the article of FIG. 1;

FIG. 6 is a bottom plan view of the article of FIG. 1;

FIG. 7 is an isometric view of the article of FIG. 1, with the retractable cover disposed in a closed condition;

(56) **References Cited**

U.S. PATENT DOCUMENTS

4,527,310	A	*	7/1985	Vandebult	70/57.1
D302,237	S	*	7/1989	O'Day	D8/330
5,255,543	A	*	10/1993	Wittman	70/57.1
5,528,914	A	*	6/1996	Nguyen et al.	70/57.1
5,656,998	A	*	8/1997	Fujiuchi et al.	340/571
D401,136	S	*	11/1998	Derman	D8/341
5,956,981	A	*	9/1999	Weisburn et al.	70/57.1
D492,573	S	*	7/2004	Karamanos et al.	D8/330
6,880,373	B1	*	4/2005	Ling	70/58

FIG. 8 is a side elevation view of the article of FIG. 1 in the closed condition illustrated in FIG. 7, the opposing side being a mirror image of the side shown;

FIG. 9 is a top plan view of the article of FIG. 1 in the closed condition illustrated in FIG. 7;

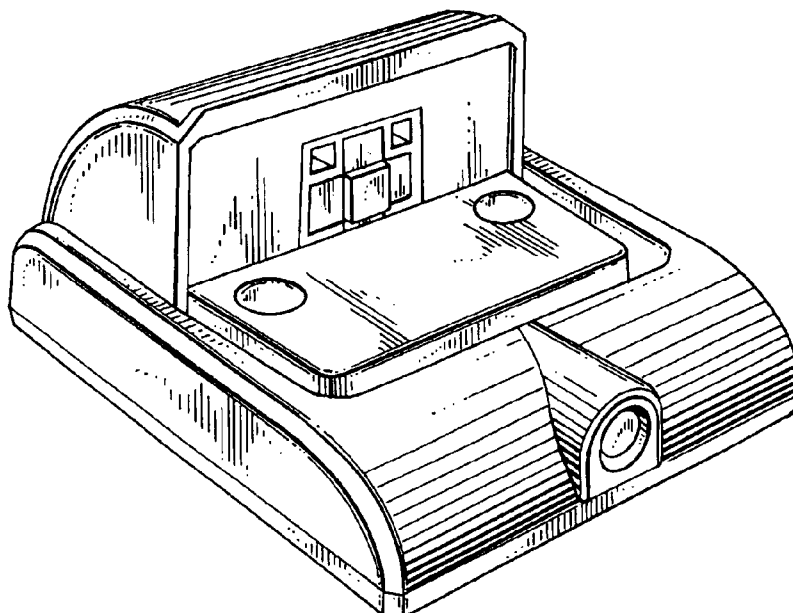
FIG. 10 is a front elevation view of the article of FIG. 1 in the closed condition illustrated in FIG. 7;

FIG. 11 is a rear elevation view of the article of FIG. 11 in the closed condition illustrated in FIG. 7; and,

FIG. 12 is a bottom plan view of the article of FIG. 1 in the closed condition illustrated in FIG. 7.

* cited by examiner

1 Claim, 6 Drawing Sheets



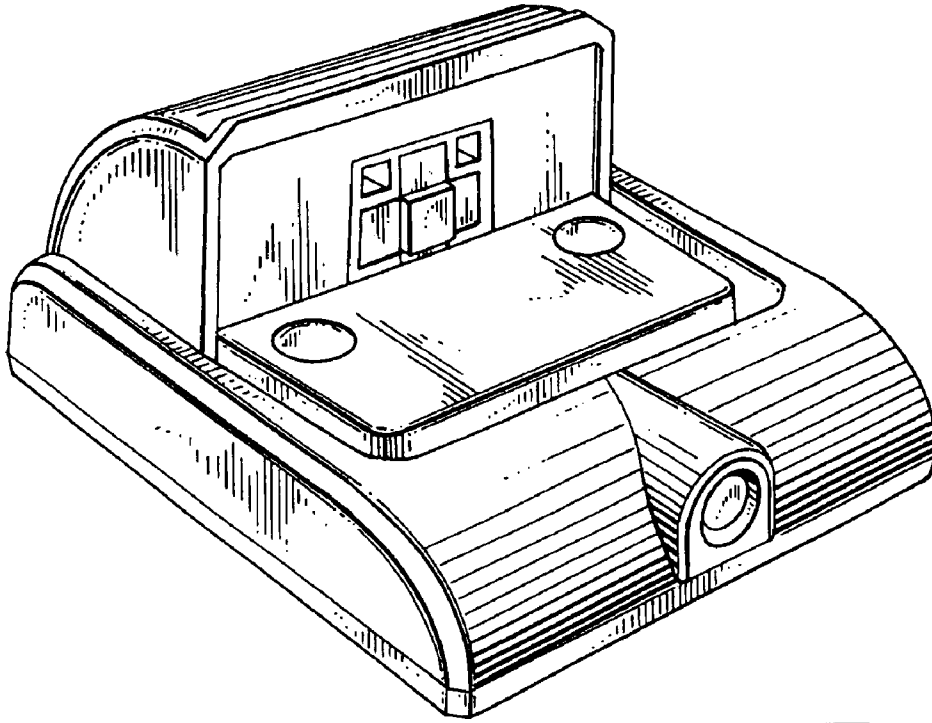


Fig. 1

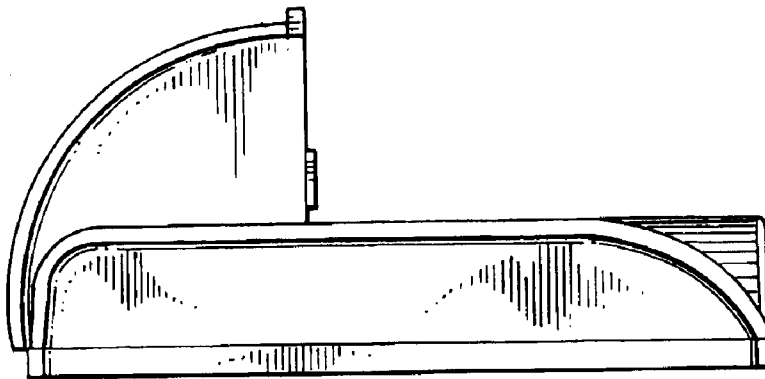


Fig. 2

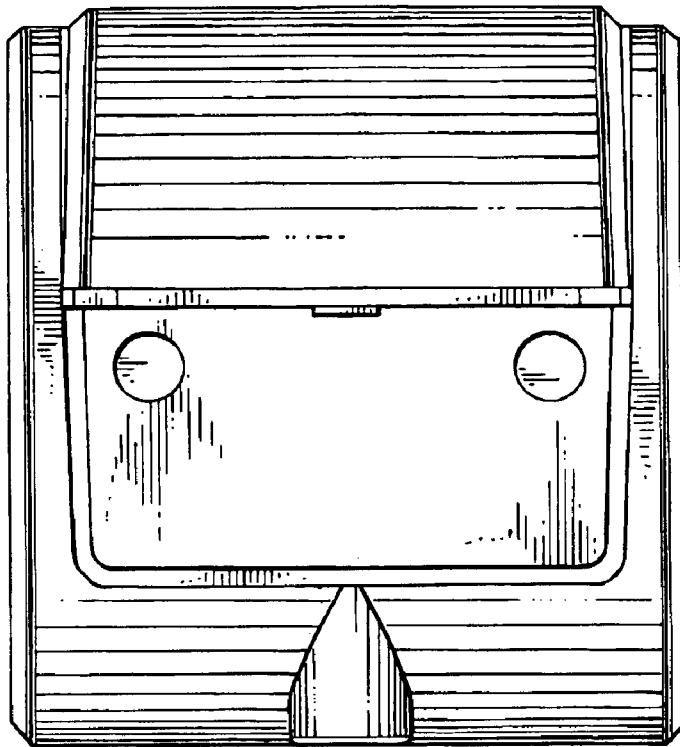


Fig. 3

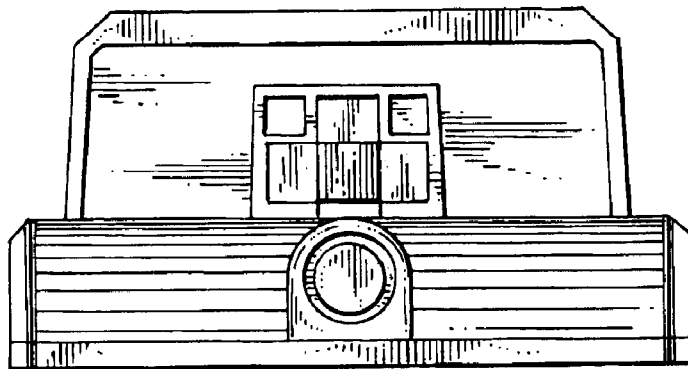


Fig. 4

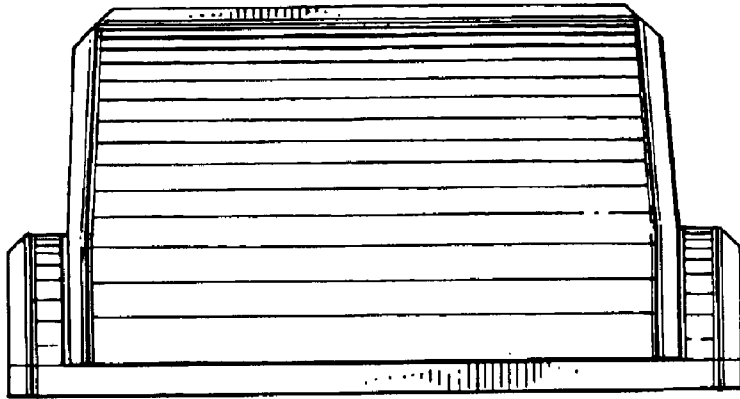


Fig. 5

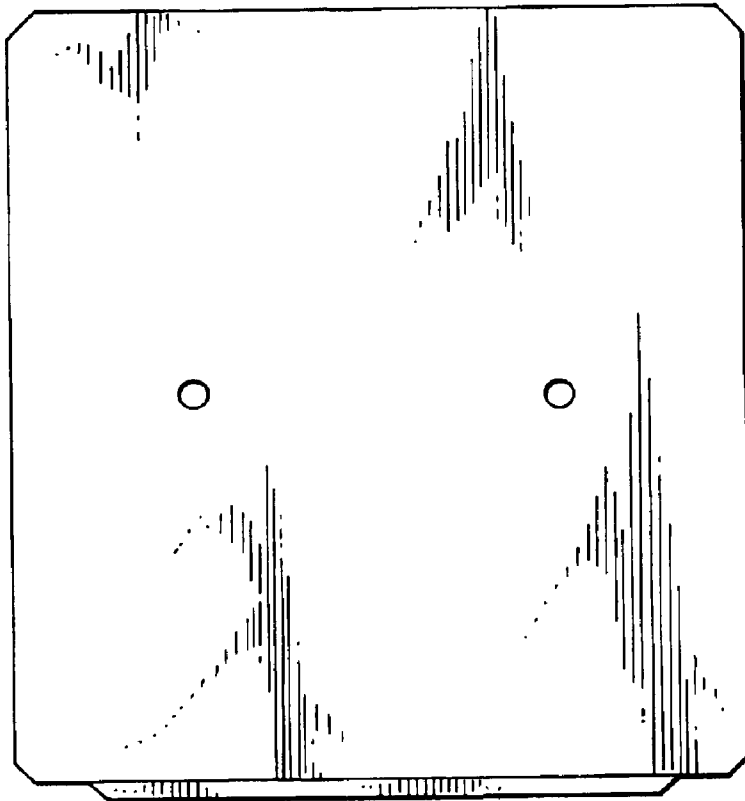


Fig. 6

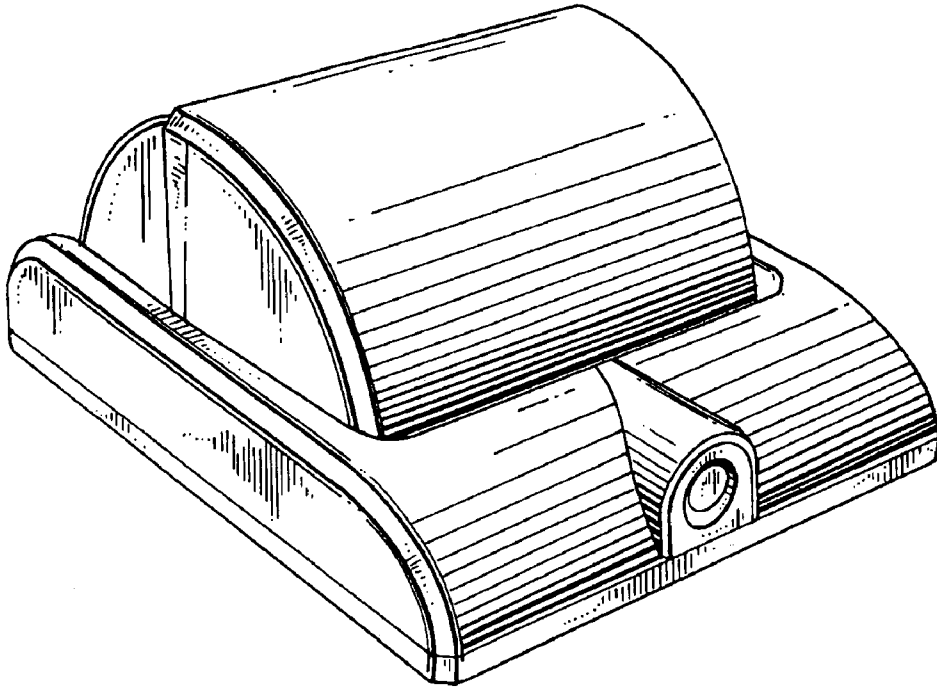


Fig. 7

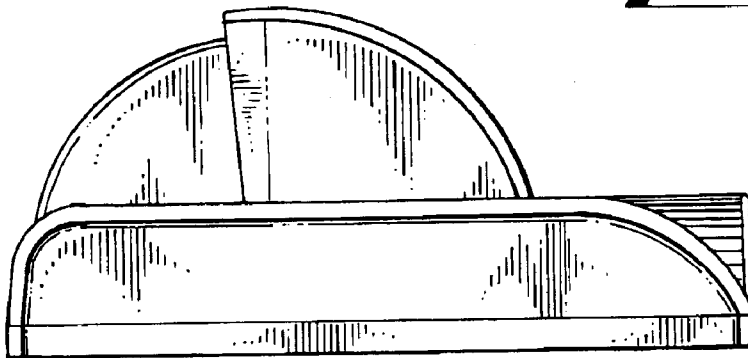


Fig. 8

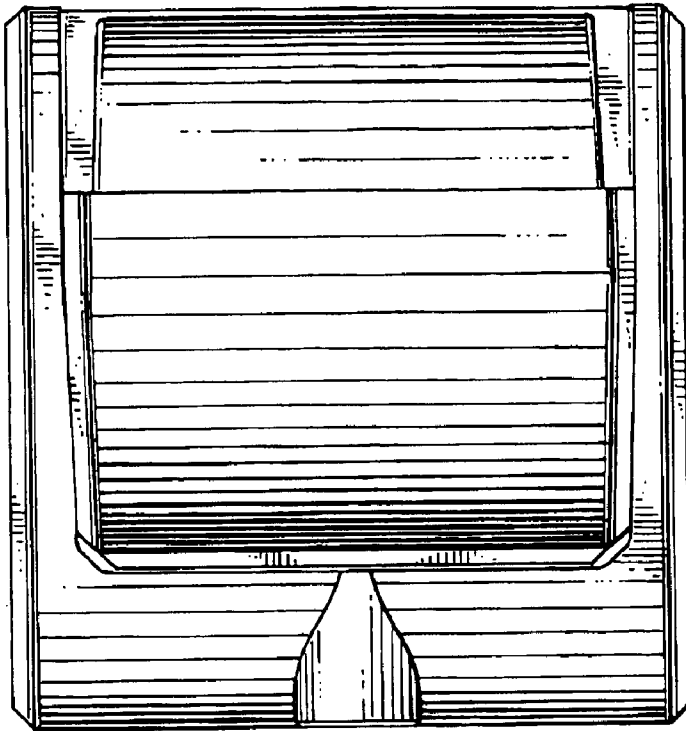


Fig. 9

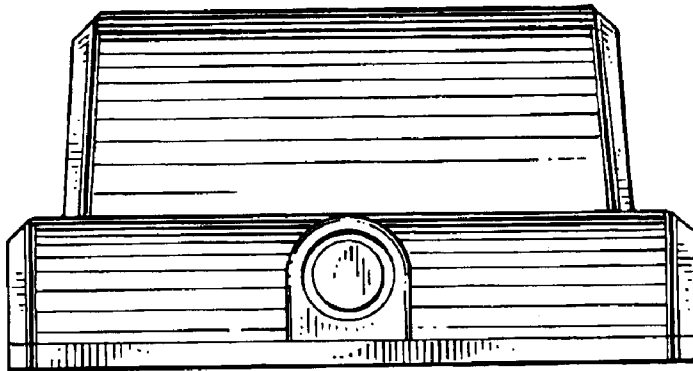


Fig. 10

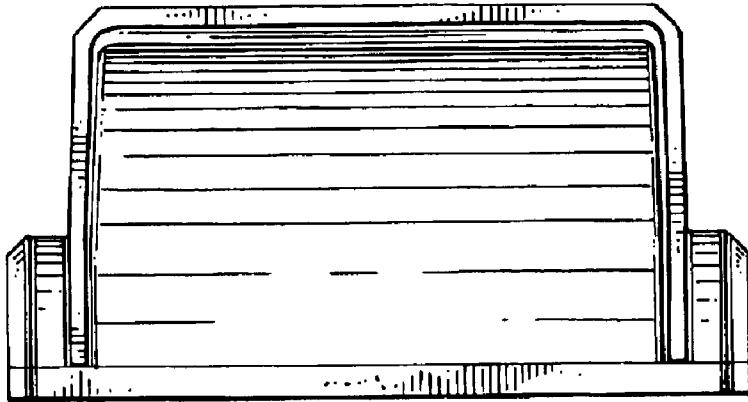


Fig. 11

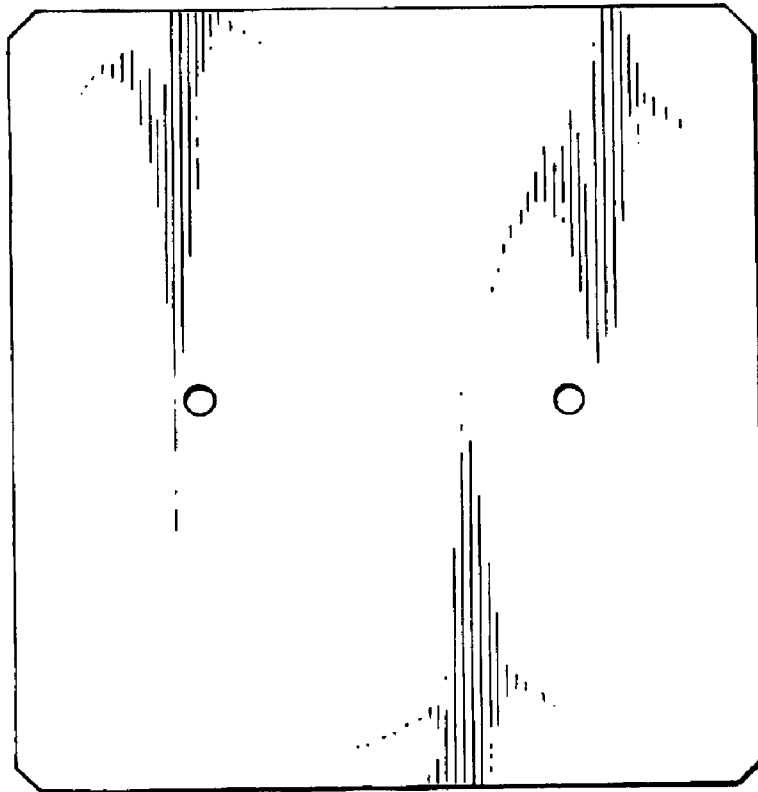


Fig. 12