

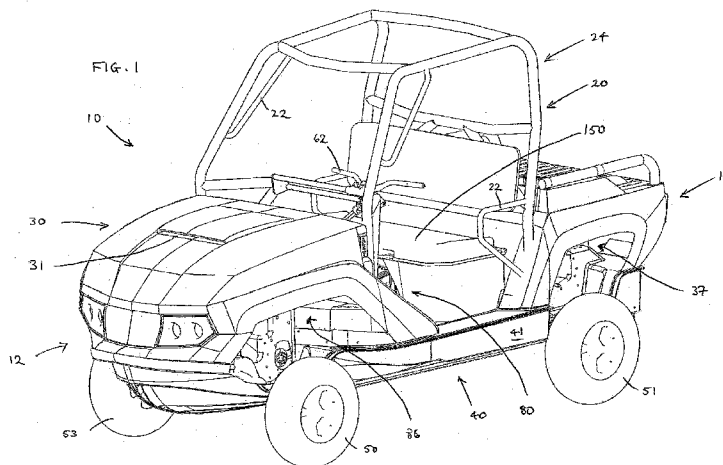


- (51) International Patent Classification:
B60F 3/00 (2006.01)
- (21) International Application Number:
PCT/GB2015/052990
- (22) International Filing Date:
12 October 2015 (12.10.2015)
- (25) Filing Language:
English
- (26) Publication Language:
English
- (30) Priority Data:
1418008.7 10 October 2014 (10.10.2014) GB
1509901.3 8 June 2015 (08.06.2015) GB
- (71) Applicant: **GIBBS TECHNOLOGIES LIMITED** [GB/GB]; Avenue Road, Nuneaton Warwickshire CV11 4LY (GB).
- (72) Inventors: **GIBBS, Alan Timothy**; 28 Albert Bridge House, 127 Albert Bridge Road, London SW11 4PL (GB). **LONGDILL, Simon James**; Gibbs Technologies Limited, Avenue Road, Nuneaton Warwickshire CV11 4LY (GB). **HOUSTON, Matthew Watson**; Gibbs Technologies Limited, Avenue Road, Nuneaton Warwickshire CV11 4LY (GB).

- (74) Agent: **BOULT WADE TENNANT**; Verulam Gardens, 70 Gray's Inn Road, London WC1X 8BT (GB).
- (81) Designated States (*unless otherwise indicated, for every kind of national protection available*): AE, AG, AL, AM, AO, AT, AU, AZ, BA, BB, BG, BH, BN, BR, BW, BY, BZ, CA, CH, CL, CN, CO, CR, CU, CZ, DE, DK, DM, DO, DZ, EC, EE, EG, ES, FI, GB, GD, GE, GH, GM, GT, HN, HR, HU, ID, IL, IN, IR, IS, JP, KE, KG, KN, KP, KR, KZ, LA, LC, LK, LR, LS, LU, LY, MA, MD, ME, MG, MK, MN, MW, MX, MY, MZ, NA, NG, NI, NO, NZ, OM, PA, PE, PG, PH, PL, PT, QA, RO, RS, RU, RW, SA, SC, SD, SE, SG, SK, SL, SM, ST, SV, SY, TH, TJ, TM, TN, TR, TT, TZ, UA, UG, US, UZ, VC, VN, ZA, ZM, ZW.
- (84) Designated States (*unless otherwise indicated, for every kind of regional protection available*): ARIPO (BW, GH, GM, KE, LR, LS, MW, MZ, NA, RW, SD, SL, ST, SZ, TZ, UG, ZM, ZW), Eurasian (AM, AZ, BY, KG, KZ, RU, TJ, TM), European (AL, AT, BE, BG, CH, CY, CZ, DE, DK, EE, ES, FI, FR, GB, GR, HR, HU, IE, IS, IT, LT, LU, LV, MC, MK, MT, NL, NO, PL, PT, RO, RS, SE, SI, SK, SM, TR), OAPI (BF, BJ, CF, CG, CI, CM, GA, GN, GQ, GW, KM, ML, MR, NE, SN, TD, TG).

[Continued on next page]

(54) Title: AMPHIBIAN



(57) Abstract: The present invention provides, with reference to Figure 1, an amphibian operable on land and in/on water. The amphibian comprises a planing hull, at least one retractable wheel, the at least one retractable wheel being retractable from a protracted land engaging position when the amphibian is operated on land to a retracted position when the amphibian is operated in/on water, at least one prime mover for providing power to drive, directly or indirectly, the amphibian on land and/or in/on water, and at least one steerable wheel which is, at least when the amphibian is operated on land, connected directly or indirectly to a steering control device operable by a driver to steer the amphibian. In addition the present invention provides that either i) the steering control device is moveable between at least two distinct laterally spaced positions across the width or beam of the amphibian; ii) the amphibian comprises side-by-side seating; iii) the amphibian comprises a roll over protection system; iv) the amphibian comprises an open cargo area cargo or truck-like bed; v) the amphibian comprises two seat belts and three seat belt buckles or buckle positions, or two seat belt buckles or buckle positions, and three seat belts; vi) the amphibian comprises a footwell area having no transmission tunnel; vii) the amphibian comprises a footwell and seating area configured so as not to impede or restrict driver and/or passenger entry via one side of the amphibian, egress from the other side of the amphibian, and through movement therebetween; viii) the amphibian comprises a positive buoyancy system

[Continued on next page]



WO 2016/055816 A3

**Published:****(88) Date of publication of the international search report:**

16 June 2016

- *with international search report (Art. 21(3))*
- *before the expiration of the time limit for amending the claims and to be republished in the event of receipt of amendments (Rule 48.2(h))*

INTERNATIONAL SEARCH REPORT

International application No
PCT/GB2015/052990

A. CLASSIFICATION OF SUBJECT MATTER
INV. B60F3/00
ADD.
According to International Patent Classification (IPC) or to both national classification and IPC

B. FIELDS SEARCHED
Minimum documentation searched (classification system followed by classification symbols)
B60F
Documentation searched other than minimum documentation to the extent that such documents are included in the fields searched

Electronic data base consulted during the international search (name of data base and, where practicable, search terms used)
EPO-Internal

C. DOCUMENTS CONSIDERED TO BE RELEVANT		
Category*	Citation of document, with indication, where appropriate, of the relevant passages	Relevant to claim No.
Y	GB 2 392 415 A (GIBBS TECH LTD) 3 March 2004 (2004-03-03) page 4, line 23 - line 28 figure 6 -----	1,14-27, 30,31, 35-51
Y	US 2005/283288 A1 (HOWELL GREGORY [US] ET AL) 22 December 2005 (2005-12-22) abstract; figures -----	1,14-27, 30,31, 35-51
A	WO 90/15747 A1 (CAVNER SYDNEY BARTHOLOMEW [GB]) 27 December 1990 (1990-12-27) abstract; figures -----	1

Further documents are listed in the continuation of Box C.

See patent family annex.

* Special categories of cited documents :

- "A" document defining the general state of the art which is not considered to be of particular relevance
- "E" earlier application or patent but published on or after the international filing date
- "L" document which may throw doubts on priority claim(s) or which is cited to establish the publication date of another citation or other special reason (as specified)
- "O" document referring to an oral disclosure, use, exhibition or other means
- "P" document published prior to the international filing date but later than the priority date claimed

- "T" later document published after the international filing date or priority date and not in conflict with the application but cited to understand the principle or theory underlying the invention
- "X" document of particular relevance; the claimed invention cannot be considered novel or cannot be considered to involve an inventive step when the document is taken alone
- "Y" document of particular relevance; the claimed invention cannot be considered to involve an inventive step when the document is combined with one or more other such documents, such combination being obvious to a person skilled in the art
- "&" document member of the same patent family

Date of the actual completion of the international search

28 January 2016

Date of mailing of the international search report

25/04/2016

Name and mailing address of the ISA/

European Patent Office, P.B. 5818 Patentlaan 2
NL - 2280 HV Rijswijk
Tel. (+31-70) 340-2040,
Fax: (+31-70) 340-3016

Authorized officer

Cauderlier, Frédéric

INTERNATIONAL SEARCH REPORT

International application No.
PCT/GB2015/052990

Box No. II Observations where certain claims were found unsearchable (Continuation of item 2 of first sheet)

This international search report has not been established in respect of certain claims under Article 17(2)(a) for the following reasons:

1. Claims Nos.:
because they relate to subject matter not required to be searched by this Authority, namely:

2. Claims Nos.: 2-13, 28, 29, 32-34
because they relate to parts of the international application that do not comply with the prescribed requirements to such an extent that no meaningful international search can be carried out, specifically:
see FURTHER INFORMATION sheet PCT/ISA/210

3. Claims Nos.:
because they are dependent claims and are not drafted in accordance with the second and third sentences of Rule 6.4(a).

Box No. III Observations where unity of invention is lacking (Continuation of item 3 of first sheet)

This International Searching Authority found multiple inventions in this international application, as follows:

see additional sheet

1. As all required additional search fees were timely paid by the applicant, this international search report covers all searchable claims.

2. As all searchable claims could be searched without effort justifying an additional fees, this Authority did not invite payment of additional fees.

3. As only some of the required additional search fees were timely paid by the applicant, this international search report covers only those claims for which fees were paid, specifically claims Nos.:

4. No required additional search fees were timely paid by the applicant. Consequently, this international search report is restricted to the invention first mentioned in the claims; it is covered by claims Nos.:
1, 14-27, 30, 31, 35-51

Remark on Protest

- The additional search fees were accompanied by the applicant's protest and, where applicable, the payment of a protest fee.
- The additional search fees were accompanied by the applicant's protest but the applicable protest fee was not paid within the time limit specified in the invitation.
- No protest accompanied the payment of additional search fees.

FURTHER INFORMATION CONTINUED FROM PCT/ISA/ 210

Continuation of Box II.2

Claims Nos.: 2-13, 28, 29, 32-34

The present application contains 51 claims and 9 independent claims. There are so many independent claims, and they are drafted in such a way that the claims as a whole are not in compliance with the provisions of clarity and conciseness of Article 6 PCT, as they create a smoke screen in front of the skilled reader when assessing what should be the subject-matter to search. The non-compliance with the substantive provisions is to such an extent, that the search was performed taking into consideration the non-compliance in determining the extent of the search (PCT Guidelines 9.19).

The extent of the search was consequently limited to independent claim 1 and the dependent claims forming non-unity subject 1, which appears to comprise a reasonable definition of what is understood to be the invention for which protection is sought.

The applicant's attention is drawn to the fact that claims relating to inventions in respect of which no international search report has been established need not be the subject of an international preliminary examination (Rule 66.1(e) PCT). The applicant is advised that the EPO policy when acting as an International Preliminary Examining Authority is normally not to carry out a preliminary examination on matter which has not been searched. This is the case irrespective of whether or not the claims are amended following receipt of the search report or during any Chapter II procedure. If the application proceeds into the regional phase before the EPO, the applicant is reminded that a search may be carried out during examination before the EPO (see EPO Guidelines C-IV, 7.2), should the problems which led to the Article 17(2) declaration be overcome.

FURTHER INFORMATION CONTINUED FROM PCT/ISA/ 210

This International Searching Authority found multiple (groups of) inventions in this international application, as follows:

1. claims: 1, 14-27, 30, 31, 35-51

An amphibian comprising a steering control device that is moveable laterally

2. claims: 2, 14-27, 30, 31, 35-51

An amphibian comprising side-by-side seating

3. claims: 3, 14-27, 30, 31, 35-51

An amphibian comprising a roll cage

4. claims: 4, 14-27, 30, 31, 35-51

An amphibian comprising a cargo area

5. claims: 5, 14-27, 30, 31, 35-51

An amphibian comprising two seat belt buckle positions and three seat belts

6. claims: 6, 14-27, 30, 31, 35-51

An amphibian comprising a footwell area having no transmission tunnel

7. claims: 7, 14-27, 30, 31, 35-51

An amphibian comprising a footwell and seating area designed not to impede passenger entry or egress

8. claims: 8, 14-27, 30, 31, 35-51

An amphibian comprising a positive buoyancy system

9. claims: 9, 14-27, 30, 31, 35-51

An amphibian comprising a safety system of a controlled parameter

10. claims: 28, 29

FURTHER INFORMATION CONTINUED FROM PCT/ISA/ 210

An amphibian comprising a footwell configured to bail water

11. claims: 32-34

An amphibian comprising doors or no doors

INTERNATIONAL SEARCH REPORT

Information on patent family members

International application No

PCT/GB2015/052990

Patent document cited in search report	Publication date	Patent family member(s)	Publication date
GB 2392415	A	03-03-2004	AU 2003282210 A1
			EP 1581402 A1
			GB 2392415 A
			WO 2004020228 A1

US 2005283288	A1	22-12-2005	NONE

WO 9015747	A1	27-12-1990	AU 5833490 A
			WO 9015747 A1
