



US00D337673S

United States Patent [19]

[11] Patent Number: **Des. 337,673**

Goetz

[45] Date of Patent: **** Jul. 27, 1993**

- [54] **KNOCK DOWN BOOK SHELF**
- [75] Inventor: **Charles R. Goetz, Carnegie, Pa.**
- [73] Assignee: **Alco Industries Inc., Valley Forge, Pa.**
- [**] Term: **14 Years**
- [21] Appl. No.: **655,099**
- [22] Filed: **Feb. 14, 1991**
- [52] U.S. Cl. **D6/473**
- [58] Field of Search **D6/407, 449, 396, 397, D6/473; 211/135, 186, 13, 148**

3,145,851 8/1964 Magers 211/186
 3,149,727 9/1964 Magers D6/473 X
 3,549,019 12/1970 Wood 211/186

OTHER PUBLICATIONS

Popular Mechanics, Sep. 1940, p. 447, open book shelves.
 ViewRite catalog date Feb. 28, 1986.

Primary Examiner—Alan P. Douglas
Assistant Examiner—Jeffrey Asch
Attorney, Agent, or Firm—William J. Ruano

[57] CLAIM

The ornamental design for a knock down book shelf, as shown and described.

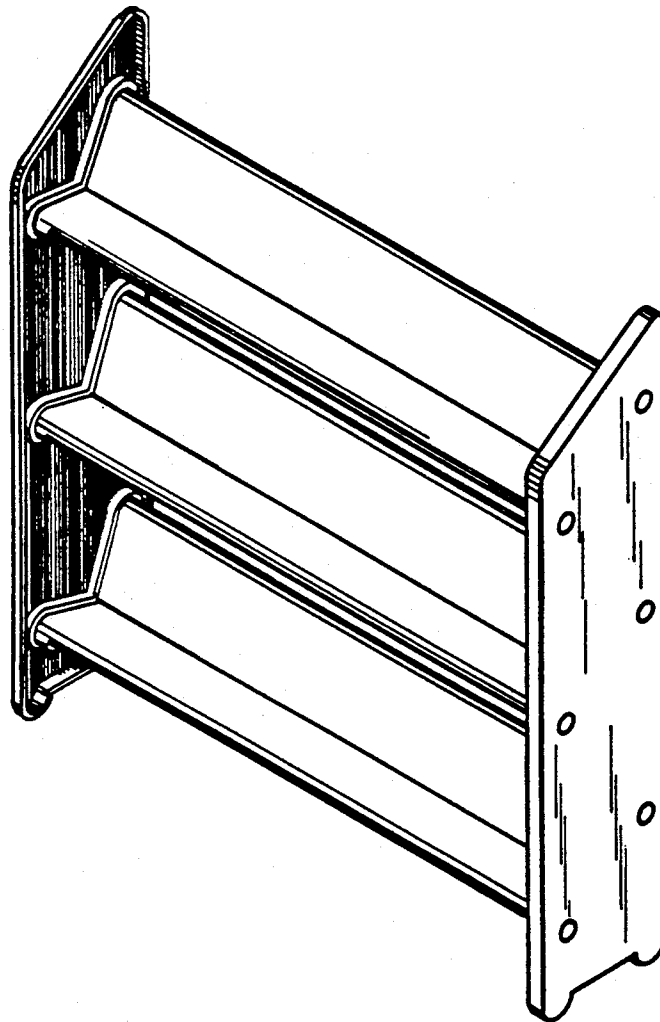
DESCRIPTION

FIG. 1 is a top perspective view of a book shelf showing my new design of a knock down book shelf, the opposite top perspective view being identical; and, FIG. 2 is a rear, bottom perspective view.

[56] References Cited

U.S. PATENT DOCUMENTS

D. 165,940	2/1952	Smilie	D6/473
D. 201,808	8/1965	Yamasaki	D6/473 X
D. 265,702	8/1982	Savas	D6/473
2,155,190	4/1939	Heinz	D6/473 X



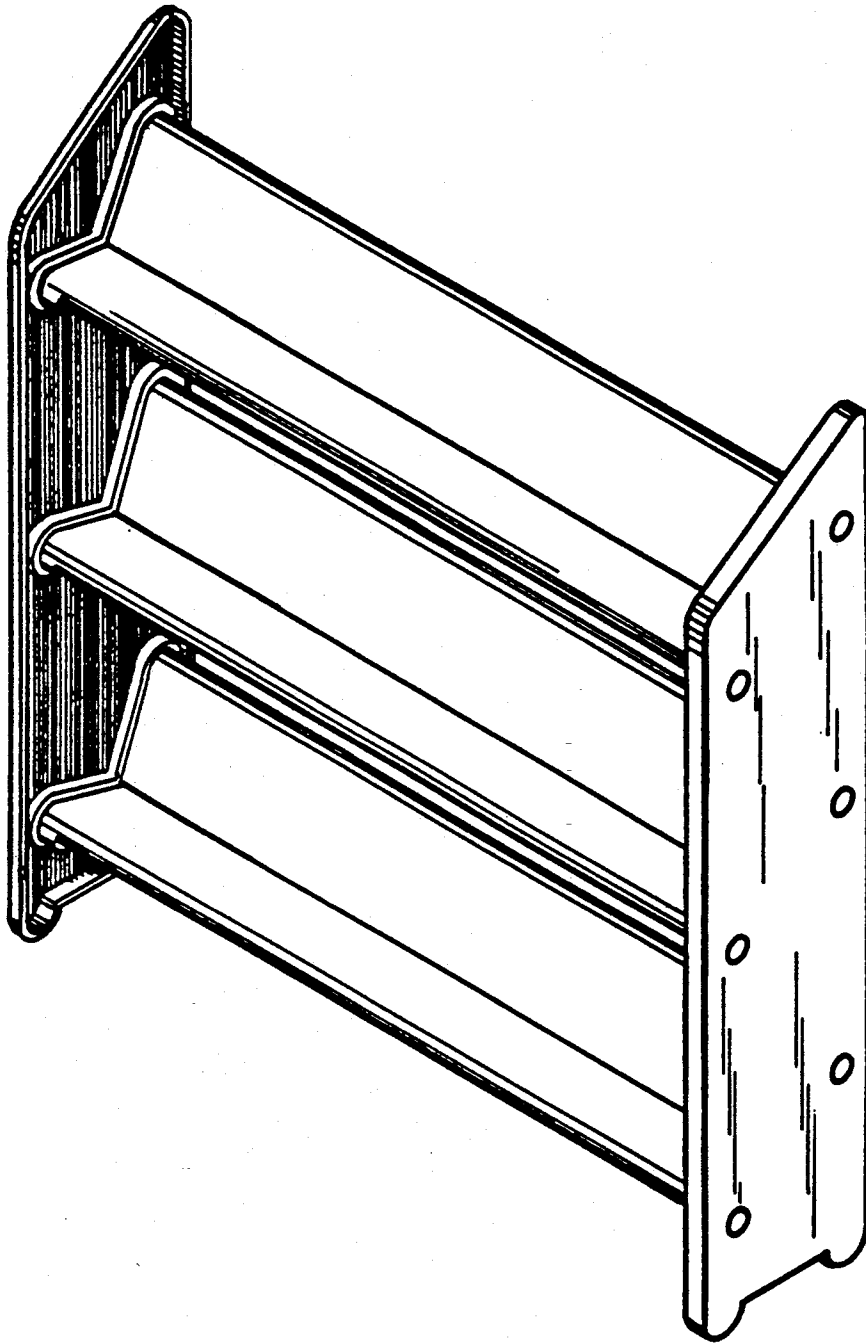


FIG. 1

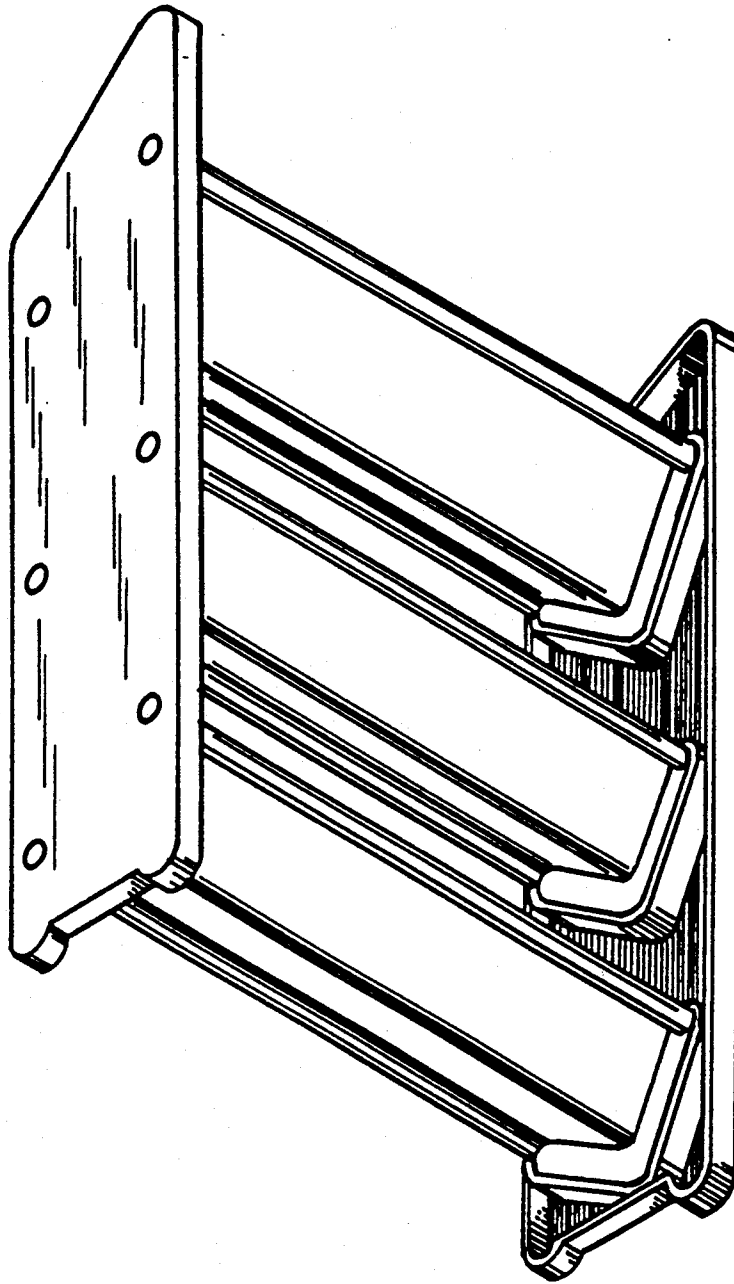


FIG. 2