



US00D769966S

(12) **United States Design Patent**
Mizutani et al.

(10) **Patent No.:** **US D769,966 S**

(45) **Date of Patent:** **** Oct. 25, 2016**

- (54) **CAP FOR AN INK CARTRIDGE**
- (71) Applicant: **SEIKO EPSON CORPORATION**,
Tokyo (JP)
- (72) Inventors: **Tadahiro Mizutani**, Shiojiri (JP);
Koichi Toba, Shiojiri (JP); **Atsushi Kobayashi**, Matsumoto (JP)
- (73) Assignee: **SEIKO EPSON CORPORATION**,
Tokyo (JP)
- (**) Term: **14 Years**

| | | | |
|--------------|---------|----------------|--------|
| 6,550,890 B2 | 4/2003 | Saijo | |
| 6,634,742 B2 | 10/2003 | Owaki et al. | |
| 6,641,250 B2 | 11/2003 | Saito | |
| 6,817,695 B1 | 11/2004 | Aldrich et al. | |
| 7,021,741 B2 | 4/2006 | Aldrich et al. | |
| 7,195,334 B2 | 3/2007 | Nakamura | |
| 7,290,850 B2 | 11/2007 | Nishino | |
| 7,311,375 B2 | 12/2007 | Suzuki et al. | |
| 7,455,385 B2 | 11/2008 | Takeda | |
| D611,532 S | 3/2010 | Nanjo et al. | |
| D618,722 S | 6/2010 | Nakazawa | |
| 8,376,510 B2 | 2/2013 | Mealy et al. | |
| D680,165 S * | 4/2013 | Takagi | D18/56 |
| D681,728 S * | 5/2013 | Takagi | D18/56 |

(Continued)

(21) Appl. No.: **29/501,257**

(22) Filed: **Sep. 3, 2014**

Related U.S. Application Data

- (62) Division of application No. 29/464,546, filed on Aug. 19, 2013, now Pat. No. Des. 726,252.
- (51) **LOC (10) Cl.** **18-02**
- (52) **U.S. Cl.** **D18/56**
USPC **D18/56**
- (58) **Field of Classification Search**
USPC D18/12, 40, 43, 56; 347/24, 29-32, 50,
347/86-87
CPC B41J 2/16508; B41J 2/16523; B41J
2/16547; B41J 2/17513; B41J 2002/14491
See application file for complete search history.

(56) **References Cited**

U.S. PATENT DOCUMENTS

| | | |
|--------------|---------|-------------------|
| 5,644,346 A | 7/1997 | Schwiebert et al. |
| 5,867,184 A | 2/1999 | Quintana |
| 6,152,555 A | 11/2000 | Nozawa et al. |
| 6,390,593 B1 | 5/2002 | De Roos et al. |
| 6,422,681 B1 | 7/2002 | Berg et al. |
| D465,803 S | 11/2002 | Tajima |
| 6,474,796 B1 | 11/2002 | Ishinaga |

FOREIGN PATENT DOCUMENTS

| | | |
|----|------------|---------|
| EP | 0947328 A2 | 10/1999 |
| EP | 2103435 A2 | 9/2009 |

(Continued)

Primary Examiner — Cathy Anne MacCormac

(57) **CLAIM**

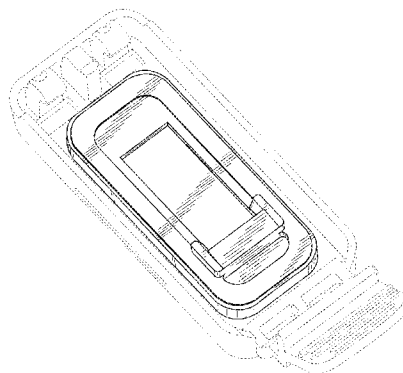
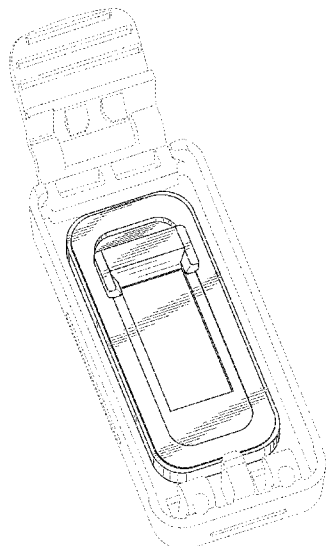
The ornamental design for a cap for an ink cartridge, as shown and described.

DESCRIPTION

FIG. 1 is a front, top and right side perspective view of a cap for an ink cartridge showing our new design;
 FIG. 2 is a rear, top and left side perspective view thereof;
 FIG. 3 is a front view thereof;
 FIG. 4 is a rear view thereof;
 FIG. 5 is a top plan view thereof;
 FIG. 6 is a bottom plan view thereof;
 FIG. 7 is a right side view thereof; and,
 FIG. 8 is a left side view thereof.

The features shown in broken lines in the drawings depict environmental subject matter only and form no part of the claimed design.

1 Claim, 8 Drawing Sheets



(56)

References Cited

FOREIGN PATENT DOCUMENTS

U.S. PATENT DOCUMENTS

| | | | | |
|--------------|------|---------|-----------------|------------------------|
| D695,823 | S | 12/2013 | Nozawa et al. | |
| D699,284 | S | 2/2014 | Nanjo et al. | |
| D721,132 | S * | 1/2015 | Kobayashi | D18/56 |
| 9,061,512 | B2 * | 6/2015 | Nozawa | B41J 2/17503 347/86 |
| 9,308,735 | B2 | 4/2016 | Nozawa et al. | |
| 2004/0100540 | A1 | 5/2004 | Hatasa et al. | |
| 2005/0068386 | A1 | 3/2005 | Hatasa et al. | |
| 2006/0203051 | A1 | 9/2006 | Kanbe | |
| 2006/0227190 | A1 | 10/2006 | Ishizawa et al. | |
| 2007/0236549 | A1 | 10/2007 | Yamada | |
| 2008/0204526 | A1 | 8/2008 | Pearson et al. | |
| 2008/0231672 | A1 | 9/2008 | Mano | |
| 2009/0167826 | A1 | 7/2009 | Ishizawa et al. | |
| 2010/0277555 | A1 | 11/2010 | Katoh et al. | |
| 2011/0241231 | A1 | 10/2011 | Mizutani et al. | |

| | | | |
|----|-------------|----|---------|
| EP | 2127886 | A1 | 12/2009 |
| EP | 2380744 | A2 | 10/2011 |
| EP | 2837499 | A2 | 2/2015 |
| JP | H10-44454 | A | 2/1998 |
| JP | 110-217500 | A | 8/1998 |
| JP | 2005-103855 | A | 4/2005 |
| JP | 2005-205893 | A1 | 8/2005 |
| JP | 2006-248053 | A | 9/2006 |
| JP | 2006-306035 | A1 | 11/2006 |
| JP | 2010-260202 | A | 11/2010 |
| JP | 2011-207067 | A | 10/2011 |
| WO | 2006-028082 | A1 | 3/2006 |

* cited by examiner

FIG. 1

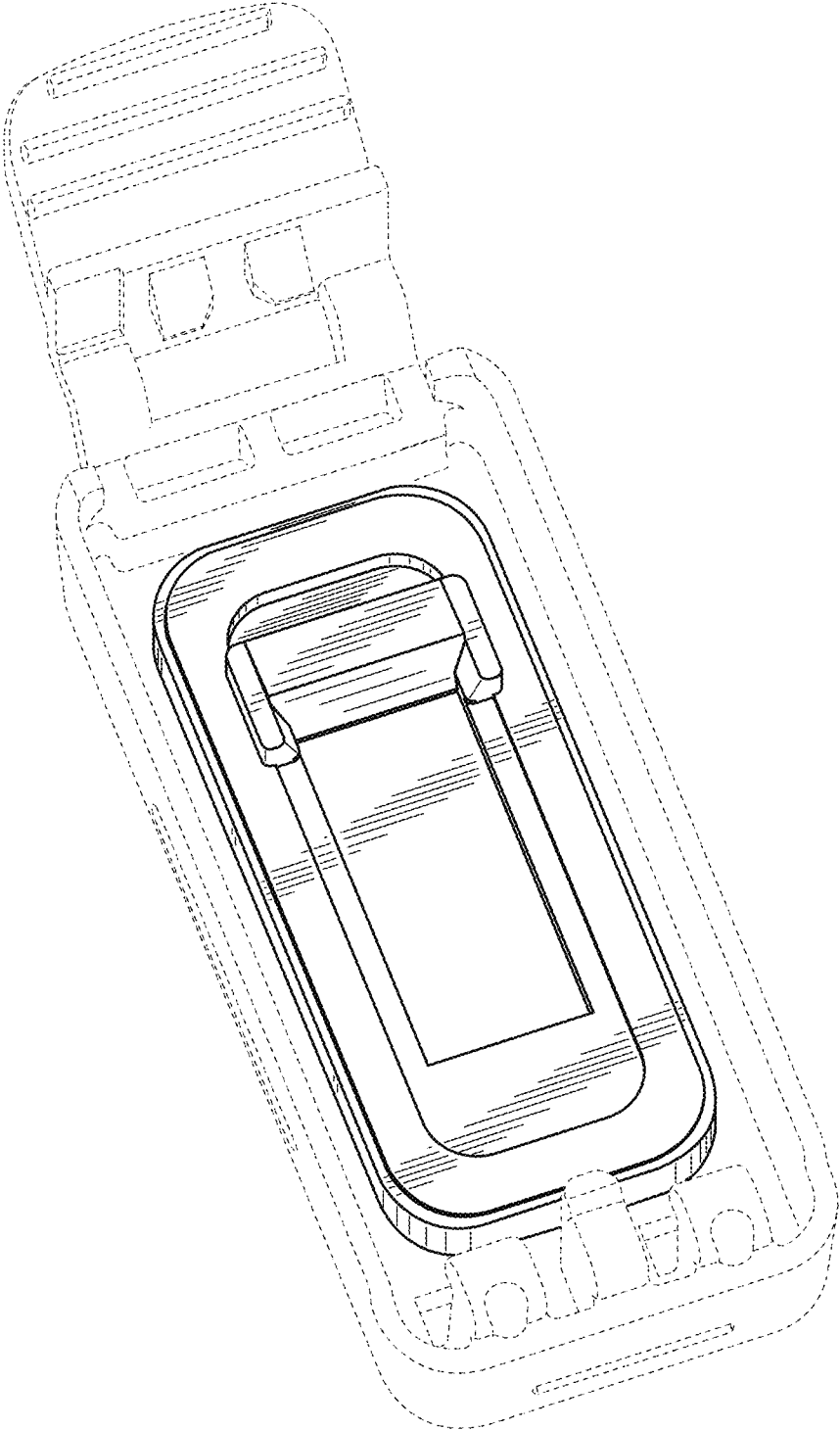


FIG. 2

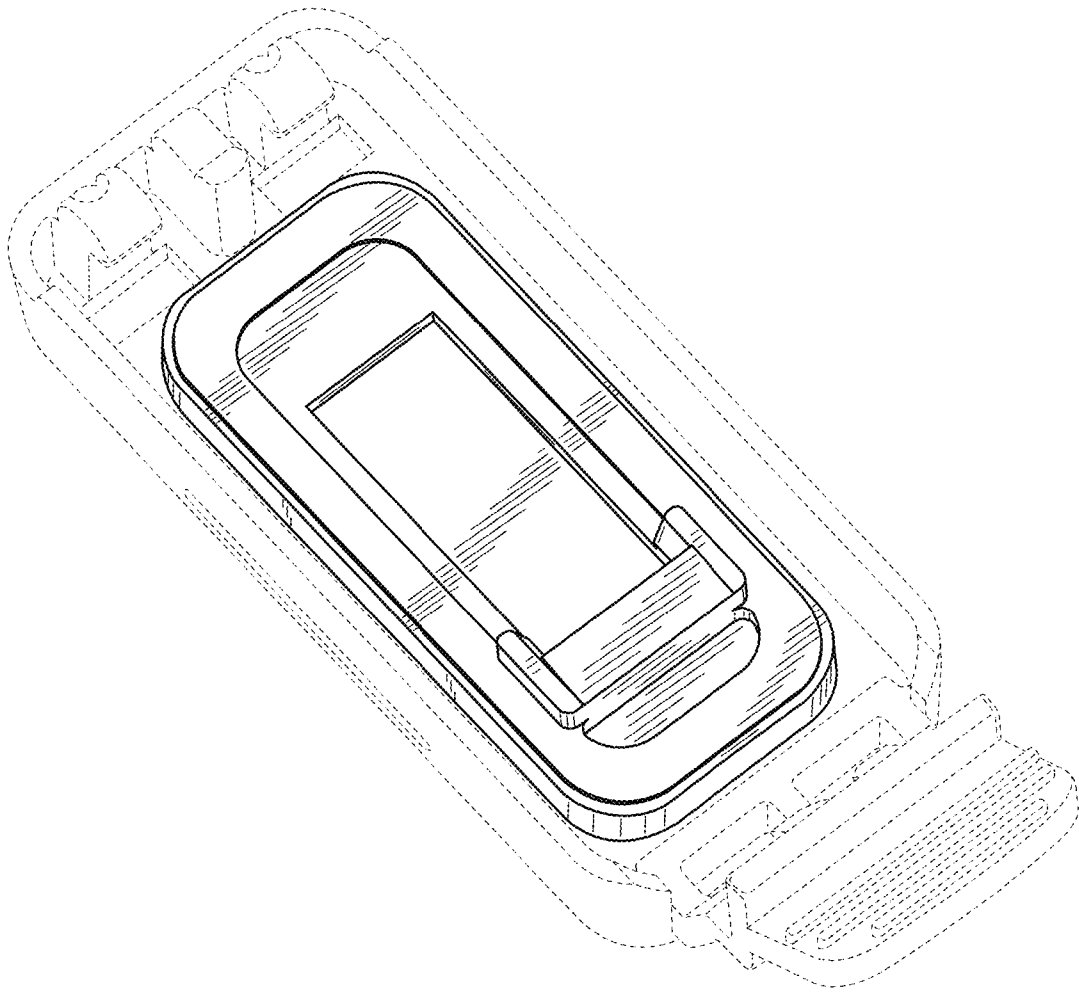


FIG. 3

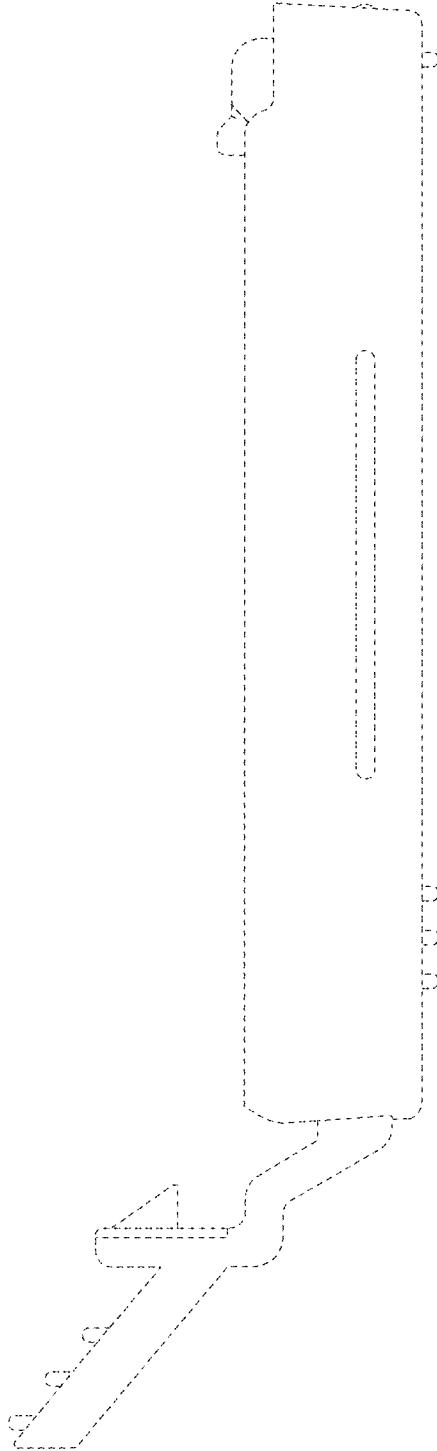


FIG. 4

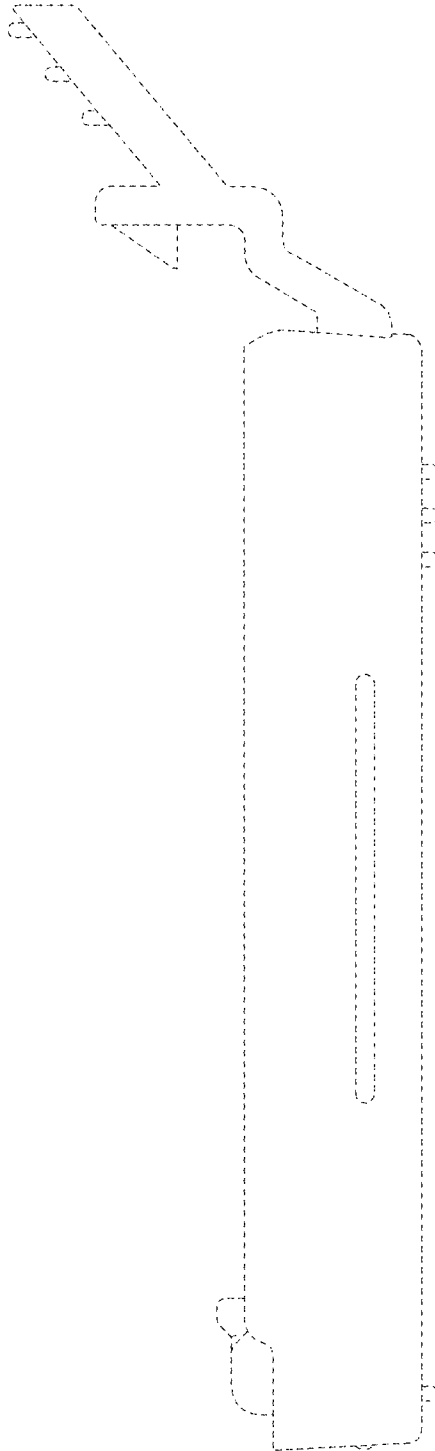


FIG. 5

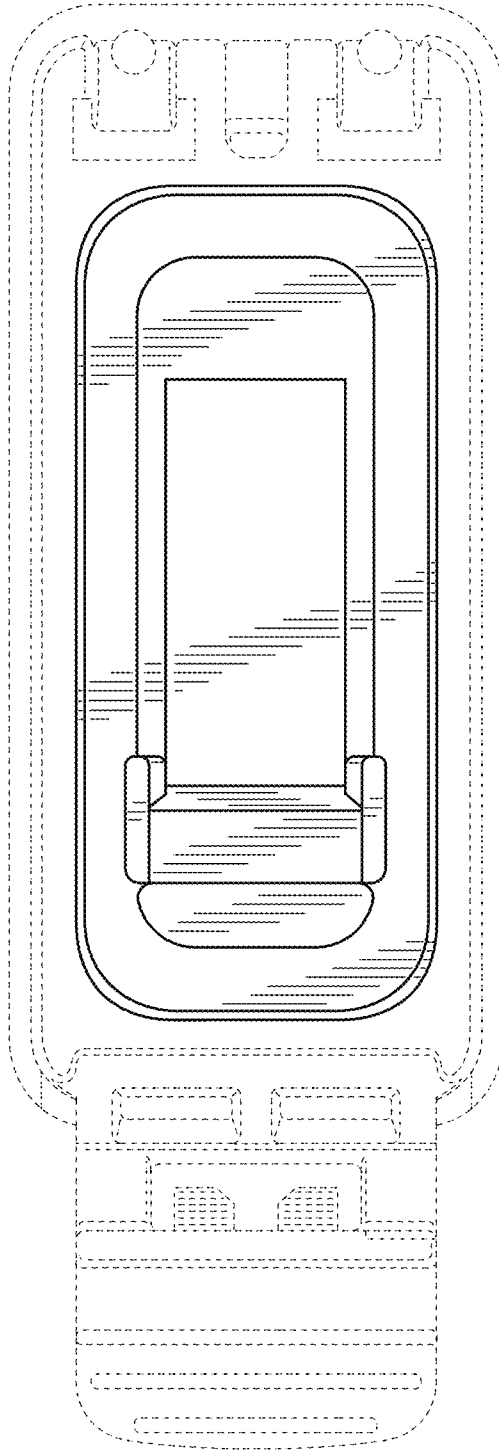


FIG. 6

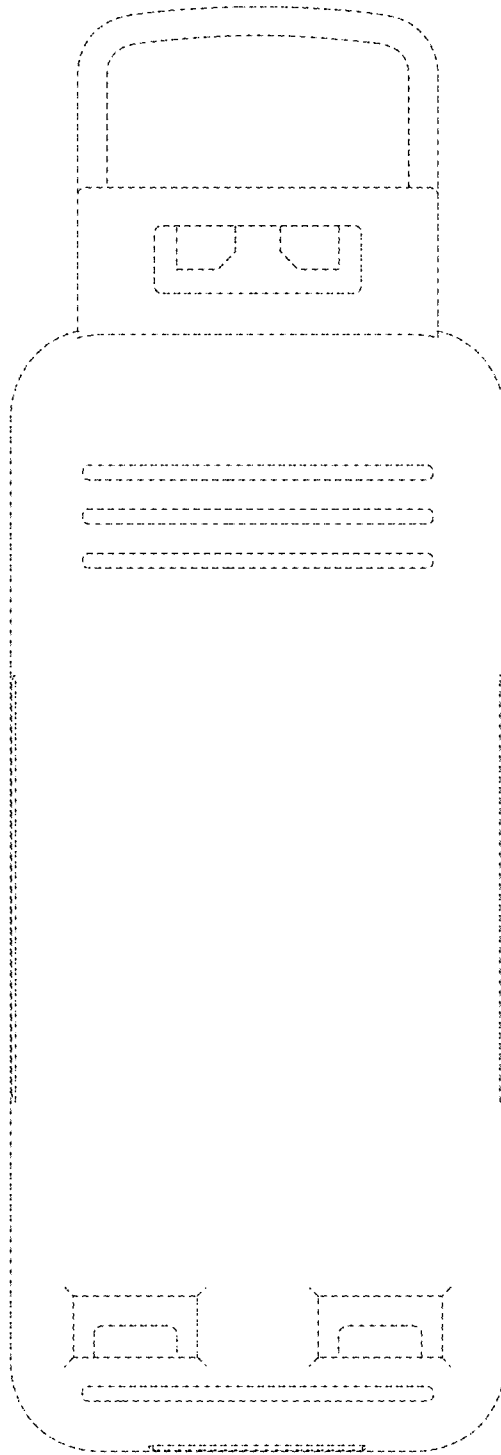


FIG. 7

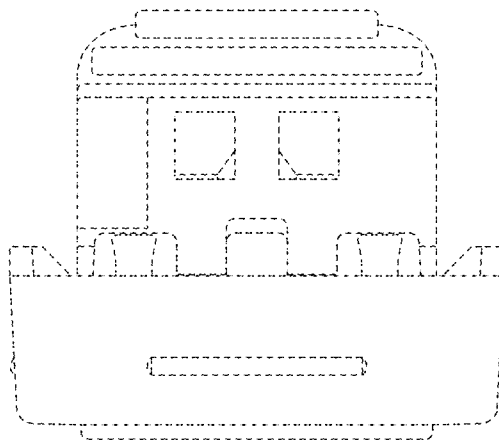


FIG. 8

