



US00D731458S

(12) **United States Design Patent**
Goransson

(10) **Patent No.:** **US D731,458 S**

(45) **Date of Patent:** **** Jun. 9, 2015**

(54) **HEADSET**

(71) Applicant: **GN Netcom A/S, Ballerup (DK)**

(72) Inventor: **Magnus Goransson, Dalby (SE)**

(73) Assignee: **GN Netcom A/S (DK)**

(**) Term: **14 Years**

(21) Appl. No.: **29/488,761**

(22) Filed: **Apr. 23, 2014**

Related U.S. Application Data

(62) Division of application No. 29/429,785, filed on Aug. 16, 2012, now Pat. No. Des. 706,244.

Foreign Application Priority Data

Feb. 16, 2012 (EM) 001993015-0001

Feb. 16, 2012 (EM) 001993015-0002

(51) **LOC (10) Cl.** **14-01**

(52) **U.S. Cl.**
USPC **D14/206**

(58) **Field of Classification Search**
USPC D14/206, 205, 225; 181/129, 130, 135;
379/430, 431, 428.02; 381/380, 381,
381/371; 455/90.3, 575.1

CPC H04R 25/00
See application file for complete search history.

(56) **References Cited**

U.S. PATENT DOCUMENTS

2,593,892 A * 4/1952 Kindel 181/129
3,311,713 A * 3/1967 Knuebel 381/375
D228,352 S * 9/1973 Itagaki D14/205

5,033,094 A * 7/1991 Hung 381/379
5,369,857 A * 12/1994 Sacherman et al. 29/594
5,613,222 A * 3/1997 Guenther 455/575.2
D436,348 S * 1/2001 McGugan D14/142
D448,749 S 10/2001 Weikel et al.
D463,783 S 10/2002 Rath
6,560,346 B2 * 5/2003 Ohta et al. 381/382
D480,072 S * 9/2003 Ham D14/223
D514,086 S 1/2006 Skulley
D517,528 S * 3/2006 Skulley D14/206
D529,900 S 10/2006 Skulley et al.
D530,307 S * 10/2006 Rath D14/206
D531,165 S 10/2006 Rath
D533,166 S 12/2006 Marquez
D587,685 S * 3/2009 Densho D14/206
7,519,196 B2 4/2009 Bech
D602,001 S * 10/2009 Bentley D14/206
D602,908 S * 10/2009 Ham et al. D14/206
D628,189 S 11/2010 Rath
D643,405 S 8/2011 Rath
D654,472 S * 2/2012 Fischer D14/206
D666,168 S * 8/2012 Rath D14/206
D673,523 S * 1/2013 Brennwald D14/206
D673,524 S 1/2013 Brennwald
D681,014 S * 4/2013 Ham et al. D14/223

(Continued)

Primary Examiner — Paula Greene

(74) *Attorney, Agent, or Firm* — Altera Law Group, LLC

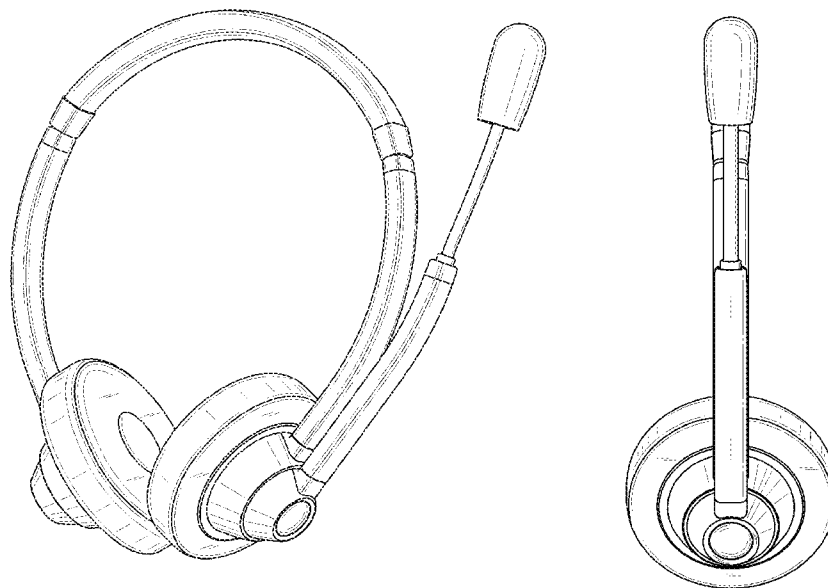
(57) **CLAIM**

The ornamental design for a headset, as shown and described.

DESCRIPTION

FIG. 1 is a front perspective view of an embodiment.
FIG. 2 is a front elevational view of FIG. 1 thereof;
FIG. 3 is a side elevational view of FIG. 1 thereof;
FIG. 4 is the other side elevational view of FIG. 1 thereof;
FIG. 5 is a top plan view of FIG. 1 thereof; and,
FIG. 6 is a bottom plan view of FIG. 1 thereof.

1 Claim, 4 Drawing Sheets



US D731,458 S

Page 2

(56)

References Cited

U.S. PATENT DOCUMENTS

| | | | | |
|-----------------|---------|--------------------|---------|---------------------|
| D706,244 S * | 6/2014 | Goransson | D14/225 | |
| D719,135 S * | 12/2014 | Kelley | D14/205 | |
| 2011/0228925 A1 | 9/2011 | Birch | | |
| D684,559 S * | 6/2013 | Groset et al. | D14/205 | |
| D691,110 S * | 10/2013 | Ham et al. | D14/205 | * cited by examiner |



Fig. 1

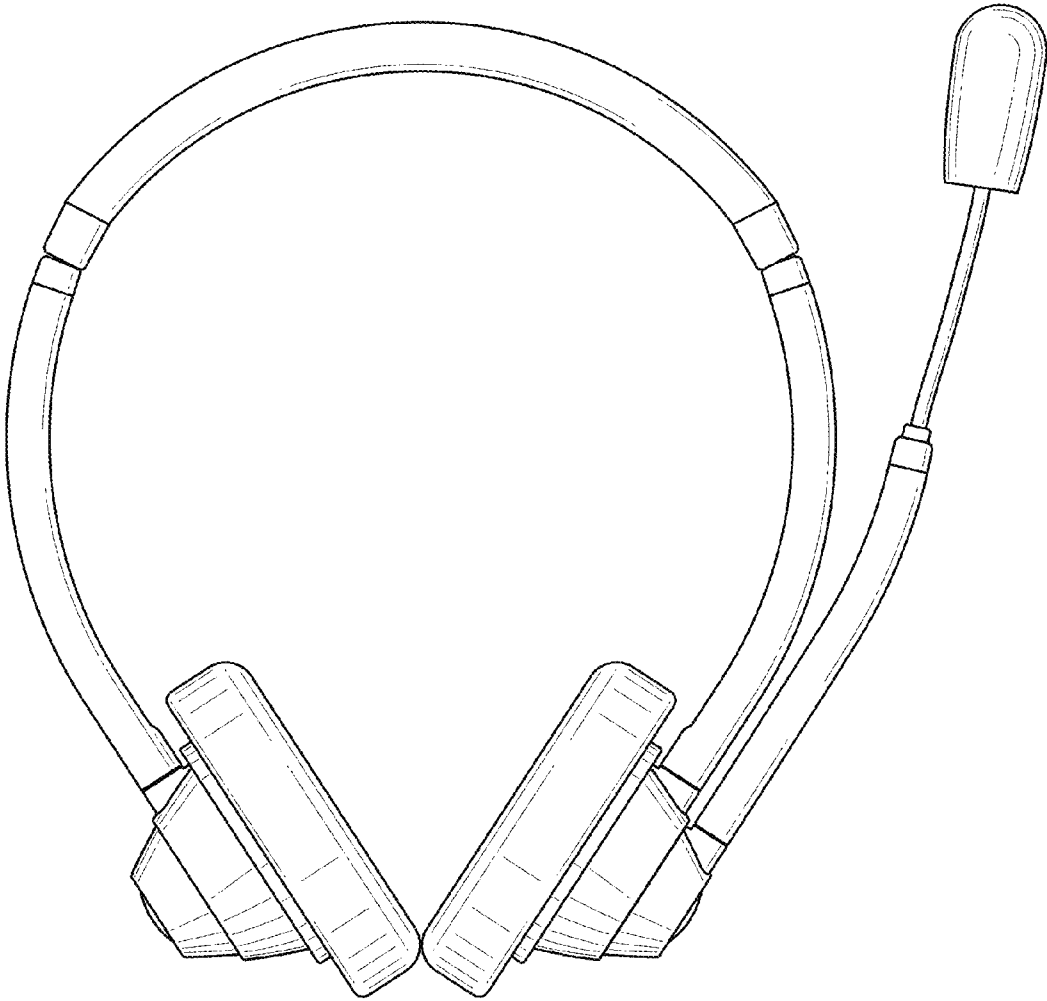


Fig. 2

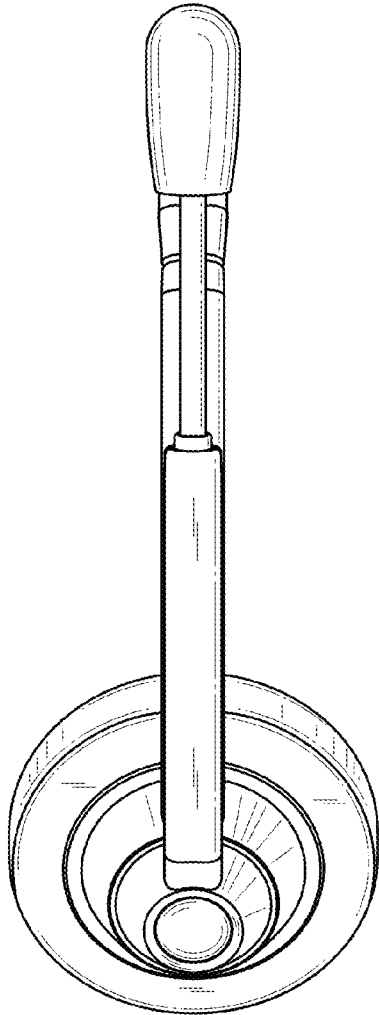


Fig. 3

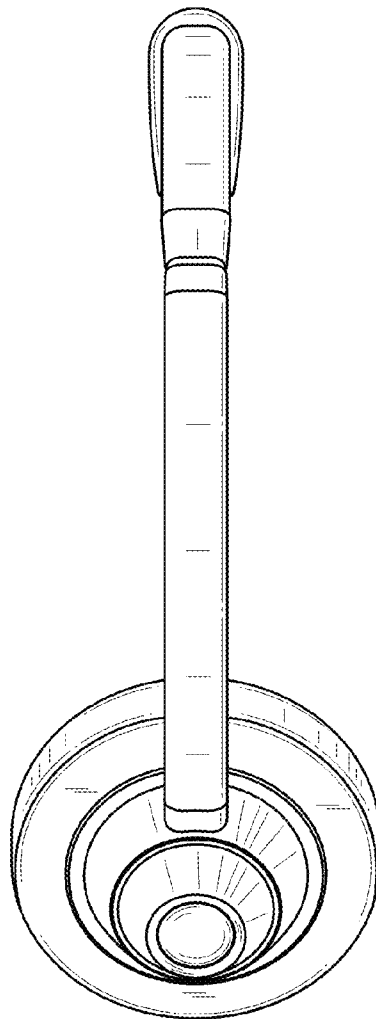


Fig. 4

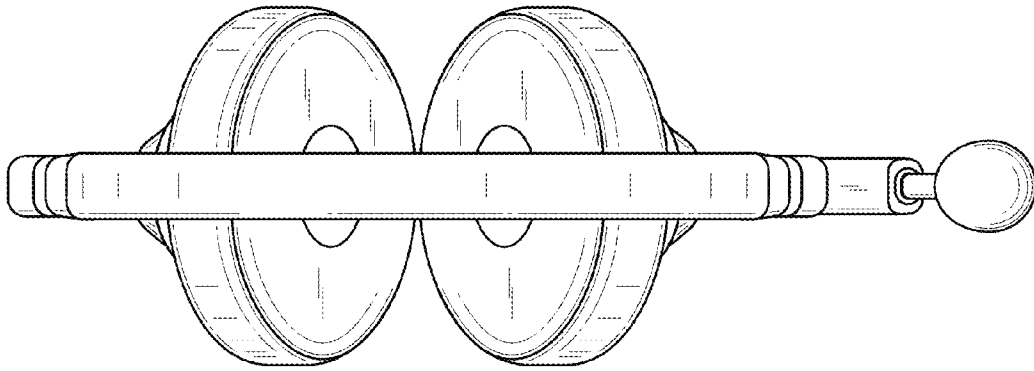


Fig. 5

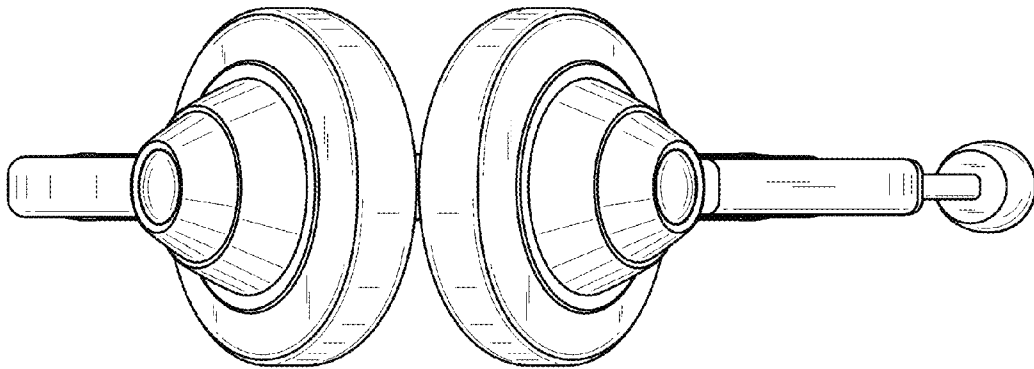


Fig. 6