



US00D780803S

(12) **United States Design Patent**  
**Gill et al.**

(10) **Patent No.:** **US D780,803 S**  
(45) **Date of Patent:** **\*\* Mar. 7, 2017**

(54) **DISPLAY PANEL PORTION WITH ICON**  
(71) Applicant: **Orange Research, Inc.**, Milford, CT (US)  
(72) Inventors: **James Gill**, Shelton, CT (US); **Roy Nordstrom**, Durham, CT (US)  
(73) Assignee: **Orange Research, Inc.**, Milford, CT (US)

D551,672 S \* 9/2007 Wirz ..... D14/485  
D592,219 S 5/2009 Agarwal et al.  
D606,560 S \* 12/2009 Kocmick ..... D14/494  
D684,187 S \* 6/2013 Ridl ..... D14/491  
D688,697 S \* 8/2013 Phelan ..... D14/489  
D688,698 S \* 8/2013 Phelan ..... D14/489  
D696,288 S \* 12/2013 Kern ..... D14/488  
D696,296 S \* 12/2013 Kern ..... D14/488  
D701,534 S \* 3/2014 Jang ..... D14/492  
D706,283 S 6/2014 Pedraza Padilla et al.  
D709,096 S \* 7/2014 Matas ..... D14/492

(Continued)

(\*\*) Term: **14 Years**

**OTHER PUBLICATIONS**

(21) Appl. No.: **29/506,523**

Thermo Scientific\*Locator\* PLUS Liquid Nitrogen Level Monitor, LABSUPPLYOUTLAWS.COM, <<http://www.labsupplyoutlaws.com/thermo-scientific-locator-plus-liquid-nitrogen-level-monitor.htm>>, Captured Jul. 9, 2014.

(22) Filed: **Oct. 16, 2014**

(51) **LOC (10) Cl.** ..... **14-04**

(52) **U.S. Cl.**

USPC ..... **D14/489**

(58) **Field of Classification Search**

USPC ..... D14/485-495

CPC .. G06F 3/048; G06F 3/04842; G06F 3/04847; G06F 3/0481; G06F 17/211; G06F 17/212

See application file for complete search history.

(Continued)

*Primary Examiner* — Darlington Ly  
*Assistant Examiner* — Daniel J Domino  
(74) *Attorney, Agent, or Firm* — Wiggin and Dana LLP; Gregory S. Rosenblatt

(56) **References Cited**

(57) **CLAIM**

**U.S. PATENT DOCUMENTS**

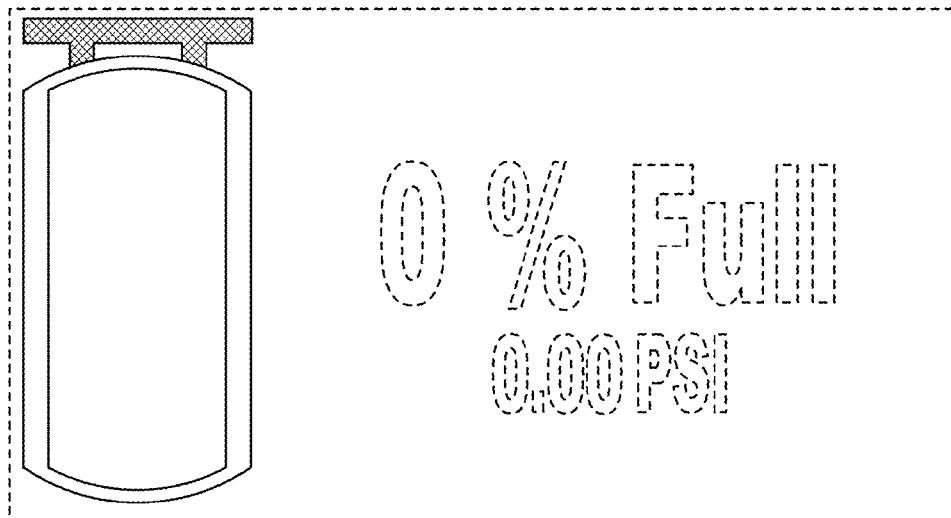
The ornamental design for a display panel portion with icon, as shown and described.

4,586,136 A 4/1986 Lewis  
4,799,083 A 1/1989 Knodt  
D384,341 S 9/1997 Hoffman et al.  
D399,837 S 10/1998 Garguilo  
D402,645 S 12/1998 Garguilo  
5,919,154 A 7/1999 Toavs et al.  
D422,989 S 4/2000 Herceg et al.  
D437,859 S \* 2/2001 Alvarez ..... D14/489  
D478,596 S \* 8/2003 Cockerill ..... D14/489  
D496,940 S 10/2004 Fetterman  
D515,445 S 2/2006 Perlin  
D533,872 S \* 12/2006 Ligameri ..... D14/492  
D549,725 S \* 8/2007 Nijima ..... D14/491

**DESCRIPTION**

FIG. 1 is a front view of a display panel portion with icon; FIG. 2 is a second embodiment thereof; FIG. 3 is a third embodiment thereof; and, FIG. 4 is a fourth embodiment thereof. The broken lines showing portions of a display panel and portions of the icon illustrate portions of the article, and form no part of the claimed design.

**1 Claim, 4 Drawing Sheets**



(56)

References Cited

U.S. PATENT DOCUMENTS

D710,372 S \* 8/2014 Dellinger ..... D14/486  
 D711,913 S \* 8/2014 Francisco ..... D14/489  
 D715,322 S \* 10/2014 Sakata ..... D14/492  
 D726,210 S \* 4/2015 Angelides ..... D14/486  
 D726,220 S \* 4/2015 Biehl ..... D14/492  
 D741,366 S \* 10/2015 Torres ..... D14/485  
 D741,368 S \* 10/2015 Supino ..... D14/490  
 D741,369 S \* 10/2015 Varga ..... D14/492  
 D741,370 S \* 10/2015 Torres ..... D14/492  
 D748,645 S \* 2/2016 Kim ..... D14/485  
 D749,125 S \* 2/2016 Meegan ..... D14/489  
 D749,637 S \* 2/2016 Lee ..... D14/492  
 D752,072 S \* 3/2016 Song ..... D14/486  
 D753,669 S \* 4/2016 Chen ..... D14/485  
 D757,795 S \* 5/2016 Lee ..... D14/489  
 D758,383 S \* 6/2016 Kang ..... D14/485  
 D758,384 S \* 6/2016 Kang ..... D14/485  
 D758,390 S \* 6/2016 Oyama ..... D14/485  
 D758,401 S \* 6/2016 Lee ..... D14/486  
 D759,063 S \* 6/2016 Chen ..... D14/486  
 D760,279 S \* 6/2016 Lee ..... D14/489

D761,308 S \* 7/2016 Jewitt ..... D14/489  
 D761,855 S \* 7/2016 Oh ..... D14/489  
 D763,295 S \* 8/2016 Zuckerberg ..... D14/486  
 D765,698 S \* 9/2016 Kwon ..... D14/486  
 D765,722 S \* 9/2016 Aoshima ..... D14/489

OTHER PUBLICATIONS

Stem Cell Bank Monitoring Management System for Liquid Nitrogen Biological Container, SJ CRYO, <[http://sjcryo.en.alibaba.com/product/904449934-218722837/Manufacturer\\_supply\\_liquid\\_nitrogen\\_container\\_YDS\\_30B\\_80.html](http://sjcryo.en.alibaba.com/product/904449934-218722837/Manufacturer_supply_liquid_nitrogen_container_YDS_30B_80.html)>, captured Jul. 9, 2014.  
 Model LM-510 Liquid Crygen Monitor, Janis Research, <<http://www.janis.com/products/accessoriesandancillaryequipment/CryogenLevelIndicators.aspx>>, captured Jul. 9, 2014.  
 Pump Control Unit—PCU, Emitter Electronics, <<http://www.emitter.org/products-pcu.html>>, captured Oct. 27, 2014.  
 PD6701 Vantageview Feet & Inches Level Meter, Precision Digital, <<http://www.predig.com/PD6701/index.php>>, captured Oct. 27, 2014.

\* cited by examiner

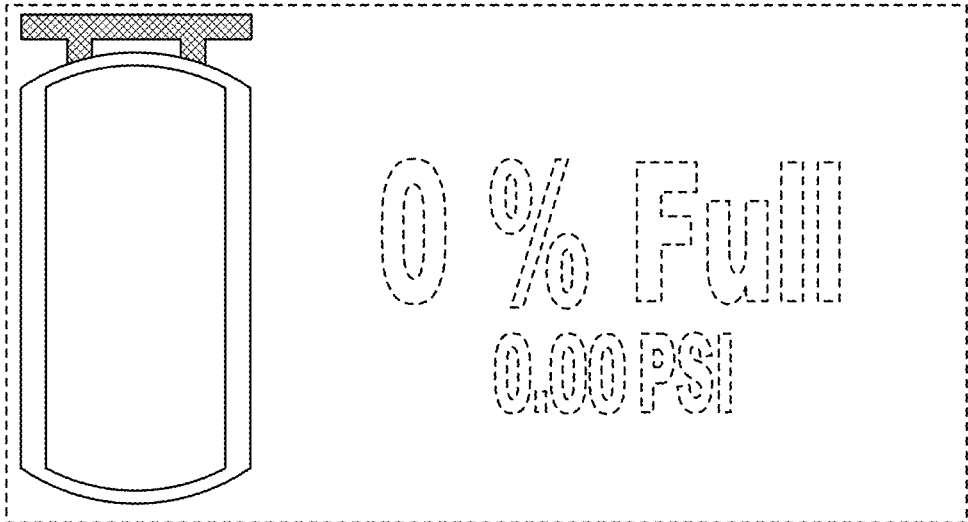


FIG. 1

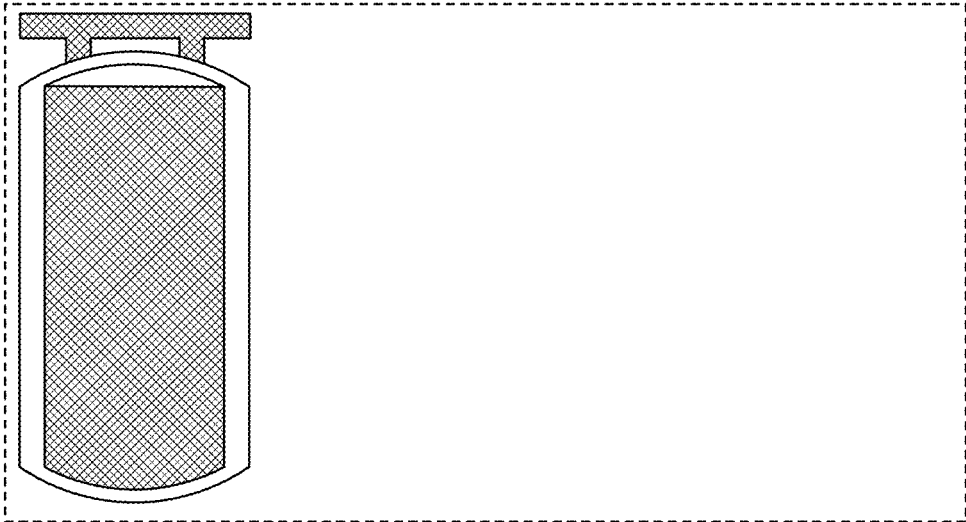


FIG. 2

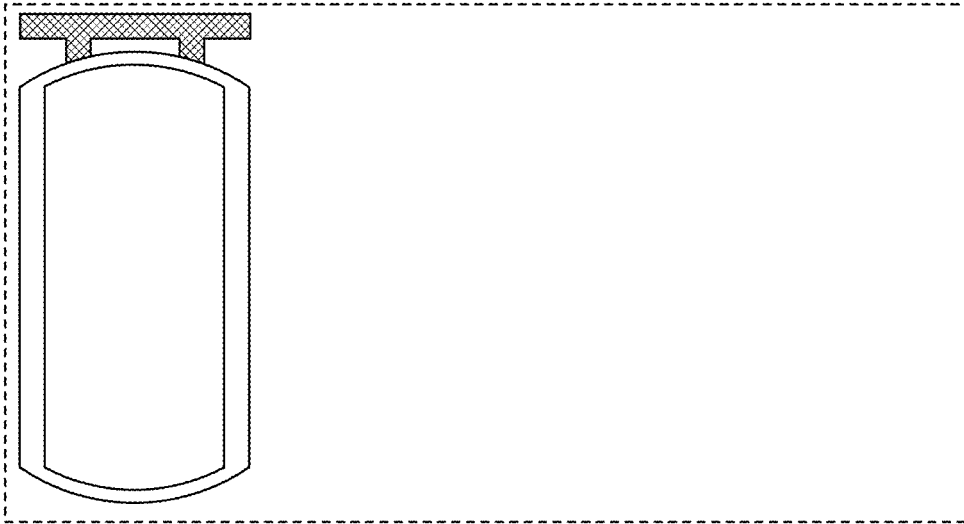


FIG. 3

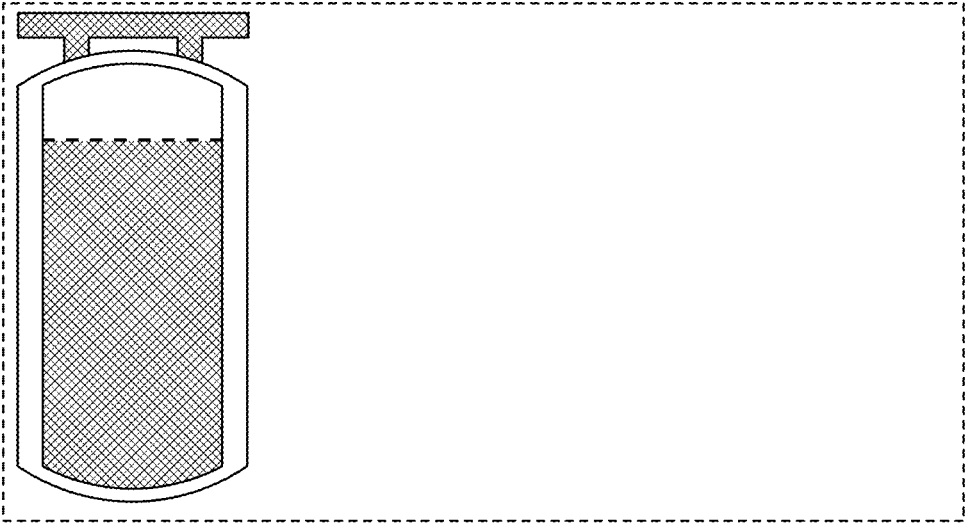


FIG. 4