



US00D655993S

(12) **United States Design Patent**
Bunnag et al.

(10) **Patent No.:** **US D655,993 S**

(45) **Date of Patent:** **** Mar. 20, 2012**

(54) **STAR ROLLER**

(75) Inventors: **Paradee Bunnag**, Waynesboro, VA
(US); **James Naderi**, Richmond, VA
(US)

(73) Assignee: **American Safety Razor**, Verona, VA
(US)

(**) Term: **14 Years**

(21) Appl. No.: **29/362,050**

(22) Filed: **May 19, 2010**

(51) **LOC (9) Cl.** **08-05**

(52) **U.S. Cl.** **D8/15; D7/694**

(58) **Field of Classification Search** D8/15,
D8/105; 156/579, 304.7, 304.4; 492/13,
492/19, 35, 43, 44, 15, 16; 30/306, 307,
30/319, 314, 315, 329, 292, 299, 276; 7/111;
D7/694, 672, 677, 368, 669, 697; 452/142;
425/458, 363, 374, 398, 303, 304, 298, 194
See application file for complete search history.

(56) **References Cited**

U.S. PATENT DOCUMENTS

2,693,893 A * 11/1954 Rice et al. 492/13
3,994,652 A * 11/1976 Kuzyk 425/298
D252,180 S * 6/1979 Zuber D7/694

D253,155 S * 10/1979 Jurida D7/694
4,224,726 A * 9/1980 Walker 492/13
4,439,904 A * 4/1984 Hoopengardner et al. ... 156/579
D341,427 S * 11/1993 Koll D24/211
D401,815 S * 12/1998 Filipovic D7/682
D402,513 S * 12/1998 Goodrich D8/15
5,971,453 A * 10/1999 Schlisner 294/8.6
D481,268 S * 10/2003 Hibbert et al. D7/682
6,685,609 B2 * 2/2004 Carder 492/13

* cited by examiner

Primary Examiner — Terry Wallace

(74) *Attorney, Agent, or Firm* — McDermott Will & Emery
LLP

(57) **CLAIM**

The ornamental design for a star roller, as shown and
described.

DESCRIPTION

FIG. 1 is a top perspective view of the star roller, showing the
new design;

FIG. 2 is a front view of the star roller;

FIG. 3 is a rear view of the star roller;

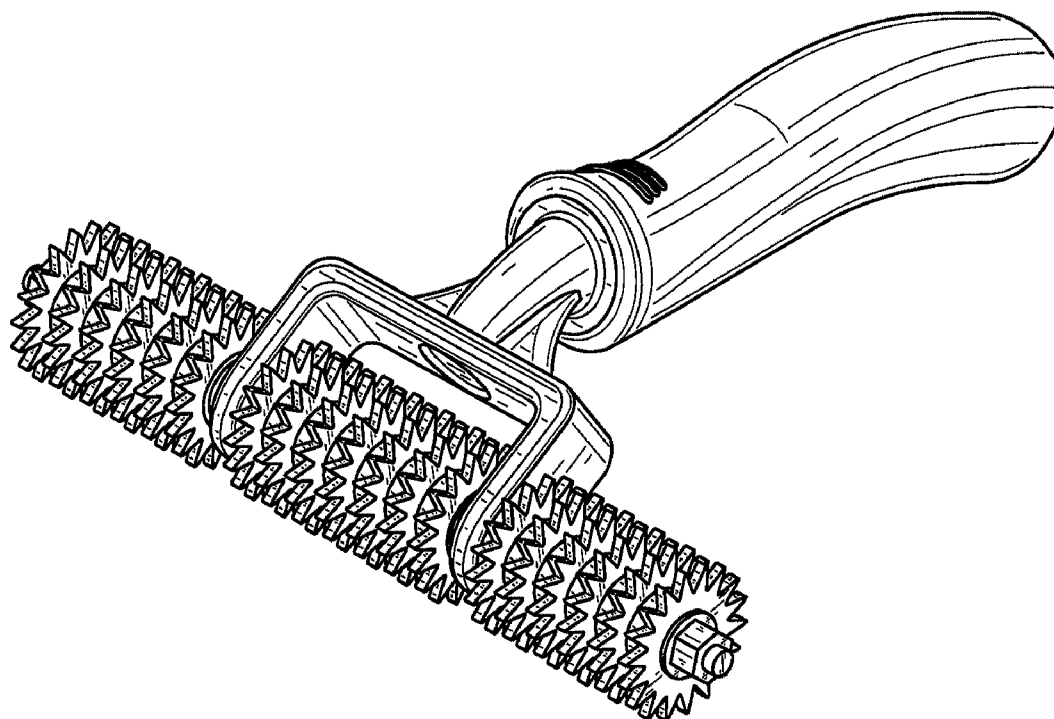
FIG. 4 is a side view of the star roller;

FIG. 5 is another side view of the star roller;

FIG. 6 is a top view of the star roller; and,

FIG. 7 is a bottom view of the star roller.

1 Claim, 5 Drawing Sheets



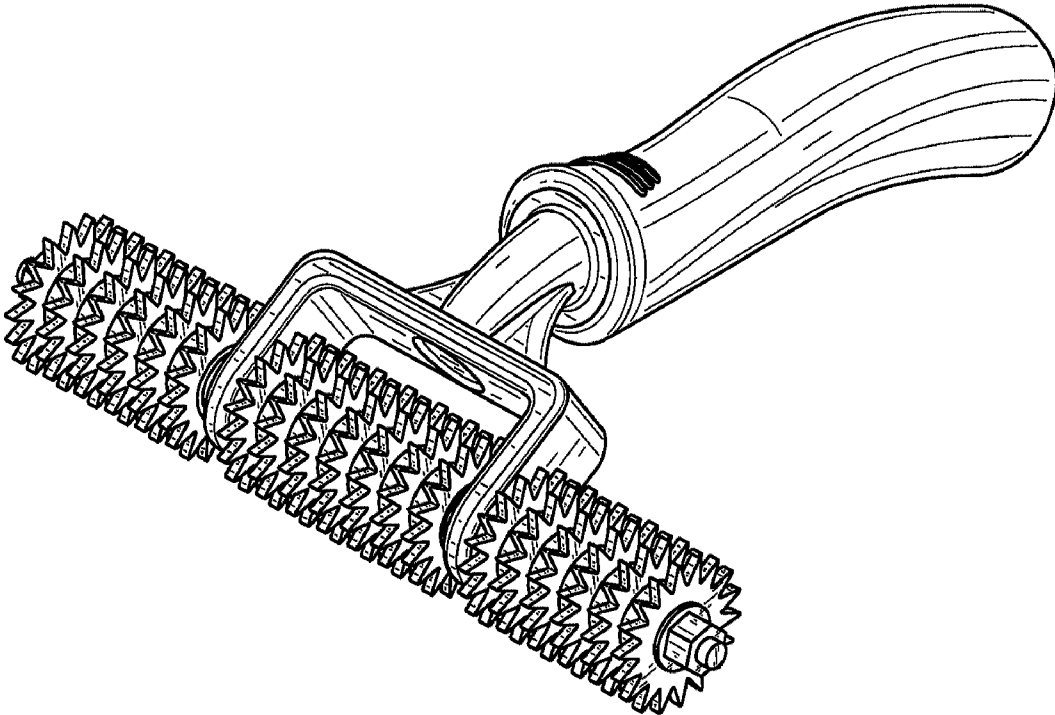


FIG. 1

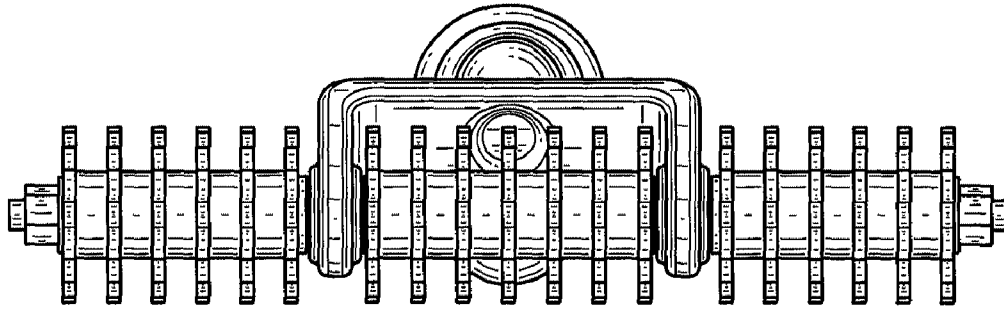


FIG. 2

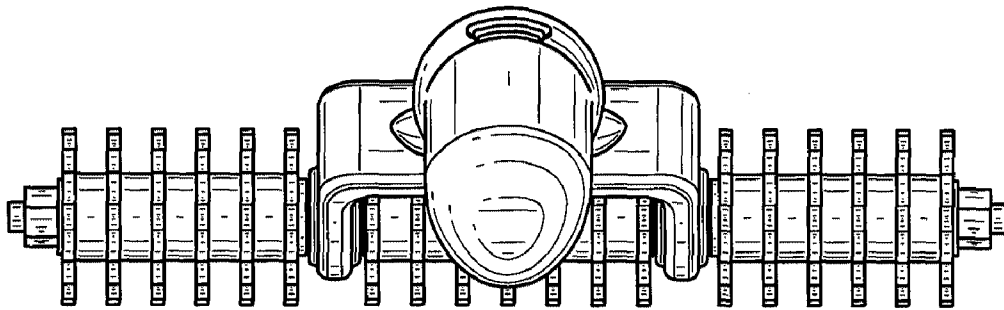


FIG. 3

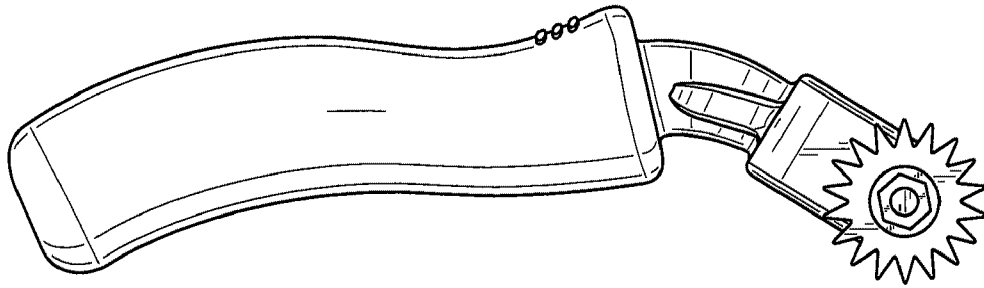


FIG. 4

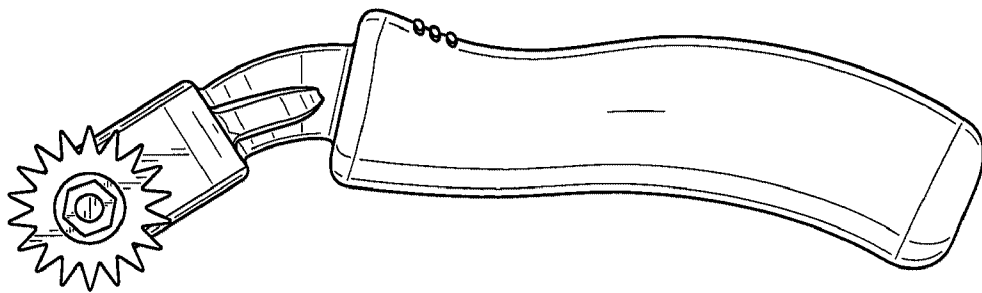


FIG. 5

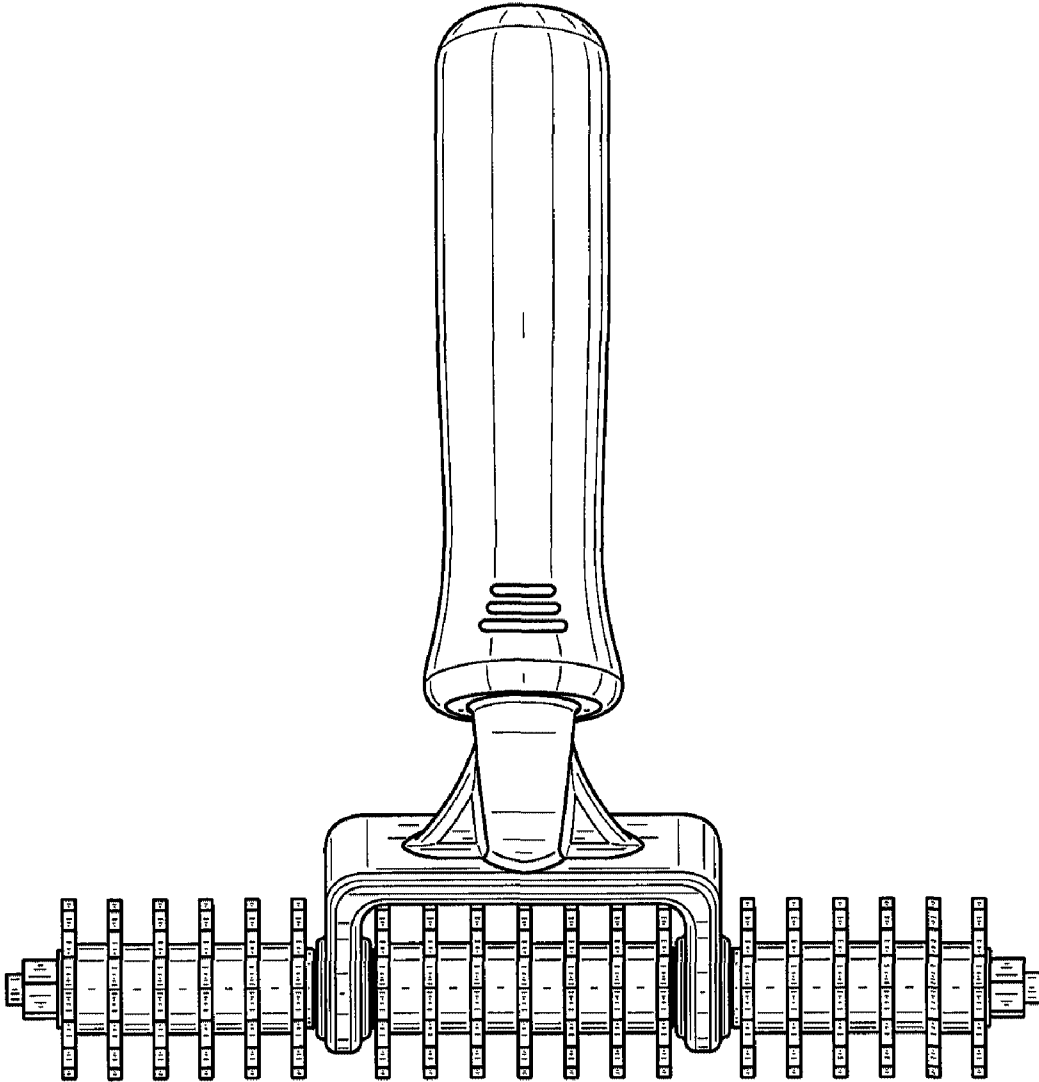


FIG. 6

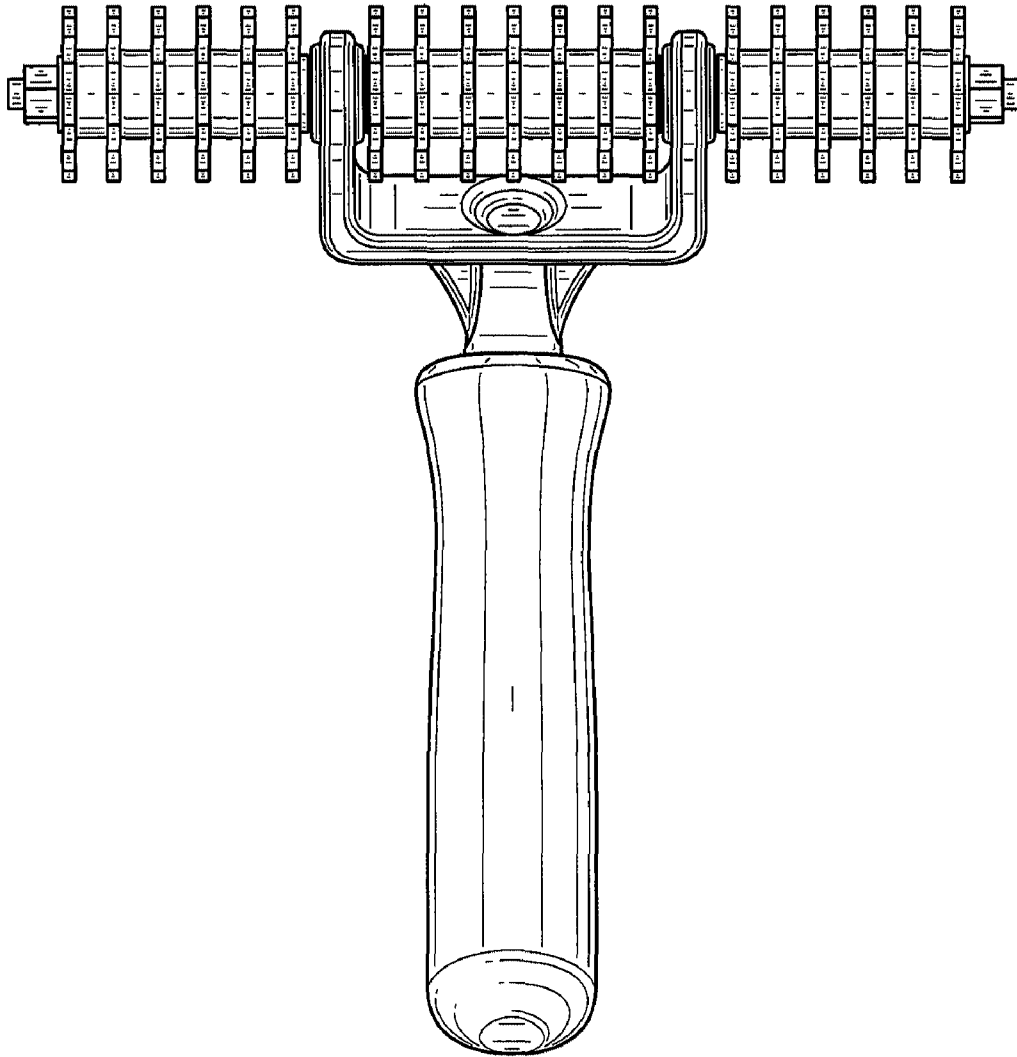


FIG. 7