

(12) **UK Patent Application** (19) **GB** (11) **2 304 141** (13) **A**

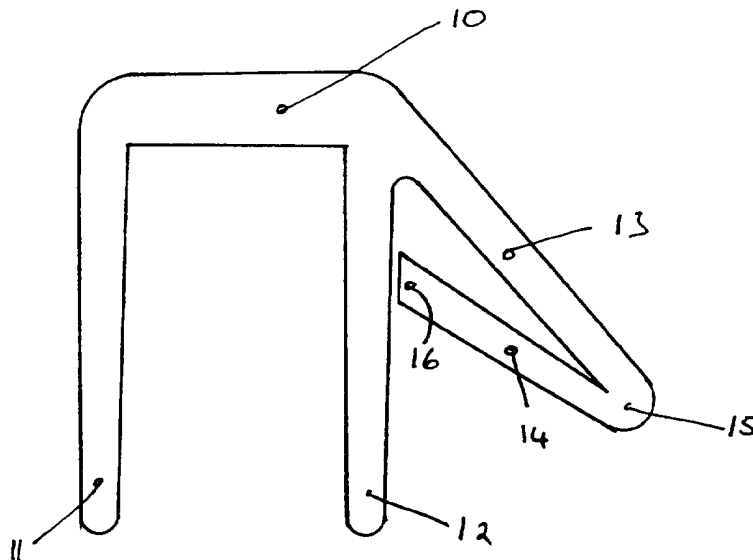
(43) Date of A Publication 12.03.1997

<p>(21) Application No 9516235.0</p> <p>(22) Date of Filing 08.08.1995</p>	<p>(51) INT CL⁶ A47C 21/02</p>
<p>(71) Applicant(s) Robin Middlemass Howie 12 Morningside Road, EDINBURGH, EH10 4DB, United Kingdom</p> <p>Moira Georgina Howie 12 Morningside Road, EDINBURGH, EH10 4DB, United Kingdom</p> <p>(72) Inventor(s) Robin Middlemass Howie Moira Georgina Howie</p> <p>(74) Agent and/or Address for Service Robin Middlemass Howie 12 Morningside Road, EDINBURGH, EH10 4DB, United Kingdom</p>	<p>(52) UK CL (Edition O) E2A AAN A121 A122 A427 A441 U1S S1213 S1216</p> <p>(56) Documents Cited GB 2247169 A GB 2218628 A GB 2215382 A GB 2204925 A GB 0759867 A GB 0380767 A WO 93/21802 A1</p> <p>(58) Field of Search UK CL (Edition O) A4S S15 , E2A AAN AGF AHA AHC INT CL⁶ A47C 21/02 Online: WPI</p>

(54) **A domestic aid**

(57) A Domestic Aid to help when fitting domestic items such as duvets, pillows or cushions into covers. Aid 10 consists of a clip which has a receptacle formed by Legs 11 and 12 which can be securely anchored by fitting over a door, table, bedhead or other secure structure and a secure means, formed by the self-locking clip, formed by Legs 12 and 14 and Strut 13, of retaining the duvet, pillow or cushion inside their cover while the cover is pulled over the duvet, pillow or cushion. Alternatively, if the duvet, pillow or cushion and cover is constructed or fitted with suitable anchoring means, the above self-locking clip can be replaced by a simple hook or protuberance.

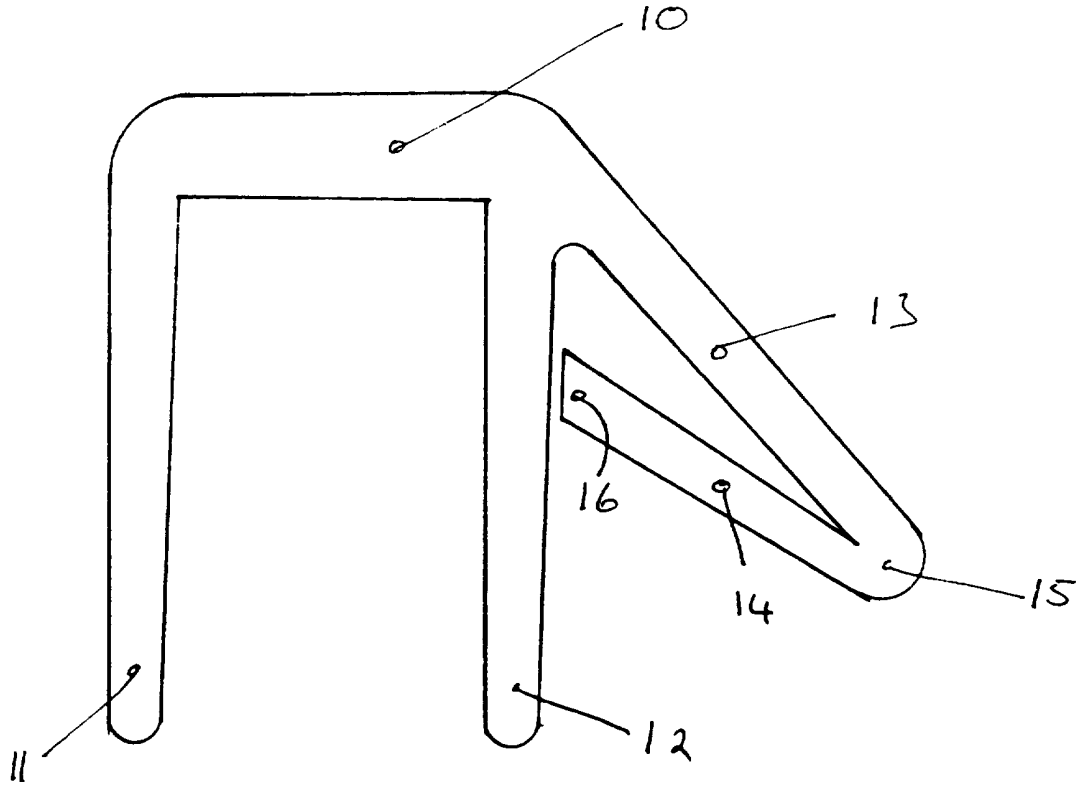
Figure 1



GB 2 304 141 A

A DOMESTIC AID

Figure 1 - A Domestic Aid to help when fitting duvets into covers



2304141**A DOMESTIC AID**

This invention refers to a domestic aid such as can be used in the home, the hospitality industry or in hospitals.

One of the more awkward domestic tasks involves fitting duvets into their covers.

Most duvet covers can be opened at one end to allow the duvet to be inserted. Fitting the duvet into the cover can involve partially inserting the duvet into the cover so that the duvet corners distant from the open end of the cover are located in their respective corners of the cover, pulling the cover over the duvet while holding the corners of the duvet and the cover together and shaking the duvet and cover so that the duvet lies correctly inside the cover.

This task can be strenuous and awkward, particularly if the person fitting the cover is unfit or is small relative to the duvet and cover.

Although it is possible to arrange that the duvet cover can be opened around two or more of its edges so that inserting the duvet is much easier and less strenuous than above, such covers tend not to drape as well as a normal cover. In addition, it is uncomfortable if fasteners, such as zips, are located along the edge nearest to the bed occupant's face.

If the duvet corners are inserted into their respective corners of the cover and held there using suitable clips and these clips, along with the duvet and cover are suitably anchored, it is then a simple task to pull the cover over the rest of the duvet. In practice, such clips could be anchored onto the bedhead, a table, a door or door frame. In the hospitality industry, in hospitals or nursing homes where it is necessary to change duvet covers on a regular basis, suitable clips could be permanently fitted to the bed or some suitable object or structure.

This invention describes a simple means by which the above can be achieved.

A specific embodiment of the invention will now be described by way of example only with reference to the accompanying diagram which shows an Aid for holding a duvet securely inside the cover and which can be temporarily clipped over a door, a bedhead or a table etc. to form a secure anchorage.

Aid 10 is a one piece molding in a suitable plastics material. Legs 11 and 12 form a receptacle so that Aid 10 can be securely fitted over the top of a door, the edge of a table or bedhead. Moveable Leg 14 is supported by Strut 13 and is able to rotate around Solid Axle 15 by the mutual deformation of Leg 14, Strut 13 and the plastics at Solid Axle 15. The function of Leg 14 in conjunction with Strut 13, Leg 12 and Solid Axle 15 is to form a self-locking clip into which a duvet and cover can be pushed and securely retained. End 16 of Leg 14 and the mating surface of Leg 12 are suitably contoured that a secure hold is achieved on any fabrics inserted into Aid 10 without causing damage to the fabrics.

In use, the corner of the duvet is fitted into the correct corner of the cover and the duvet and cover corner together are inserted into the self-locking clip formed by Legs 12 and 14. As many further Aids 10 can be used to secure other parts of the duvet and cover, e.g. the other corner distant from the open end of the cover and the point mid way between the two corners. All Aids

A DOMESTIC AID

10 are then clipped onto the top of a convenient door and the cover is pulled down over the duvet until the duvet is fully inserted into the cover. If so desired, a further Aids 10, or simpler clips, can be clipped onto the two lower corners of the duvet and the cover to hold them together until the covered duvet has been laid on the bed. Aids 10 are then unclipped from the door, leaving the duvet still clipped into the Aids 10. the covered duvet is laid on the bed and all Aids 10 are then removed from the covered duvet by moving Legs 14 towards Struts 13, so releasing the duvet and cover.

Aids 10 could be used for other similar tasks. e.g. fitting pillows in pillow cases, cushions into cushion covers etc.

Alternatively, major components of the fitting aid could be formed by the duvet, pillow or cushion itself. For example, the relevant corners of a duvet could be constructed with, or have permanently fitted, simple loops which could be taken through suitable holes in the corners of the cover so that these loops could be fitted over suitable retaining means, such as a simple hook, so securely anchoring the duvet and cover so that the cover could be pulled over the duvet. Similarly, the duvet and cover could be constructed with suitably matched holes or eyelets so that the duvet and cover could be held by a suitable retaining means, such as a simple hook so securely anchoring the duvet and cover so that the cover could be pulled over the duvet. With such constructed or fitted duvets, pillows or cushions and covers, the means described above of securely holding the duvet, pillow or cushion and cover could be replaced by a simple hook or preturberance.

A DOMESTIC AID**CLAIMS**

- 1) A fitting aid for helping to fit duvets, pillows or cushions into covers in the form of a device which has a means to securely hold the article being covered together with its cover and a means to securely hold the fitting aid itself to a suitable anchorage point or anchorage structure so that the cover can be pulled over the duvet, pillow or cushion which is securely held by the fitting aid to the anchorage point or anchorage structure..
- 2) A filling aid as described in Claim 1) in which the means to securely hold the article being covered and its cover in the aid is: a self-locking clip based on a deformable plastics molding, or a self locking clip based on a hinged and gravity or spring loaded locking bar, or a screwed clamp or a lever locking device or a jamming cleat or a ball or roller locking device.
- 3) A fitting aid as described in Claim 1) used in conjunction with duvets, pillows or cushions and covers which temporarily or permanently incorporate a means to enable these articles to be securely held in the fitting aid.
- 4) A fitting aid as described in Claim 1) and Claim 2) or 3) in which the aid can be temporarily secured by a suitable means to a suitable anchorage or anchorage structure such as a bed, bedhead, table, door, doorframe or floor, wall or ceiling fitting.
- 5) A fitting aid as described in Claim 1) and Claim 2) or 3) in which the aid can be permanently secured to a suitable anchorage or anchorage structure such as a bed, bedhead, table, door, doorframe or floor, wall or ceiling fitting.

Application No: GB 9516235.0
 Claims searched: 1-5

Examiner: Philip Silvie
 Date of search: 7 November 1996

Patents Act 1977 Search Report under Section 17

Databases searched:

UK Patent Office collections, including GB, EP, WO & US patent specifications, in:

UK Cl (Ed.O): E2A (AAN, AGF, AHA, AHC); A4S (S15)

Int Cl (Ed.6): A47C 21/02

Other: Online: WPI

Documents considered to be relevant:

Category	Identity of document and relevant passage	Relevant to claims
X	GB 2 247 169 A (BOOTH) see fig 5	1-5
X	GB 2 218 628 A (FILDAN) see figs 1,3	1-5
X	GB 2 215 382 A (IEC) see fig 3	1-5
X	GB 2 024 925 A (JOHNSON) see figs 1,2	1-5
X	GB 1 176 491 A (COOPEXIM) see figs 5.7	1-5
X	GB 0 759 867 A (MYERS) see fig 2	1-5
X	GB 0 380 767 A (NUTTALL) see figc 2,3	1-5
X	WO 93/21802 A1 (SCOTT-HUBBARD) see page 5, para. 2	1-5

X	Document indicating lack of novelty or inventive step	A	Document indicating technological background and/or state of the art.
Y	Document indicating lack of inventive step if combined with one or more other documents of same category.	P	Document published on or after the declared priority date but before the filing date of this invention.
&	Member of the same patent family	E	Patent document published on or after, but with priority date earlier than, the filing date of this application.