

(19) World Intellectual Property Organization
International Bureau



(43) International Publication Date
26 January 2012 (26.01.2012)

(10) International Publication Number
WO 2012/012455 A3

(51) International Patent Classification:
E04H 15/00 (2006.01)

(21) International Application Number:
PCT/US2011/044570

(22) International Filing Date:
19 July 2011 (19.07.2011)

(25) Filing Language: English

(26) Publication Language: English

(30) Priority Data:
61/365,632 19 July 2010 (19.07.2010) US

(72) Inventor; and

(71) Applicant : **KRAMER, Richard, H.** [US/US]; 622 W. Wooster, Bowling Green, OH 43402 (US).

(74) Agent: **SANDYS, Jonathan, D.**; MacMillan, Sobanski & Todd, LLC, One Maritime Plaza; 5th Floor, 720 Water Street, Toledo, OH 43604 (US).

(81) Designated States (unless otherwise indicated, for every kind of national protection available): AE, AG, AL, AM, AO, AT, AU, AZ, BA, BB, BG, BH, BR, BW, BY, BZ, CA, CH, CL, CN, CO, CR, CU, CZ, DE, DK, DM, DO,

DZ, EC, EE, EG, ES, FI, GB, GD, GE, GH, GM, GT, HN, HR, HU, ID, IL, IN, IS, JP, KE, KG, KM, KN, KP, KR, KZ, LA, LC, LK, LR, LS, LT, LU, LY, MA, MD, ME, MG, MK, MN, MW, MX, MY, MZ, NA, NG, NI, NO, NZ, OM, PE, PG, PH, PL, PT, RO, RS, RU, SC, SD, SE, SG, SK, SL, SM, ST, SV, SY, TH, TJ, TM, TN, TR, TT, TZ, UA, UG, US, UZ, VC, VN, ZA, ZM, ZW.

(84) Designated States (unless otherwise indicated, for every kind of regional protection available): ARIPO (BW, GH, GM, KE, LR, LS, MW, MZ, NA, SD, SL, SZ, TZ, UG, ZM, ZW), Eurasian (AM, AZ, BY, KG, KZ, MD, RU, TJ, TM), European (AL, AT, BE, BG, CH, CY, CZ, DE, DK, EE, ES, FI, FR, GB, GR, HR, HU, IE, IS, IT, LT, LU, LV, MC, MK, MT, NL, NO, PL, PT, RO, RS, SE, SI, SK, SM, TR), OAPI (BF, BJ, CF, CG, CI, CM, GA, GN, GQ, GW, ML, MR, NE, SN, TD, TG).

Published:

— with international search report (Art. 21(3))

(88) Date of publication of the international search report:
5 April 2012

(54) Title: PREFABRICATED BUILDING AND KIT

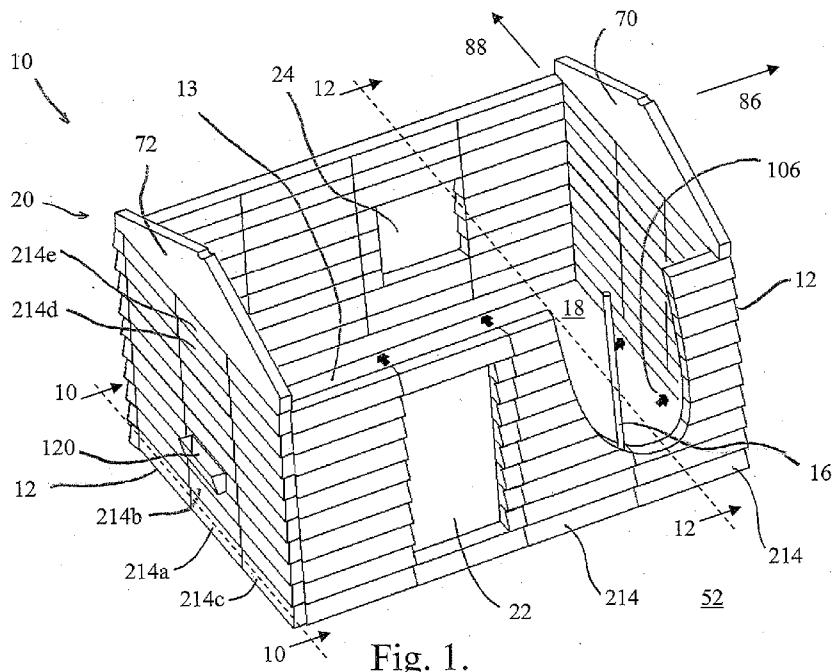


Fig. 1.

(57) Abstract: A prefabricated building includes a sheet folded to form a structural member defining an interior space. The structural member defines an upper guide hole that extends from the interior space of the structural member to the exterior of the structural member, and a lower guide hole that extends from the interior space of the structural member to the exterior of the structural member. The prefabricated building also includes a guide member that is fixed relative to a foundation. The structural member is aligned so that the guide member passes through the upper guide hole and the lower guide hole.



WO 2012/012455 A3

INTERNATIONAL SEARCH REPORT

International application No.

PCT/US 11/44570

A. CLASSIFICATION OF SUBJECT MATTER

IPC(8) - E04H 1/00 (2011.01)

USPC - 52/79.9

According to International Patent Classification (IPC) or to both national classification and IPC

B. FIELDS SEARCHED

Minimum documentation searched (classification system followed by classification symbols)

USPC: 52/79.9

Documentation searched other than minimum documentation to the extent that such documents are included in the fields searched
USPC: 52/79.1, 79.5, 79.13, 79.9 (text search - see terms below)

Electronic data base consulted during the international search (name of data base and, where practicable, search terms used)

PubWEST(USPT,PGPB,EPAB,JPAB); Google

Search Terms: building, block, fold, guide, member, pole, prefabricated, kit, construction, sheet, hole, polygon, brick, frame, gable, flexible, roof, corrugated, plastic, interconnected

C. DOCUMENTS CONSIDERED TO BE RELEVANT

Category*	Citation of document, with indication, where appropriate, of the relevant passages	Relevant to claim No.
Y	US 6,854,221 B1 (MICHAELS) 15 February 2005 (15.02.2005), entire document especially Figs 2, 6; col 5, lns 9-28	1-17
Y	US 3,665,669 A (HUBER) 30 May 1972 (30.05.1972), entire document especially Figs 1-2, 4, 6; col 1, lns 15-25; col 2, lns 4-12; col 3, lns 38-61	1-17
Y	US 2009/0044461 A1 (DIAMOND) 19 February 2009 (19.02.2009), entire document especially Figs 1-2; para [0022]	12-14, 18-20
Y	US 2007/0119493 A1 (CARTER) 31 May 2007 (31.05.2007), entire document especially Fig 7; paras [0008], [0033]	12-14, 18-20
y	US 2004/0206014 A1 (BURGINGER) 21 October 2004 (21.10.2004), entire document especially the Abstract	5-6
Y	US 4,608,799 A (HASEGAWA) 02 September 1986 (02.09.1986), entire document especially col 1, lns 36-39	7, 17
Y	US 541,815 A (LEE) 25 June 1985 (25.06.1985), entire document especially Fig 5, pg 2, lns 1-14	9
Y	US 2004/0194401 A1 (SMITH et al.) 07 October 2004 (07.10.2004), entire document especially para [0007]	11
Y	US 2006/0005494 A1 (MARSHALL et al.) 12 January 2006 (12.01.2006), entire document especially Fig 1	6

 Further documents are listed in the continuation of Box C.

* Special categories of cited documents:

"A" document defining the general state of the art which is not considered to be of particular relevance

"E" earlier application or patent but published on or after the international filing date

"L" document which may throw doubts on priority claim(s) or which is cited to establish the publication date of another citation or other special reason (as specified)

"O" document referring to an oral disclosure, use, exhibition or other means

"P" document published prior to the international filing date but later than the priority date claimed

"T" later document published after the international filing date or priority date and not in conflict with the application but cited to understand the principle or theory underlying the invention

"X" document of particular relevance; the claimed invention cannot be considered novel or cannot be considered to involve an inventive step when the document is taken alone

"Y" document of particular relevance; the claimed invention cannot be considered to involve an inventive step when the document is combined with one or more other such documents, such combination being obvious to a person skilled in the art

"&" document member of the same patent family

Date of the actual completion of the international search

15 December 2011 (15.12.2011)

Date of mailing of the international search report

06 JAN 2012

Name and mailing address of the ISA/US

Mail Stop PCT, Attn: ISA/US, Commissioner for Patents
P.O. Box 1450, Alexandria, Virginia 22313-1450

Facsimile No. 571-273-3201

Authorized officer:

Lee W. Young

PCT Helpdesk: 571-272-4300
PCT OSP: 571-272-7774

INTERNATIONAL SEARCH REPORT

International application No.

PCT/US 11/44570

C (Continuation). DOCUMENTS CONSIDERED TO BE RELEVANT		
Category*	Citation of document, with indication, where appropriate, of the relevant passages	Relevant to claim No.
A	US 2002/0178669 A1 (HARAMBASIC et al.) 05 December 2002 (05.12.2002), entire document especially para [0083]	11
A	US 5,125,867 A (SOLOMON) 30 June 1992 (30.06.1992), entire document	1-20
A	US 2008/0155929 A1 (HERRON) 03 July 2008 (03.07.2008), entire document	1-20
A	US 2,057,942 A (FAY) 20 October 1936 (20.10.1936), entire document	1-20
A	US 2002/0043038 A1 (CERRATO) 18 April 2002 (18.04.2002), entire document	1-20
A	KINTINGU, DESIGN OF INTERLOCKING BRICKS FOR ENHANCED WALL CONSTRUCTION FLEXIBILITY, ALIGNMENT ACCURACY AND LOAD BEARING, Thesis [online], May 2009 (05.2009) [retrieved on 14 December 2011 (14.12.2011)], Retrieved from the Internet:<URL: http://wrap.warwick.ac.uk/2768/1/WRAP_THESIS_Kintingu_2009.pdf >	1-20