

(19) World Intellectual Property Organization
International Bureau



(43) International Publication Date
26 June 2008 (26.06.2008)

PCT

(10) International Publication Number
WO 2008/074103 A3

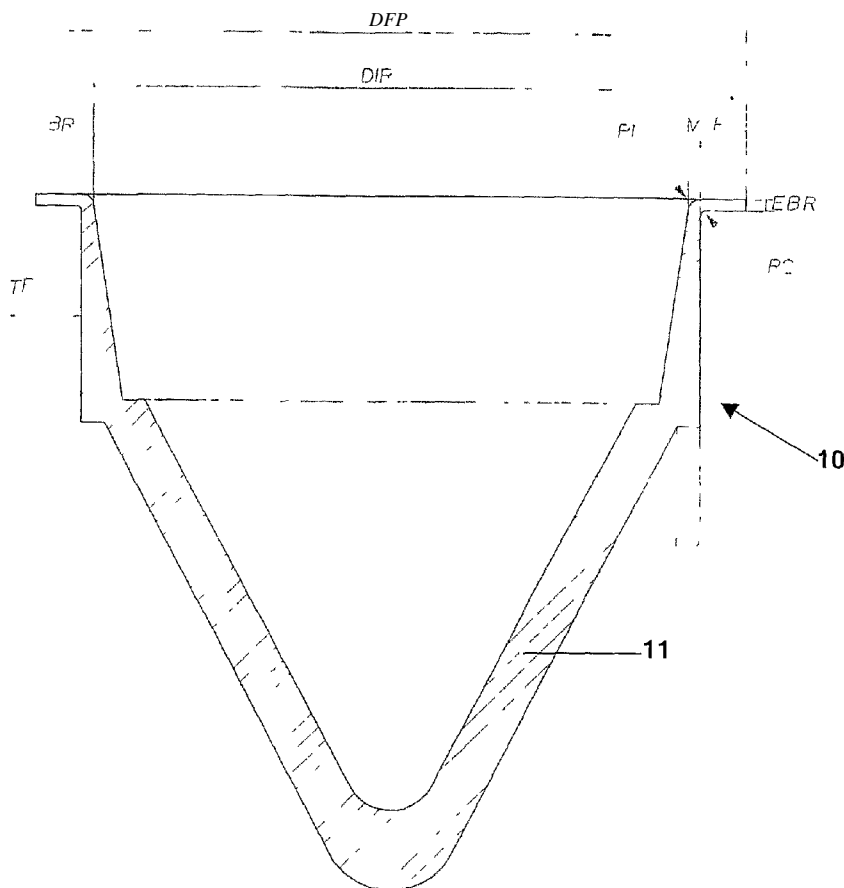
- (51) **International Patent Classification:**
B65D 8/04 (2006.01)
- (21) **International Application Number:**
PCT/BR2006/000185
- (22) **International Filing Date:**
13 September 2006 (13.09.2006)
- (25) **Filing Language:** English
- (26) **Publication Language:** English
- (71) **Applicant (for all designated States except US):** **FUN-
CIONAL DRINKS INTELIGÊNCIA EM DESEN-
VOLVIMENTO DE PRODUTOS LTDA.** [BR/BR];
Alameda Itajuba 1.564 - Sala 01, 13278-530 Valinhos - SP
(BR).
- (72) **Inventor; and**
- (75) **Inventor/Applicant (for US only):** **MUSUMECI,
Marcelo, Firpo** [BR/BR]; **R. Barentz**, 51, 09750-630 Sao
Bernardo do Campo - SP (BR).
- (74) **Agents:** **GAIARSA, Lucas, M.** et al; Av. Brig. Faria
Lima, 1485 - 11° andar, 01452-002 Sao Paulo - SP (BR).

- (81) **Designated States (unless otherwise indicated, for every
kind of national protection available):** AE, AG, AL, AM,
AT, AU, AZ, BA, BB, BG, BR, BW, BY, BZ, CA, CH, CN,
CO, CR, CU, CZ, DE, DK, DM, DZ, EC, EE, EG, ES, FI,
GB, GD, GE, GH, GM, HN, HR, HU, ID, IL, IN, IS, JP,
KE, KG, KM, KN, KP, KR, KZ, LA, LC, LK, LR, LS, LT,
LU, LV, LY, MA, MD, MG, MK, MN, MW, MX, MY, MZ,
NA, NG, NI, NO, NZ, OM, PG, PH, PL, PT, RO, RS, RU,
SC, SD, SE, SG, SK, SL, SM, SV, SY, TJ, TM, TN, TR,
TT, TZ, UA, UG, US, UZ, VC, VN, ZA, ZM, ZW
- (84) **Designated States (unless otherwise indicated, for every
kind of regional protection available):** ARIPO (BW, GH,
GM, KE, LS, MW, MZ, NA, SD, SL, SZ, TZ, UG, ZM,
ZW), Eurasian (AM, AZ, BY, KG, KZ, MD, RU, TJ, TM),
European (AT, BE, BG, CH, CY, CZ, DE, **DK**, EE, ES, FI,
FR, GB, GR, HU, IE, **IS**, **IT**, LT, LU, LV, MC, NL, PL, PT,
RO, SE, **SI**, SK, TR), OAPI (BF, **BJ**, CF, CG, CI, CM, GA,
GN, GQ, GW, ML, **MR**, NE, SN, TD, TG).

Declaration under Rule 4.17:
— of inventorship (Rule 4.17(iv))

[Continued on next page]

(54) **Title:** FLANGE FOR A BLOW-MOLDING CONTAINER



(57) **Abstract:** The present invention refers to a flange of a plastic container particularly adequate to receive a metallic lid that is seamed onto the flange. The flange comprises an external diameter (DER); an internal diameter (DIR); a necking rim (BR); a rim thickness (EBR); an external radius (RI); an internal radius (R2); and a fluidness triangle (TF) that comprises a vertex (VTF); wherein the difference between the size of the external diameter (DER) and the size of the internal diameter (DIR) is comprised between about 2,00 mm and about 4,40 mm; and the rim thickness (EBR) is comprised between about 18% and about 36% of the internal height (AI) of the metallic lid that is intended to be seamed in the flange.

WO 2008/074103 A3



Published:

- *with international search report*
- *before the expiration of the time limit for amending the claims and to be republished in the event of receipt of amendments*

(88) Date of publication of the international search report:
18 September 2008

INTERNATIONAL SEARCH REPORT

International application No
PCT/BR 2006/000185

A CLASSIFICATION OF SUBJECT MATTER IPC⁸: S65D 8/04 (2006.01) According to International Patent Classification (IPC) or to both national classification and IPC		
B FIELDS SEARCHED Minimum documentation searched (classification system followed by classification symbols) IPC⁸: B65D Documentation searched other than minimum documentation to the extent that such documents are included in the fields searched		
Electronic data base consulted during the international search (name of data base and, where practicable, search terms used) EPODOC		
C DOCUMENTS CONSIDERED TO BE RELEVANT		
Category*	Citation of document, with indication, where appropriate, of the relevant passages	Relevant to claim No
X	US 3 709 399 A, (NUGHES GIOVANNI), 9 January 1973 (09.01.1973) <i>fig.3-6, abstract, column 4, line 37-49 and 51-53</i>	1-10, 12, 14-15
Y	--	11, 13, 16
Y	US 4 948 006 A, (OKABE MITSUO ET AL), 14 August 1990 (14.08.1990) <i>fig. 20, 22a, 22b, abstract, column 3, line 29-33</i>	13
A	--	1-7
Y	GB 1 504 695 A, (METAL BOX CO LTD), 22 March 1978 (22.03.1978) <i>fig. 1.3, page 3, lines 1-3 and 26-31</i>	11, 16

<input type="checkbox"/> Further documents are listed in the continuation of Box C <input checked="" type="checkbox"/> See patent family annex		
* Special categories of cited documents "A" document defining the general state of the art which is not considered to be of particular relevance "E" earlier application or patent but published on or after the international filing date "L" document which may throw doubts on priority claim(s) or which is cited to establish the publication date of another citation or other special reason (as specified) "O" document referring to an oral disclosure, use, exhibition or other means "P" document published prior to the international filing date but later than the priority date claimed "T" later document published after the international filing date or priority date and not in conflict with the application but cited to understand the principle or theory underlying the invention "X" document of particular relevance, the claimed invention cannot be considered novel or cannot be considered to involve an inventive step when the document is taken alone "Y" document of particular relevance, the claimed invention cannot be considered to involve an inventive step when the document is combined with one or more other such documents, such combination being obvious to a person skilled in the art "&" document member of the same patent family		
Date of the actual completion of the international search		Date of mailing of the international search report 28 July 2008 (28.07.2008)
Name and mailing address of the ISA/ A T Austrian Patent Office Dresdner StraÙe 87, A-1200 Vienna Facsimile No +43 / 1 / 534 24 / 535		Authorized officer GÖRTLER M. Telephone No +43 / 1 / 534 24 / 365

INTERNATIONAL SEARCH REPORT
Information on patent family members

International application No.
PCT/BR 2006/000185

Patent document cited in search report	Publication date	Patent family member(s)	Publication date
us A 3709399		NL A 7111052	1972-02-15
		ES Y 202420Y	1976-03-01
		DK B 125634B	1973-03-19
		AT B 315729B	1974-04-15
		LU A1 63684	1971-12-14
		CH A 528412	1972-09-30
US A 4948006		US A 4948006	1990-08-14
		WO A1 8804262	1988-06-16
		EP A1 0290625	1988-11-17
		DE T2 3786258T	1993-11-04
		JP A 1026425	1989-01-27
		JP A 63281951	1988-11-18
GB A 1504695		ZA A 7502697	1976-03-31
		GB A 1504695	1978-03-22