



US00D711665S

(12) **United States Design Patent**
Mattei

(10) **Patent No.:** **US D711,665 S**

(45) **Date of Patent:** **** Aug. 26, 2014**

(54) **CONTAINER FOR ARTICLES STORAGE**

(76) Inventor: **Faith Mattei**, Myrtle Beach, SC (US)

(**) Term: **14 Years**

(21) Appl. No.: **29/428,306**

(22) Filed: **Jul. 30, 2012**

(51) **LOC (10) Cl.** **06-04**

(52) **U.S. Cl.**
USPC **D6/567**

(58) **Field of Classification Search**

USPC D6/512-514, 552, 553, 556, 567, 571,
D6/466, 523, 525, 323, 574; D8/349, 354,
D8/367, 373, 380, 381; D28/73, 86;
D19/75, 77, 81, 100; 108/33, 42;
211/13.1, 10, 85.1, 85.3, 85.6, 85.9,
211/14, 30, 32, 41.12, 69.5, 70.1, 70.6,
211/70.7, 60.1, 71.01, 72, 74, 75, 86.01,
211/87.01, 88.04, 134, 135; 248/37.3, 49,
248/200, 251, 300, 309.1, 311.2, 314, 694,
248/902, 907; D3/201, 304

See application file for complete search history.

(56) **References Cited**

U.S. PATENT DOCUMENTS

3,157,343 A 11/1964 Kendall
3,987,898 A 10/1976 Crane
D254,896 S 5/1980 Moore
4,342,389 A 8/1982 Bethune et al.
D267,843 S * 2/1983 Sundberg D6/574

4,402,404 A 9/1983 Nauheimer
D283,189 S * 4/1986 Hampton D6/574
D296,162 S * 6/1988 Allen et al. D6/553
5,176,252 A 1/1993 Davis
D336,428 S 6/1993 Buratto
D364,524 S 11/1995 Bassler et al.
D396,591 S * 8/1998 Vasilakis D6/567
D419,350 S * 1/2000 Baron D6/553
D422,828 S * 4/2000 Kanfer et al. D6/567
D437,698 S * 2/2001 Cassler D6/323
D468,638 S 1/2003 Nogami et al.
D581,159 S 11/2008 Neilsen
D606,314 S 12/2009 Neilsen
D642,904 S 8/2011 Turvey

* cited by examiner

Primary Examiner — Brian N Vinson

(74) *Attorney, Agent, or Firm* — P. Jeff Martin; The Law Firm of P. Jeffrey Martin, LLC

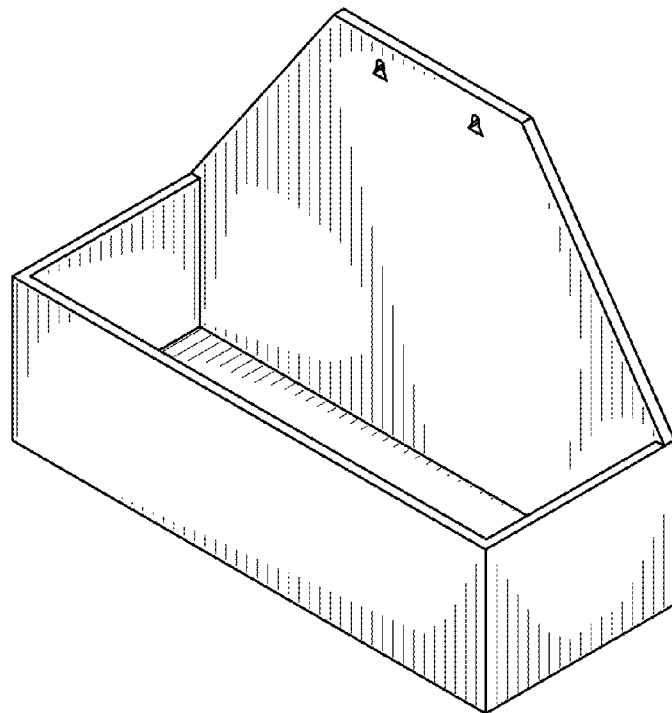
(57) **CLAIM**

The ornamental design for a container for articles storage, as shown and described.

DESCRIPTION

FIG. 1 is a front, right perspective view of a container for articles storage showing my new design;
FIG. 2 is a right side view thereof;
FIG. 3 is a left side view thereof;
FIG. 4 is a front view thereof;
FIG. 5 is a rear view of thereof;
FIG. 6 is a top end view thereof; and,
FIG. 7 is a bottom end view thereof.

1 Claim, 3 Drawing Sheets



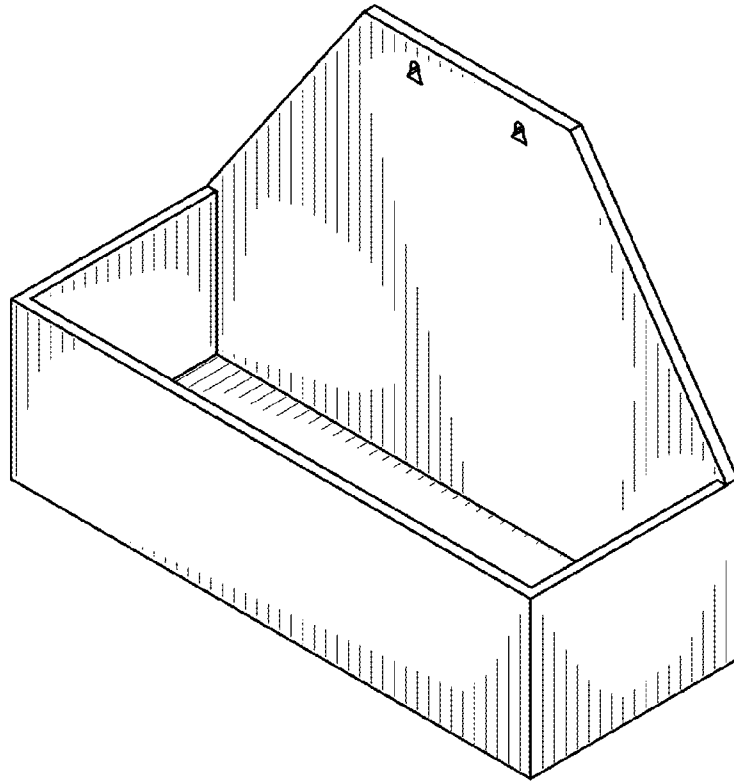


FIG. 1

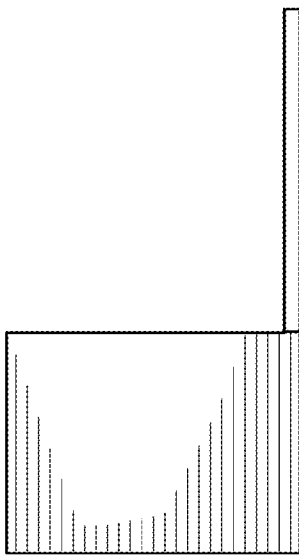


FIG. 2

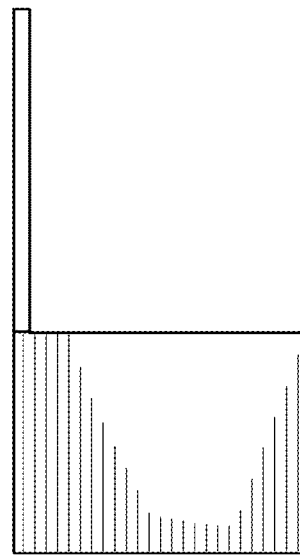


FIG. 3

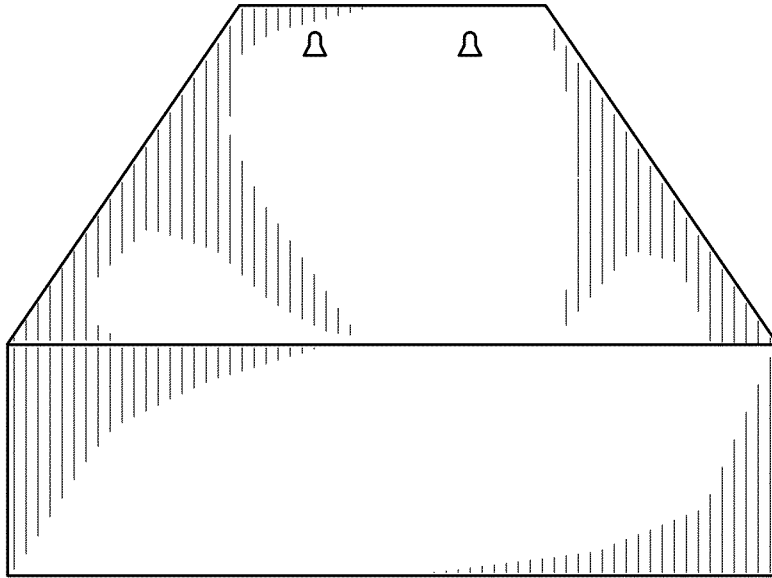


FIG. 4

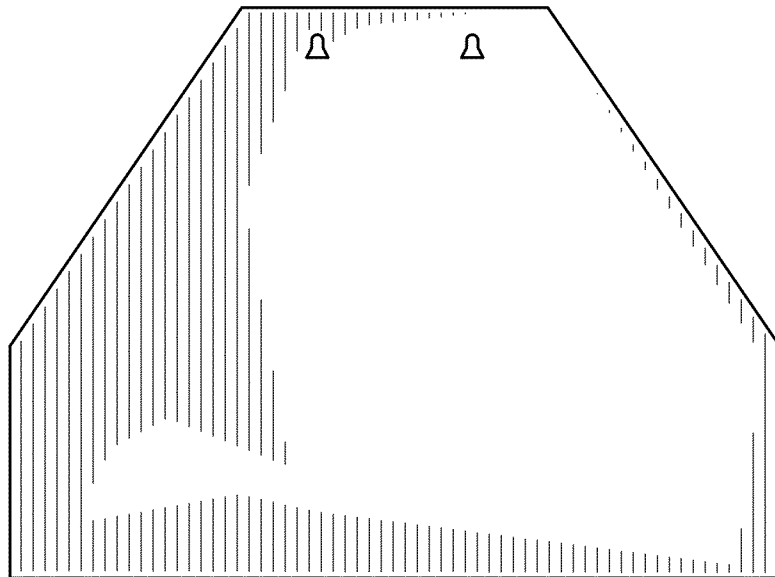


FIG. 5

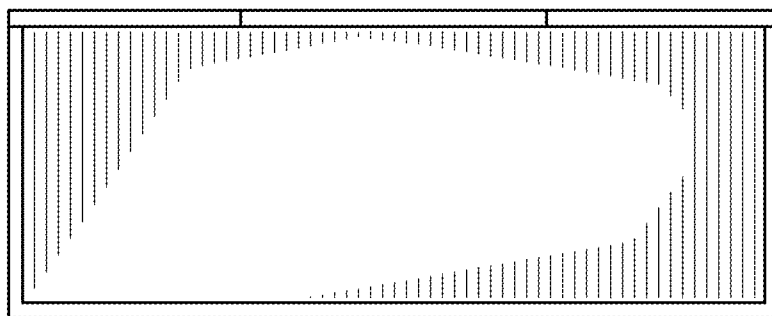


FIG. 6

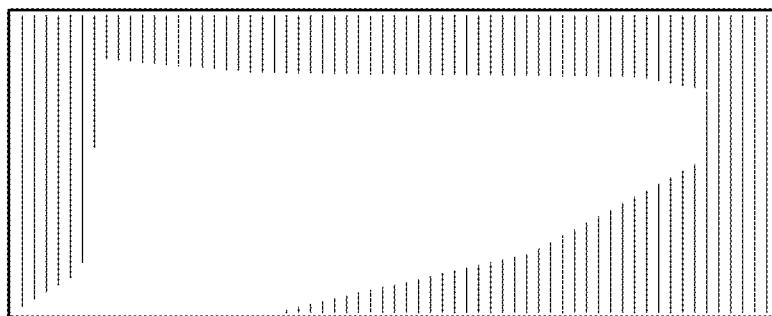


FIG. 7