

# United States Patent [19]

Arehart et al.

[11] Patent Number: Des. 306,282

[45] Date of Patent: \*\* Feb. 27, 1990

[54] ELECTRIC LINE CORD PLUG

[75] Inventors: Robert W. Arehart, Downers Grove; Raymond W. Peeler; Keith F. Kraus, both of Chicago, all of Ill.

[73] Assignee: Ryobi Motor Products Corp., Pickens, S.C.

[\*\*] Term: 14 Years

[21] Appl. No.: 75,921

[22] Filed: Jul. 20, 1987

[52] U.S. Cl. .... D13/28

[58] Field of Search ..... D13/24, 27-30; 439/682, 685, 686, 692-695, 622, 650, 652, 653, 484, 501

### [56] References Cited

#### U.S. PATENT DOCUMENTS

- D. 266,559 10/1982 Gibbs ..... D13/28
- D. 278,705 5/1985 Nagelkenke et al. .... D13/28

- 4,300,113 11/1981 Bronnenhuber ..... 337/198 X
- 4,307,924 12/1981 Gibbs ..... 439/484
- 4,684,914 8/1987 Wu ..... 439/622 X

Primary Examiner—Susan J. Lucas  
Attorney, Agent, or Firm—David L. Davis

### [57] CLAIM

The ornamental design for an electric line cord plug, as shown and described.

### DESCRIPTION

FIG. 1 is a front perspective view of an electric line cord plug embodying my new design;  
 FIG. 2 is a front elevational view thereof;  
 FIG. 3 is a rear elevational view thereof;  
 FIG. 4 is a side elevational view thereof, the opposite side being a mirror image;  
 FIG. 5 is a top plan view thereof; and  
 FIG. 6 is a bottom plan view thereof.  
 The electric cord is shown in broken lines for illustrative purposes only.

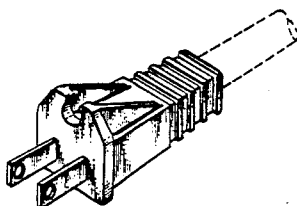


FIG. 1

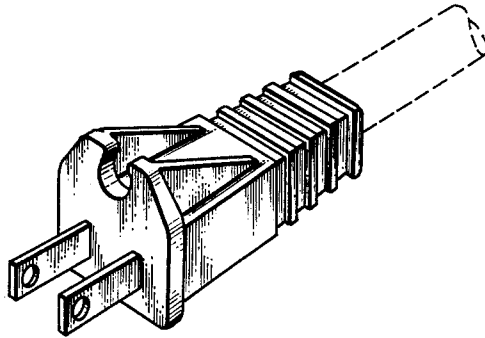


FIG. 2

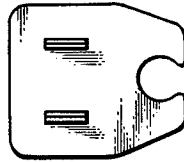


FIG. 3

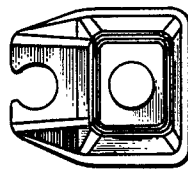


FIG. 4

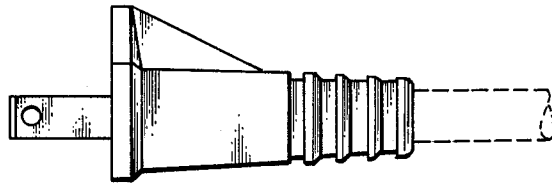


FIG. 5

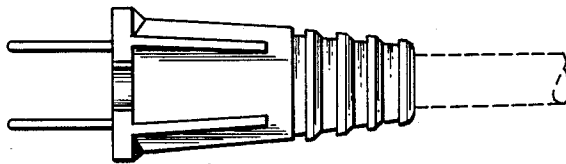


FIG. 6

