



US00D480318S

(12) **United States Design Patent** (10) **Patent No.:** **US D480,318 S**
Settele (45) **Date of Patent:** **** Oct. 7, 2003**

(54) **MEASURING SPOON**
(75) Inventor: **Ignaz Settele**, Kaufbeuren (DE)
(73) Assignee: **Maxpat Trading & Marketing Limited** (HK)
(**) Term: **14 Years**
(21) Appl. No.: **29/165,125**
(22) Filed: **Aug. 5, 2002**
(51) **LOC (7) Cl.** **10-04**
(52) **U.S. Cl.** **D10/46.3**
(58) **Field of Search** D10/46.2, 46.3;
D7/688-692, 393, 395, 401.2, 643, 653-664,
644; 30/324-328; 73/426-429

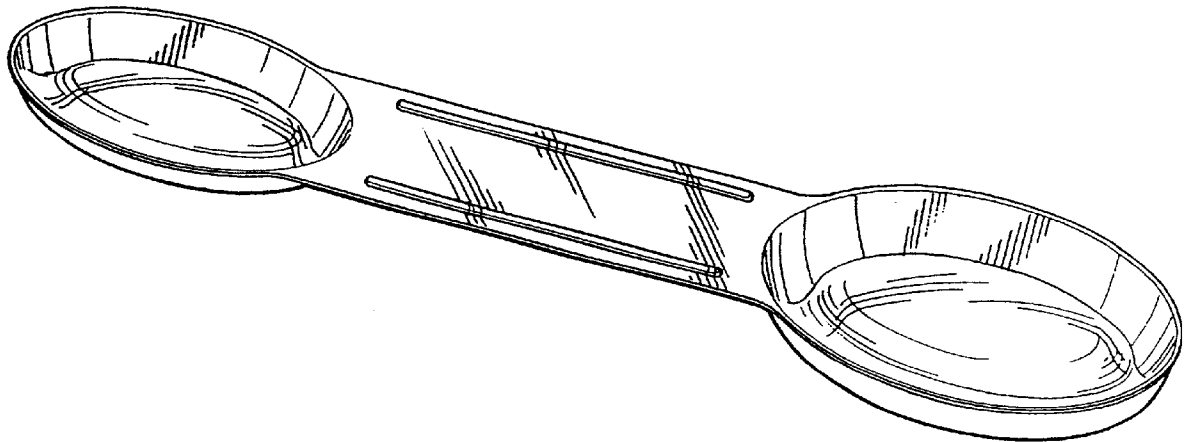
D214,439 S * 6/1969 Wormser D10/46.2 X
3,931,741 A * 1/1976 Ceccarelli 73/427
* cited by examiner
Primary Examiner—Terry A. Wallace
(74) *Attorney, Agent, or Firm*—Ostrolenk, Faber, Gerb & Soffen, LLP

(57) **CLAIM**
The ornamental design for a measuring spoon, as shown and described.

DESCRIPTION
FIG. 1 is a perspective view of a measuring spoon, incorporating the design of my invention;
FIG. 2 is a top plan view thereof;
FIG. 3 is a bottom plan view thereof;
FIG. 4 is a side view thereof;
FIG. 5 is another side view thereof;
FIG. 6 is a front elevational view thereof; and,
FIG. 7 is a rear elevational view thereof.

(56) **References Cited**
U.S. PATENT DOCUMENTS
D120,759 S * 5/1940 O'Bryon D10/46.3
D156,850 S * 1/1950 Shirley D10/46.3

1 Claim, 6 Drawing Sheets



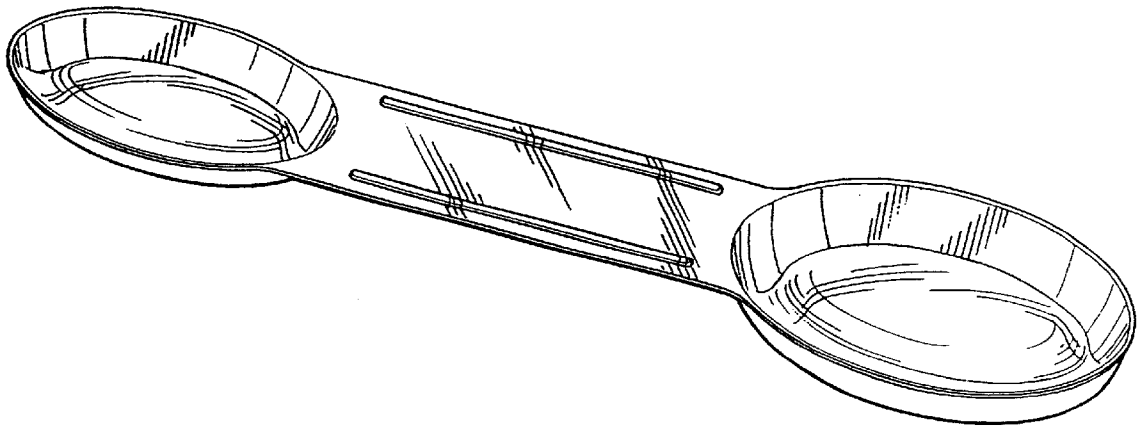


FIG. 1

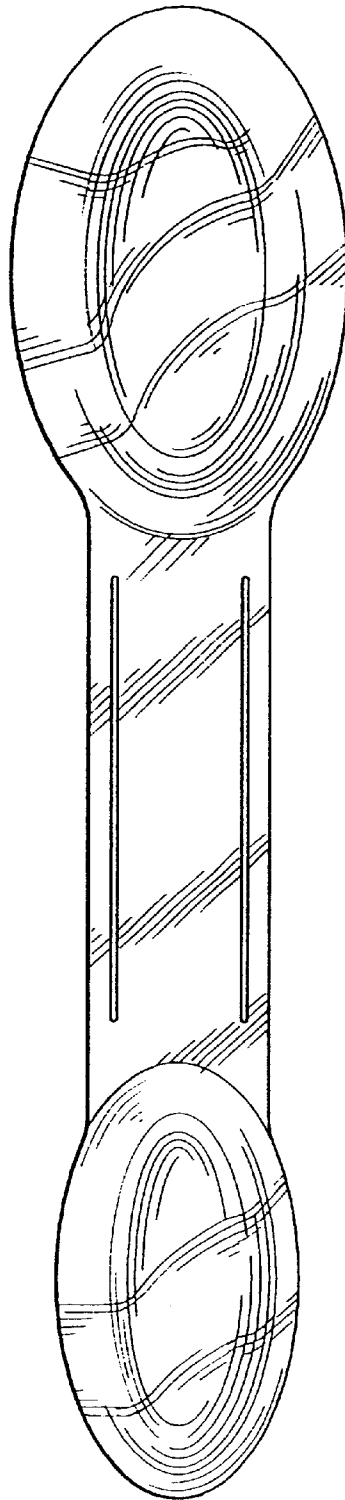


FIG. 2

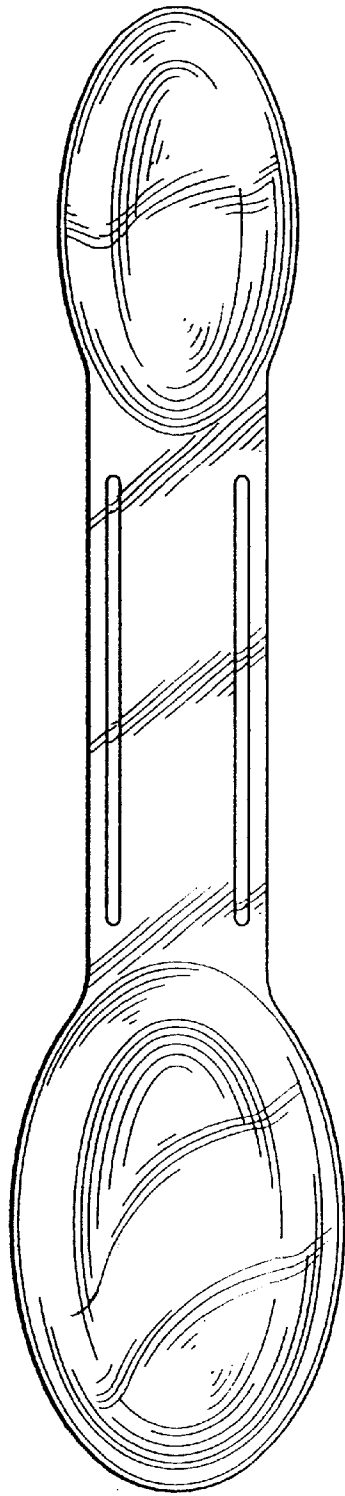


FIG. 3

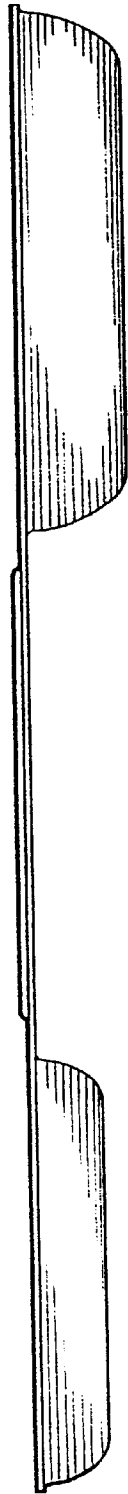


FIG. 4



FIG. 5

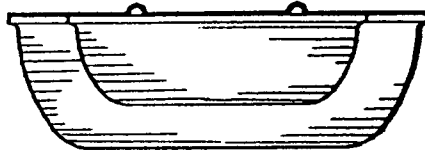


FIG. 6

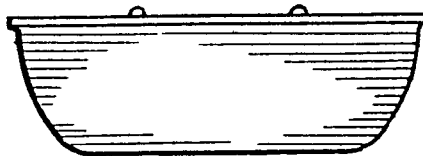


FIG. 7

UNITED STATES PATENT AND TRADEMARK OFFICE
CERTIFICATE OF CORRECTION

PATENT NO. : Des. 480,318 S
DATED : October 7, 2003
INVENTOR(S) : Ignaz Settele

Page 1 of 1

It is certified that error appears in the above-identified patent and that said Letters Patent is hereby corrected as shown below:

Title page,

Item [73], Assignee, should read -- **Maxpat Trading & Marketing (Far East)
Limited** --.

Signed and Sealed this

Thirteenth Day of April, 2004

A handwritten signature in black ink, reading "Jon W. Dudas". The signature is written in a cursive style with a large, looped initial "J".

JON W. DUDAS
Acting Director of the United States Patent and Trademark Office