



US00D506849S

(12) **United States Design Patent**
Parres

(10) **Patent No.:** **US D506,849 S**

(45) **Date of Patent:** **** Jun. 28, 2005**

(54) **LIGHTING FIXTURE SUPPORT**

(75) Inventor: **Miguel Parres**, Alta Loma, CA (US)

(73) Assignee: **Minka Lighting, Inc.**, Corona, CA (US)

(**) Term: **14 Years**

(21) Appl. No.: **29/190,990**

(22) Filed: **Sep. 29, 2003**

(51) **LOC (8) Cl.** **26-99**

(52) **U.S. Cl.** **D26/145; D26/155**

(58) **Field of Search** D26/72, 80, 92,
D26/85-87, 145, 155; 362/147, 432, 404-408,
433

(56) **References Cited**

U.S. PATENT DOCUMENTS

D50,861 S	*	6/1917	Adam	D26/87
D367,335 S	*	2/1996	Kay	D26/92
D465,595 S	*	11/2002	Hoernig	D26/80
D494,702 S	*	8/2004	Parres	D26/85

OTHER PUBLICATIONS

- U.S. Appl. No. 29/190,992, Sep. 29, 2003, Miguel Parres.
- U.S. Appl. No. 29/191,024, Sep. 29, 2003, Miguel Parres.
- U.S. Appl. No. 29/191,031, Sep. 29, 2003, Miguel Parres.
- U.S. Appl. No. 29/191,038, Sep. 29, 2003, Miguel Parres.
- Wall Mount bath 3Lt Incandescent, Oct. 2003, Kichler, Inc.

4 Light Cobalt Chandelier, Oct. 2003, Kichler, Inc.
3 Light Cobalt Bath Fixture, Oct. 2003, Kichler, Inc.

* cited by examiner

Primary Examiner—Clare E Heflin

(74) *Attorney, Agent, or Firm*—Baker & McKenzie, LLP

(57) **CLAIM**

The ornamental design for the lighting fixture support, as shown and described.

DESCRIPTION

FIG. 1 is a perspective view from above of a lighting fixture support in accordance with my design, shown in its environment;

FIG. 2 is a perspective view from below of the lighting fixture support in accordance with my design, shown in its environment;

FIG. 3 is a side elevation view of the lighting fixture support in accordance with my design, shown in its environment;

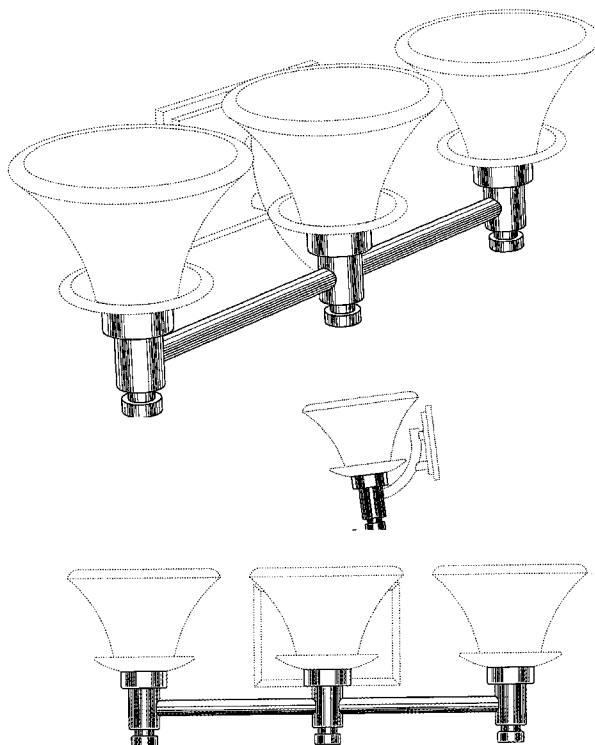
FIG. 4 is a front elevation view of the lighting fixture support in accordance with my design, shown in its environment;

FIG. 5 is a bottom plan view of the lighting fixture support in accordance with my design, shown in its environment; and,

FIG. 6 is a top plan view of the lighting fixture support in accordance with my design, shown in its environment.

The broken lines showing environmental structure are for illustrative purposes and form no part of the claimed design.

1 Claim, 4 Drawing Sheets



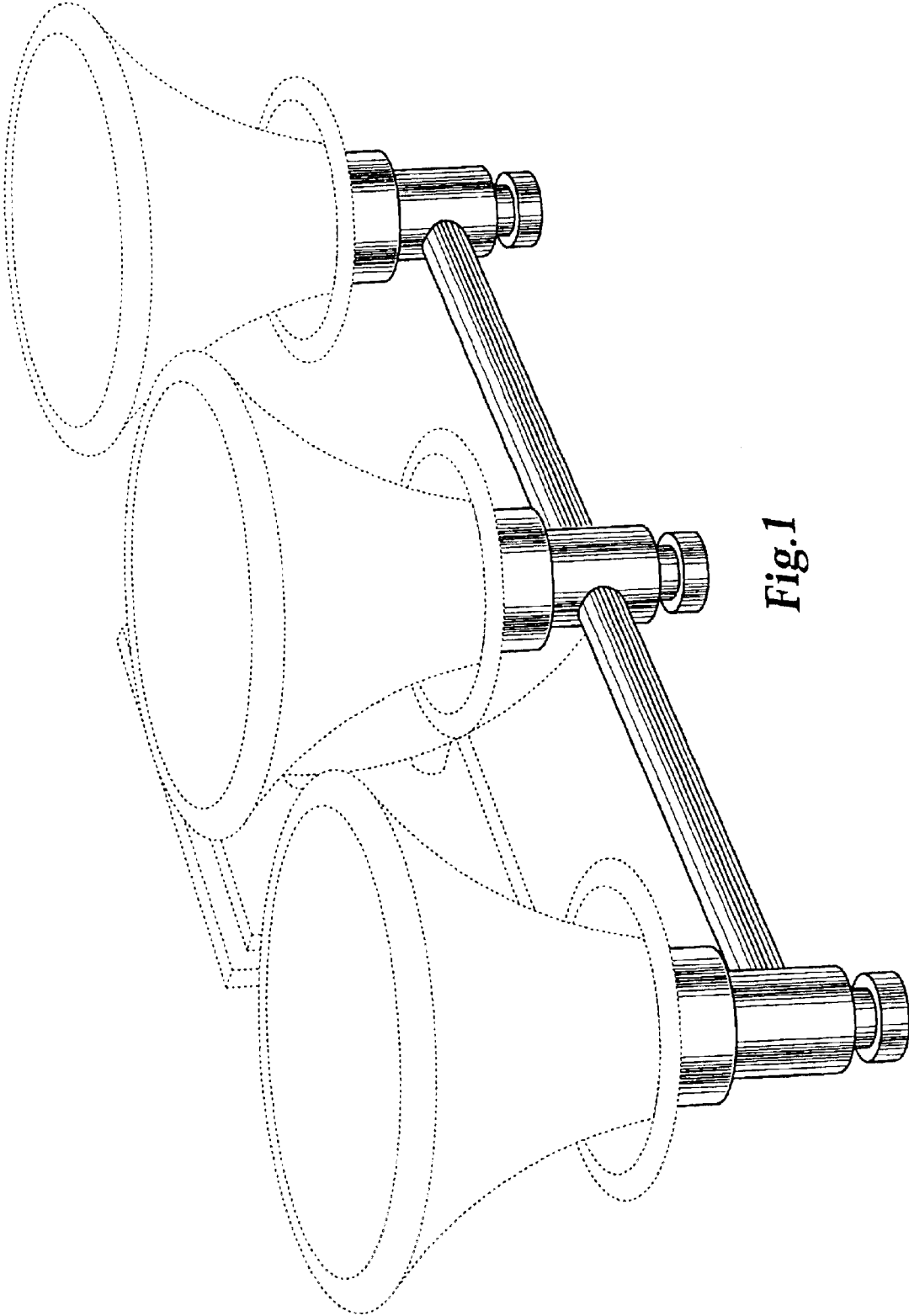


Fig. 1

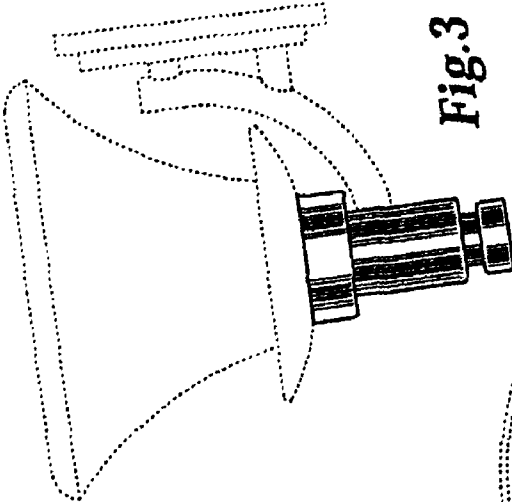


Fig.3

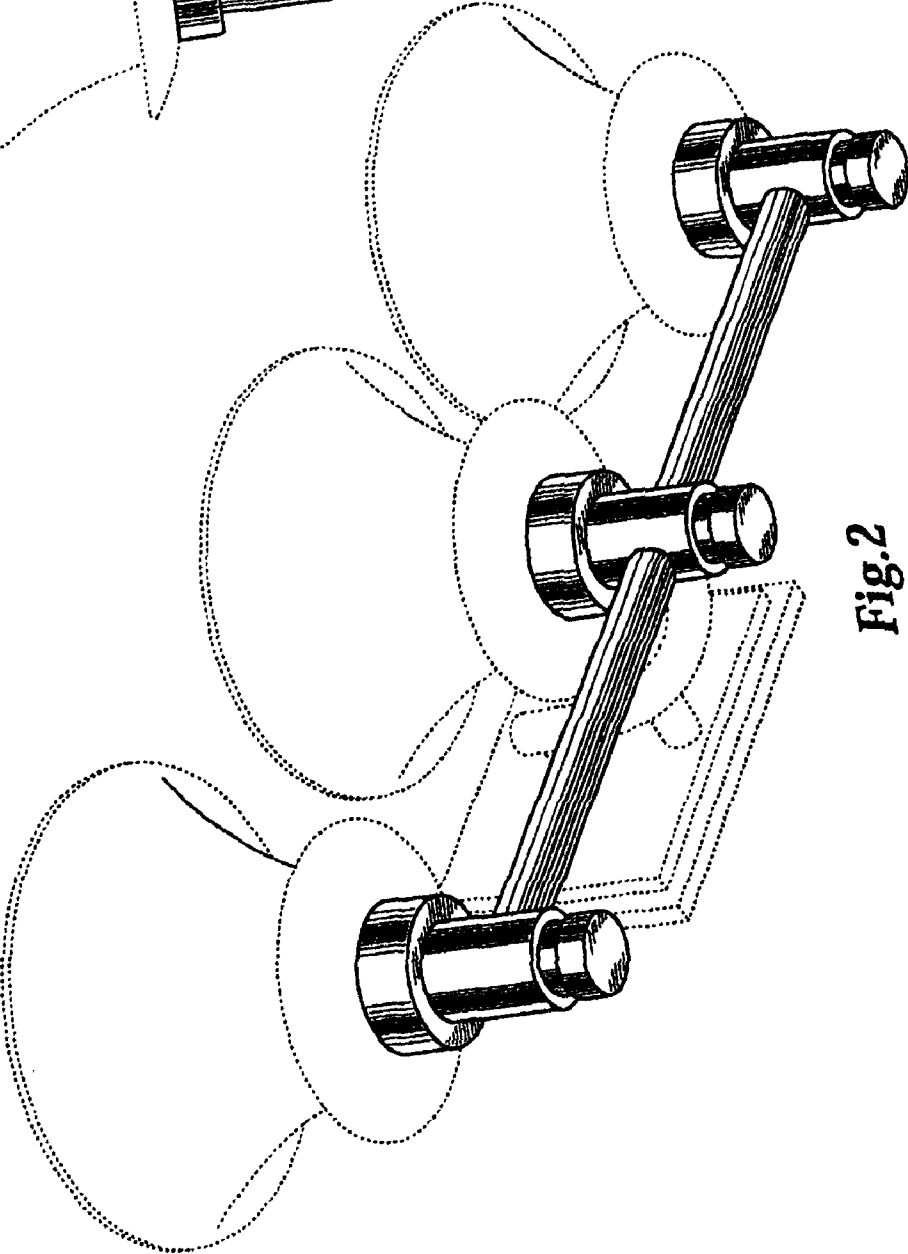


Fig.2

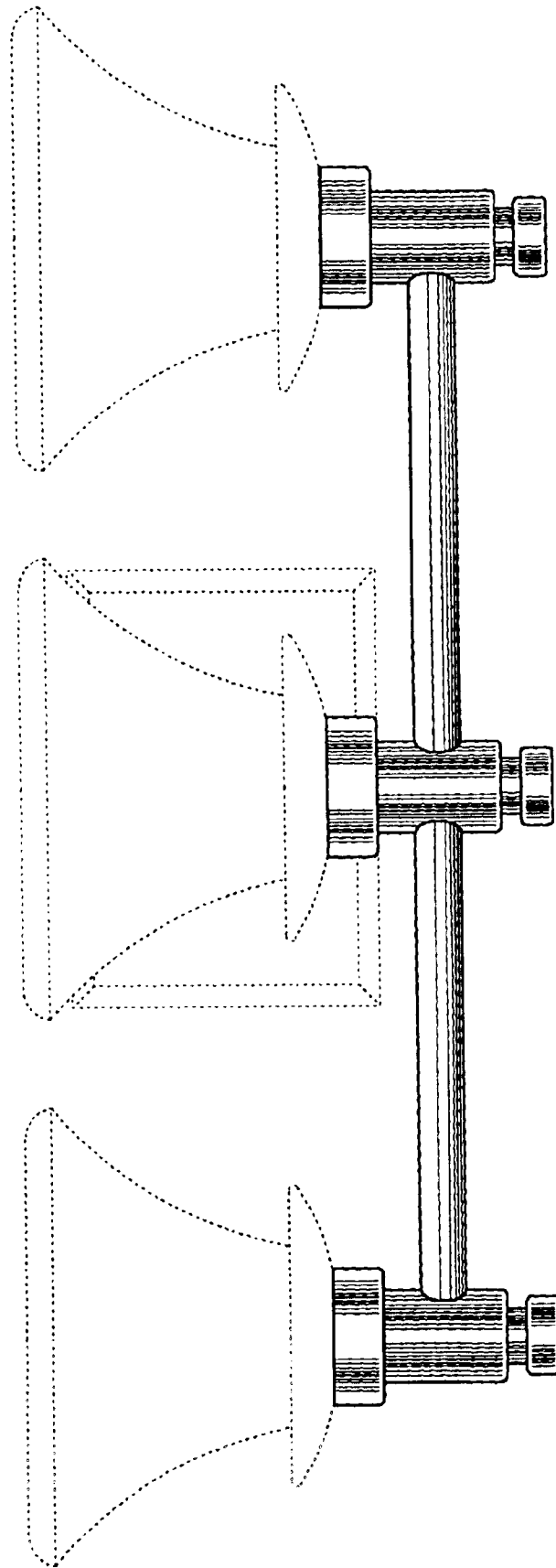


Fig. 4

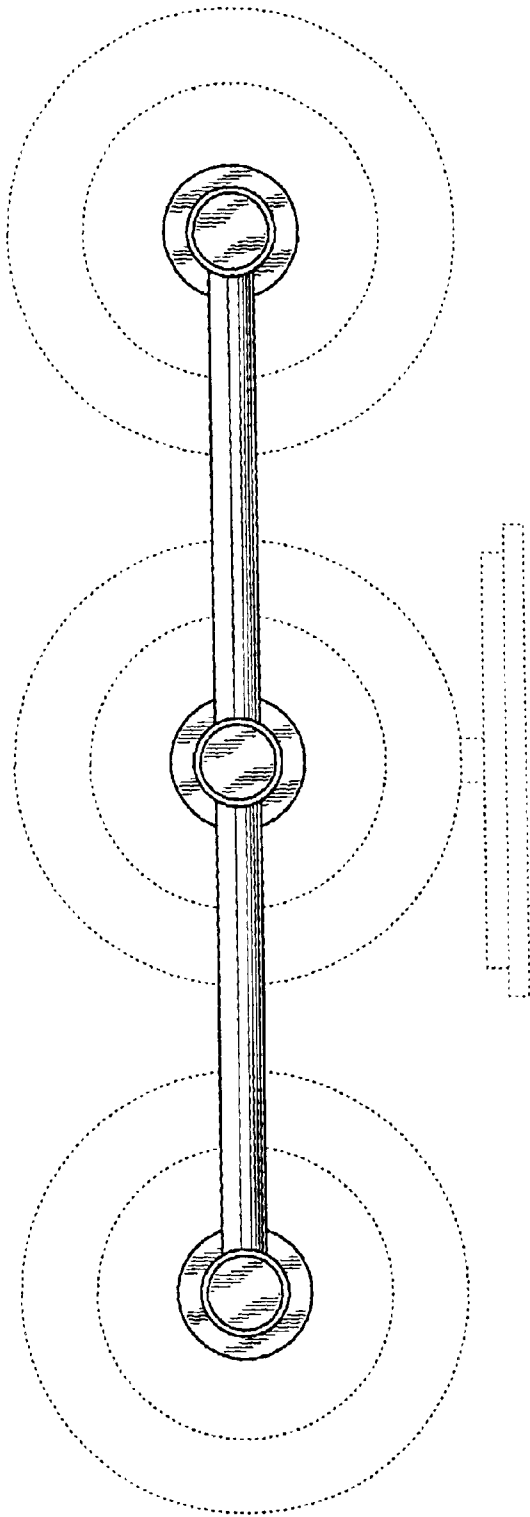


Fig.5

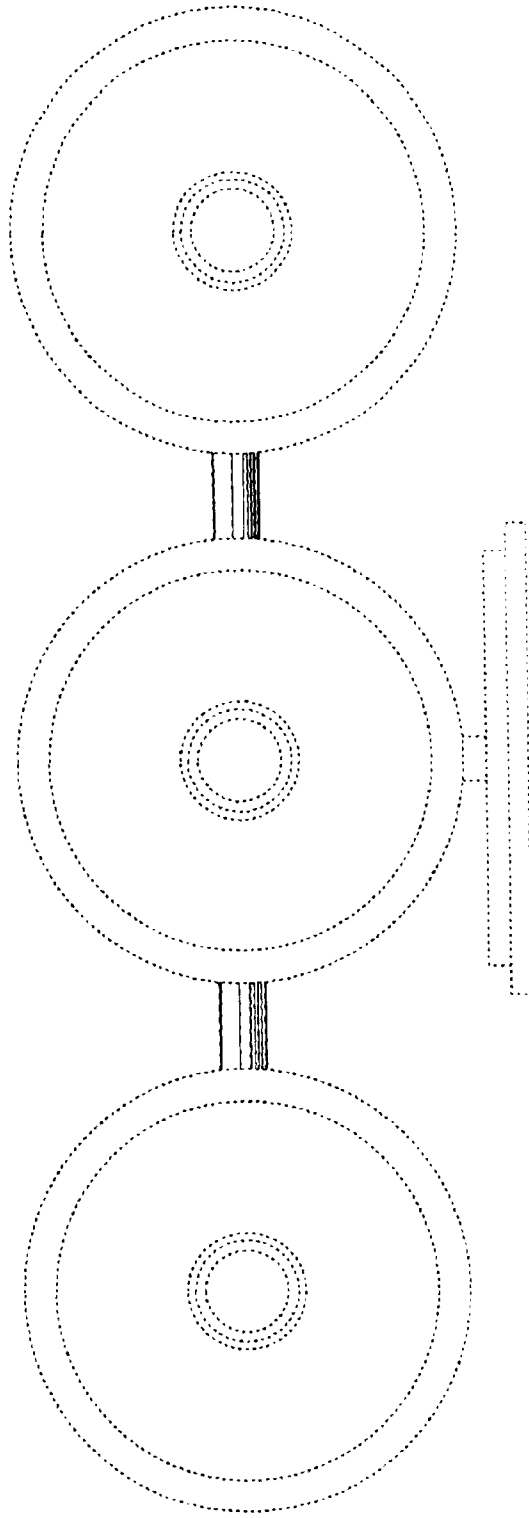


Fig.6