



(51) International Patent Classification:

A61B 10/02 (2006.01) A61B 17/32 (2006.01)  
A61B 17/34 (2006.01) A61M 5/158 (2006.01)

(21) International Application Number:

PCT/US2011/042363

(22) International Filing Date:

29 June 2011 (29.06.2011)

(25) Filing Language:

English

(26) Publication Language:

English

(30) Priority Data:

12/843,092 26 July 2010 (26.07.2010) US

(71) Applicant (for all designated States except US): **DEVICOR MEDICAL PRODUCTS, INC** [US/US]; 300 E-business Way, 5th Floor, Cincinnati, OH 45241 (US).

(72) Inventors; and

(75) Inventors/Applicants (for US only): **SMITH, Eric, B.** [US/US]; 712 Concourse Drive, Cincinnati, OH 45240 (US). **PARIHAR, Shailendra, K.** [US/US]; 4030 Granite Court, Mason, OH 45240 (US). **ANDREYKO, Michael, J.** [US/US]; 8575 Clough Pike, Cincinnati, OH 45244 (US). **MOORE, Kyle, P.** [US/US]; 6518 Falling Leaves Court, Mason, OH 45040 (US). **JANSZEN, James** [US/US]; 4351 St. Cloud Way, Cleves, OH 45002 (US).

(74) Agent: **ULMER, Andrew, B.**; 2200 PNC Center, 201 East Fifth Street, Cincinnati, OH 45202 (US).

(81) Designated States (unless otherwise indicated, for every kind of national protection available):

AE, AG, AL, AM, AO, AT, AU, AZ, BA, BB, BG, BH, BR, BW, BY, BZ, CA, CH, CL, CN, CO, CR, CU, CZ, DE, DK, DM, DO, DZ, EC, EE, EG, ES, FI, GB, GD, GE, GH, GM, GT, HN, HR, HU, ID, IL, IN, IS, JP, KE, KG, KM, KN, KP, KR, KZ, LA, LC, LK, LR, LS, LT, LU, LY, MA, MD, ME, MG, MK, MN, MW, MX, MY, MZ, NA, NG, NI, NO, NZ, OM, PE, PG, PH, PL, PT, RO, RS, RU, SC, SD, SE, SG, SK, SL, SM, ST, SV, SY, TH, TJ, TM, TN, TR, TT, TZ, UA, UG, US, UZ, VC, VN, ZA, ZM, ZW.

(84) Designated States (unless otherwise indicated, for every kind of regional protection available):

ARIPO (BW, GH, GM, KE, LR, LS, MW, MZ, NA, SD, SL, SZ, TZ, UG, ZM, ZW), Eurasian (AM, AZ, BY, KG, KZ, MD, RU, TJ, TM), European (AL, AT, BE, BG, CH, CY, CZ, DE, DK, EE, ES, FI, FR, GB, GR, HR, HU, IE, IS, IT, LT, LU, LV, MC, MK, MT, NL, NO, PL, PT, RO, RS, SE, SI, SK, SM, TR), OAPI (BF, BJ, CF, CG, CI, CM, GA, GN, GQ, GW, ML, MR, NE, SN, TD, TG).

Published:

- with international search report (Art. 21(3))
- before the expiration of the time limit for amending the claims and to be republished in the event of receipt of amendments (Rule 48.2(h))

(88) Date of publication of the international search report:

19 April 2012

(54) Title: NEEDLE FOR BIOPSY DEVICE

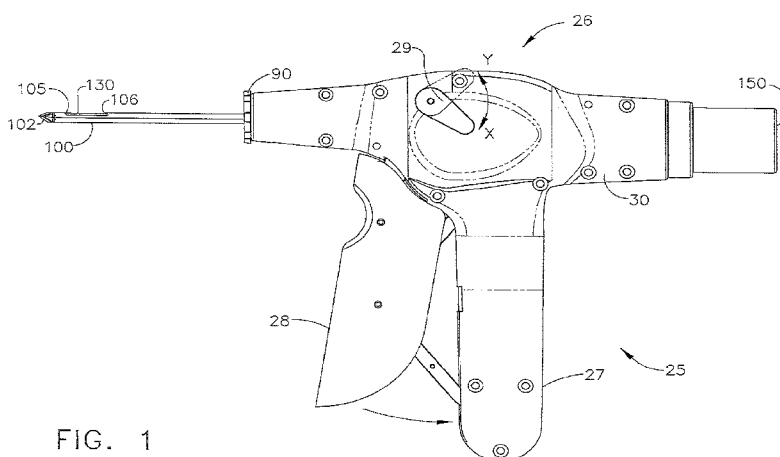


FIG. 1

(57) Abstract: A biopsy device comprises a body and a needle extending distally from the body. The needle comprises a cannula and a tissue piercing tip that is unitary with the cannula. The tissue piercing tip may be formed by compressing the distal end of the cannula to put two distal cannula portions in apposition with each other. One of the apposed distal cannula portions may be removed. The remaining distal cannula portion may be formed into a blade of the tissue piercing tip. A cutter may be moved relative to the needle to sever samples from tissue protruding through a transverse aperture formed in the cannula. A gap may be provided between the exterior of the cutter and the interior of the cannula, permitting the cutter to be distally vented while a proximal vacuum is communicated to the cutter to transport severed tissue samples proximally through the cutter.



**A. CLASSIFICATION OF SUBJECT MATTER***A61B 10/02(2006.01)i, A61B 17/34(2006.01)i, A61B 17/32(2006.01)i, A61M 5/158(2006.01)i*

According to International Patent Classification (IPC) or to both national classification and IPC

**B. FIELDS SEARCHED**

Minimum documentation searched (classification system followed by classification symbols)

A61B 10/02; A61B 10/00

Documentation searched other than minimum documentation to the extent that such documents are included in the fields searched

Korean utility models and applications for utility models

Japanese utility models and applications for utility models

Electronic data base consulted during the international search (name of data base and, where practicable, search terms used)

eKOMPASS(KIPO internal) &amp; Keywords: biopsy, needle, cannula, cutter

**C. DOCUMENTS CONSIDERED TO BE RELEVANT**

Category*	Citation of document, with indication, where appropriate, of the relevant passages	Relevant to claim No.
A	US 2010-0152610 A1 (PARIHAR, SHAILENDRA K. et al.) 17 June 2010 See abstract; figs. 1-3, 13, 14; paragraphs 20, 22, 24.	1-20
A	US 2007-0213630 A1 (BECKMAN, ANDREW T. et al.) 13 September 2007 See abstract; figs. 1-5; paragraphs 35, 38, 41, 42; claim 1.	1-20
A	US 2007-0032742 A1 (MONSON, GAVIN M. et al.) 08 February 2007 See abstract; figs. 2, 3, 6; paragraphs 46, 47; claims 1, 11.	1-20
A	US 2010-0063415 A1 (RITCHART, MARK A. et al.) 11 March 2010 See abstract; figs. 1, 4; paragraphs 52, 58; claims 27, 42.	1-20

 Further documents are listed in the continuation of Box C. See patent family annex.

\* Special categories of cited documents:

"A" document defining the general state of the art which is not considered to be of particular relevance

"E" earlier application or patent but published on or after the international filing date

"L" document which may throw doubts on priority claim(s) or which is cited to establish the publication date of citation or other special reason (as specified)

"O" document referring to an oral disclosure, use, exhibition or other means

"P" document published prior to the international filing date but later than the priority date claimed

"T" later document published after the international filing date or priority date and not in conflict with the application but cited to understand the principle or theory underlying the invention

"X" document of particular relevance; the claimed invention cannot be considered novel or cannot be considered to involve an inventive step when the document is taken alone

"Y" document of particular relevance; the claimed invention cannot be considered to involve an inventive step when the document is combined with one or more other such documents, such combination being obvious to a person skilled in the art

"&amp;" document member of the same patent family

Date of the actual completion of the international search

17 FEBRUARY 2012 (17.02.2012)

Date of mailing of the international search report

**17 FEBRUARY 2012 (17.02.2012)**

Name and mailing address of the ISA/KR

Korean Intellectual Property Office  
Government Complex-Daejeon, 189 Cheongsa-ro,  
Seo-gu, Daejeon 302-701, Republic of Korea

Facsimile No. 82-42-472-7140

Authorized officer

KANG, HEE GOK

Telephone No. 82-42-481-8264



**INTERNATIONAL SEARCH REPORT**

Information on patent family members

International application No.

**PCT/US2011/042363**

Patent document cited in search report	Publication date	Patent family member(s)	Publication date
US 2010-0152610 A1	17.06.2010	US 2010-0312140 A1 WO 2010-071746 A1	09.12.2010 24.06.2010
US 2007-0213630 A1	13.09.2007	AU 2007-200727 A1 CA 2581264 A1 CN 101032420 A CN 101032420 C0 EP 1832234 A2 EP 1832234 A3 JP 2007-236948 A US 07806834 B2	27.09.2007 07.09.2007 12.09.2007 12.09.2007 12.09.2007 12.12.2007 20.09.2007 05.10.2010
US 2007-0032742 A1	08.02.2007	AU 2006-278678 A1 AU 2007-203248 A1 AU 2007-242953 A1 AU 2007-242954 A1 AU 2008-203258 A1 AU 2008-203259 A1 CA 2597847 A1 CA 2617904 A1 CA 2672664 A1 CN 101125093 A CN 101125093 B CN 101125093 C0 CN 101237822 A CN 101237822 B CN 101237822 C0 CN 101297764 A CN 101297764 B CN 101297764 C0 CN 101301213 A CN 101301213 B CN 101301213 C0 CN 101352356 A CN 101352357 A CN 101641052 A CN 102018537 A EP 1889573 A1 EP 1889573 B1 EP 1921997 A2 EP 1921997 A4 EP 1932481 A1 EP 1932481 B1 EP 1932482 A1 EP 1932482 B1 EP 2022406 A2 EP 2022406 A3 EP 2022406 B1 EP 2022407 A2	15.02.2007 06.03.2008 03.07.2008 03.07.2008 12.02.2009 12.02.2009 17.02.2008 15.02.2007 26.06.2008 20.02.2008 01.12.2010 20.02.2008 06.08.2008 07.07.2010 06.08.2008 05.11.2008 12.01.2011 05.11.2008 12.11.2008 04.05.2011 12.11.2008 28.01.2009 28.01.2009 03.02.2010 20.04.2011 20.02.2008 17.06.2009 21.05.2008 27.01.2010 18.06.2008 30.06.2010 18.06.2008 28.04.2010 11.02.2009 06.05.2009 20.10.2010 11.02.2009

**INTERNATIONAL SEARCH REPORT**

Information on patent family members

International application No.

**PCT/US2011/042363**

Patent document cited in search report	Publication date	Patent family member(s)	Publication date
		EP 2022407 A3	06.05.2009
		EP 2120724 A2	25.11.2009
		JP 2008-194451 A	28.08.2008
		JP 2008-200481 A	04.09.2008
		JP 2009-028538 A	12.02.2009
		JP 2009-078130 A	16.04.2009
		JP 2009-502434 A	29.01.2009
		JP 2010-512848 A	30.04.2010
		US 2007-0032741 A1	08.02.2007
		US 2007-0032743 A1	08.02.2007
		US 2007-0239067 A1	11.10.2007
		US 2008-0004545 A1	03.01.2008
		US 2008-0146962 A1	19.06.2008
		US 2008-0221480 A1	11.09.2008
		US 2008-0228103 A1	18.09.2008
		US 2008-0312554 A1	18.12.2008
		US 2010-0113973 A1	06.05.2010
		US 2011-0071433 A1	24.03.2011
		US 2011-0144532 A1	16.06.2011
		US 7828748 B2	09.11.2010
		US 7854707 B2	21.12.2010
		US 7867173 B2	11.01.2011
		US 7896817 B2	01.03.2011
		US 7918804 B2	05.04.2011
		US 7938786 B2	10.05.2011
		WO 2007-019152 A2	15.02.2007
		WO 2007-019152 A3	03.01.2008
		WO 2008-076712 A2	26.06.2008
		WO 2008-076712 A3	26.06.2008
US 2010-0063415 A1	11.03.2010	CA 2186283 A1	28.09.1995
		CA 2186283 C	24.07.2001
		CA 2211422 A1	15.08.1996
		DE 69628820 D1	31.07.2003
		DE 69628820 T2	13.05.2004
		DE 69633750 D1	02.12.2004
		DE 69633750 T2	03.11.2005
		EP 0751744 A1	22.12.2004
		EP 0751744 B1	07.03.2007
		EP 0808129 A2	29.01.2003
		EP 0808129 B1	25.06.2003
		EP 1197180 A2	17.04.2002
		EP 1197180 A3	02.05.2002
		EP 1197180 B1	27.10.2004
		EP 1834590 A2	19.09.2007
		EP 1834590 A3	28.11.2007
		EP 1834590 B1	07.09.2011
		ES 2201171 T3	16.03.2004
		ES 2231586 T3	16.05.2005
		JP 03650117 B2	18.05.2005

**INTERNATIONAL SEARCH REPORT**

Information on patent family members

International application No.

**PCT/US2011/042363**

Patent document cited in search report	Publication date	Patent family member(s)	Publication date
		JP 03706139 B2	12.10.2005
		JP 03769288 B2	19.04.2006
		JP 03868977 B2	17.01.2007
		JP 09-510638 A	28.10.1997
		JP 10-513384 A	22.12.1998
		JP 2005-199044 A	28.07.2005
		JP 2005-288187 A	20.10.2005
		US 05526822 A	18.06.1996
		US 05649547 A	22.07.1997
		US 05775333 A	07.07.1998
		US 05928164 A	27.07.1999
		US 05980469 A	09.11.1999
		US 2001-0007925 A1	12.07.2001
		US 2002-0016555 A1	07.02.2002
		US 2002-0120212 A1	29.08.2002
		US 2004-0019299 A1	29.01.2004
		US 2006-0167377 A1	27.07.2006
		US 2007-0156064 A1	05.07.2007
		US 2008-0154151 A1	26.06.2008
		US 2011-0160611 A1	30.06.2011
		US 6428486 B2	06.08.2002
		US 7226424 B2	05.06.2007
		US 7794411 B2	14.09.2010
		US 7918803 B2	05.04.2011
		US 7981050 B2	19.07.2011
		WO 95-25465 A3	28.09.1995
		WO 96-24289 A2	15.08.1996
		WO 96-24289 A3	15.08.1996