

(19) World Intellectual Property Organization
International Bureau



(43) International Publication Date
31 May 2007 (31.05.2007)

PCT

(10) International Publication Number
WO 2007/062331 A3

(51) International Patent Classification:
G06F 15/16 (2006.01)

(74) Agents: WEISS, Eli et al.; Greenberg Traurig, LLP, 200 Park Avenue, New York, NY 10166 (US).

(21) International Application Number:
PCT/US2006/061064

(81) Designated States (unless otherwise indicated, for every kind of national protection available): AE, AG, AL, AM, AT, AU, AZ, BA, BB, BG, BR, BW, BY, BZ, CA, CH, CN, CO, CR, CU, CZ, DE, DK, DM, DZ, EC, EE, EG, ES, FI, GB, GD, GE, GH, GM, GT, HN, HR, HU, ID, IL, IN, IS, JP, KE, KG, KM, KN, KP, KR, KZ, LA, LC, LK, LR, LS, LT, LU, LV, LY, MA, MD, MG, MK, MN, MW, MX, MY, MZ, NA, NG, NI, NO, NZ, OM, PG, PH, PL, PT, RO, RS, RU, SC, SD, SE, SG, SK, SL, SM, SV, SY, TJ, TM, TN, TR, TT, TZ, UA, UG, US, UZ, VC, VN, ZA, ZM, ZW.

(22) International Filing Date:
17 November 2006 (17.11.2006)

(25) Filing Language: English

(26) Publication Language: English

(30) Priority Data:
60/738,110 18 November 2005 (18.11.2005) US
11/559,676 14 November 2006 (14.11.2006) US

(84) Designated States (unless otherwise indicated, for every kind of regional protection available): ARIPO (BW, GH, GM, KE, LS, MW, MZ, NA, SD, SL, SZ, TZ, UG, ZM, ZW), Eurasian (AM, AZ, BY, KG, KZ, MD, RU, TJ, TM), European (AT, BE, BG, CH, CY, CZ, DE, DK, EE, ES, FI, FR, GB, GR, HU, IE, IS, IT, LT, LU, LV, MC, NL, PL, PT, RO, SE, SI, SK, TR), OAPI (BF, BJ, CF, CG, CI, CM, GA, GN, GQ, GW, ML, MR, NE, SN, TD, TG).

(71) Applicant (for all designated States except US): LEVITON MANUFACTURING CO., INC. [US/US]; 59-25 Little Neck Parkway, Little Neck, NY 11362 (US).

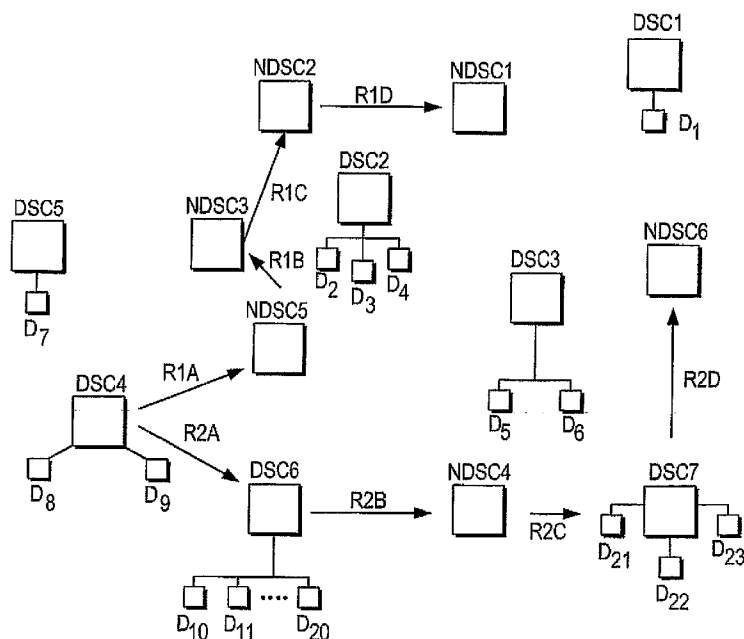
(72) Inventors; and

(75) Inventors/Applicants (for US only): OSTROVSKY, Michael [US/US]; 2170 Brigham Street, Brooklyn, NY 11229 (US). LOMBARDI, Alfred, J. [US/US]; 62 Alexander Drive, Syosset, NY 11791 (US).

Published:
— with international search report

(88) Date of publication of the international search report:
26 June 2008

(54) Title: COMMUNICATION NETWORK FOR CONTROLLING DEVICES



(57) Abstract: A system and method for controlling devices that are part of a peer to peer network of controllers is provided. Messages are routed to controllers of the network and such messages are used to control devices coupled to said controllers. Status messages indicating the state of devices are routed to controllers to allow the state of the devices to be displayed by said controllers.

WO 2007/062331 A3

INTERNATIONAL SEARCH REPORT

International application No.

PCT/US 06/61064

A. CLASSIFICATION OF SUBJECT MATTER IPC(8) - G06F 15/16 (2007.01) USPC - 709/229 According to International Patent Classification (IPC) or to both national classification and IPC													
B. FIELDS SEARCHED Minimum documentation searched (classification system followed by classification symbols) 709/229 Documentation searched other than minimum documentation to the extent that such documents are included in the fields searched 709/212, 213 Electronic data base consulted during the international search (name of data base and, where practicable, search terms used) PubWEST (PGPB, USPT, USOC, EPAB, JPAB) Search term used: master, main, primary, secondary, slave, optional, controller, manager, home, residential, network, controller, manager, HVAC, HAIL, RF, light, plurality, multiple.													
C. DOCUMENTS CONSIDERED TO BE RELEVANT													
<table border="1"> <thead> <tr> <th>Category*</th> <th>Citation of document, with indication, where appropriate, of the relevant passages</th> <th>Relevant to claim No.</th> </tr> </thead> <tbody> <tr> <td>Y</td> <td>US 6,684,253 B1 (WITAKER et al.) 27 January 2004 (27.01.2004) (fig. 5, col. 8, ln 15 to ln 55)</td> <td>1-30</td> </tr> <tr> <td>Y</td> <td>US 5,506,961 A (CARLSON et al.) 09 April 1996 (09.04.1996) (abstract; col. 5, ln 50 to col. 7, ln 5; col. 7, ln 5 to col. 10, ln 38; col. 9, ln 15 to ln 45)</td> <td>1-30</td> </tr> <tr> <td>Y</td> <td>US 6,901,439 B1 (BONASIA et al.) 31 May 2005 (31.05.2005) (fig. 7; item 240, fig. 18; col. 1, ln 20 to col. 2, ln 20; col. 2, ln 40 to ln 48; col. 8, ln 35 to ln 45; col. 12, ln 15 to ln 35; col. 13, ln 25 to ln 37; col. 14, ln 29 to ln 40)</td> <td>2-4, 6-9, 12-14, 16-19, 24-26, 28, 29, 30</td> </tr> </tbody> </table>	Category*	Citation of document, with indication, where appropriate, of the relevant passages	Relevant to claim No.	Y	US 6,684,253 B1 (WITAKER et al.) 27 January 2004 (27.01.2004) (fig. 5, col. 8, ln 15 to ln 55)	1-30	Y	US 5,506,961 A (CARLSON et al.) 09 April 1996 (09.04.1996) (abstract; col. 5, ln 50 to col. 7, ln 5; col. 7, ln 5 to col. 10, ln 38; col. 9, ln 15 to ln 45)	1-30	Y	US 6,901,439 B1 (BONASIA et al.) 31 May 2005 (31.05.2005) (fig. 7; item 240, fig. 18; col. 1, ln 20 to col. 2, ln 20; col. 2, ln 40 to ln 48; col. 8, ln 35 to ln 45; col. 12, ln 15 to ln 35; col. 13, ln 25 to ln 37; col. 14, ln 29 to ln 40)	2-4, 6-9, 12-14, 16-19, 24-26, 28, 29, 30	
Category*	Citation of document, with indication, where appropriate, of the relevant passages	Relevant to claim No.											
Y	US 6,684,253 B1 (WITAKER et al.) 27 January 2004 (27.01.2004) (fig. 5, col. 8, ln 15 to ln 55)	1-30											
Y	US 5,506,961 A (CARLSON et al.) 09 April 1996 (09.04.1996) (abstract; col. 5, ln 50 to col. 7, ln 5; col. 7, ln 5 to col. 10, ln 38; col. 9, ln 15 to ln 45)	1-30											
Y	US 6,901,439 B1 (BONASIA et al.) 31 May 2005 (31.05.2005) (fig. 7; item 240, fig. 18; col. 1, ln 20 to col. 2, ln 20; col. 2, ln 40 to ln 48; col. 8, ln 35 to ln 45; col. 12, ln 15 to ln 35; col. 13, ln 25 to ln 37; col. 14, ln 29 to ln 40)	2-4, 6-9, 12-14, 16-19, 24-26, 28, 29, 30											
<input type="checkbox"/> Further documents are listed in the continuation of Box C. <input type="checkbox"/>													
<table border="0"> <tr> <td>* Special categories of cited documents:</td> <td>"T" later document published after the international filing date or priority date and not in conflict with the application but cited to understand the principle or theory underlying the invention</td> </tr> <tr> <td>"A" document defining the general state of the art which is not considered to be of particular relevance</td> <td>"X" document of particular relevance; the claimed invention cannot be considered novel or cannot be considered to involve an inventive step when the document is taken alone</td> </tr> <tr> <td>"E" earlier application or patent but published on or after the international filing date</td> <td>"Y" document of particular relevance; the claimed invention cannot be considered to involve an inventive step when the document is combined with one or more other such documents, such combination being obvious to a person skilled in the art</td> </tr> <tr> <td>"L" document which may throw doubts on priority claim(s) or which is cited to establish the publication date of another citation or other special reason (as specified)</td> <td>"&" document member of the same patent family</td> </tr> <tr> <td>"O" document referring to an oral disclosure, use, exhibition or other means</td> <td></td> </tr> <tr> <td>"P" document published prior to the international filing date but later than the priority date claimed</td> <td></td> </tr> </table>		* Special categories of cited documents:	"T" later document published after the international filing date or priority date and not in conflict with the application but cited to understand the principle or theory underlying the invention	"A" document defining the general state of the art which is not considered to be of particular relevance	"X" document of particular relevance; the claimed invention cannot be considered novel or cannot be considered to involve an inventive step when the document is taken alone	"E" earlier application or patent but published on or after the international filing date	"Y" document of particular relevance; the claimed invention cannot be considered to involve an inventive step when the document is combined with one or more other such documents, such combination being obvious to a person skilled in the art	"L" document which may throw doubts on priority claim(s) or which is cited to establish the publication date of another citation or other special reason (as specified)	"&" document member of the same patent family	"O" document referring to an oral disclosure, use, exhibition or other means		"P" document published prior to the international filing date but later than the priority date claimed	
* Special categories of cited documents:	"T" later document published after the international filing date or priority date and not in conflict with the application but cited to understand the principle or theory underlying the invention												
"A" document defining the general state of the art which is not considered to be of particular relevance	"X" document of particular relevance; the claimed invention cannot be considered novel or cannot be considered to involve an inventive step when the document is taken alone												
"E" earlier application or patent but published on or after the international filing date	"Y" document of particular relevance; the claimed invention cannot be considered to involve an inventive step when the document is combined with one or more other such documents, such combination being obvious to a person skilled in the art												
"L" document which may throw doubts on priority claim(s) or which is cited to establish the publication date of another citation or other special reason (as specified)	"&" document member of the same patent family												
"O" document referring to an oral disclosure, use, exhibition or other means													
"P" document published prior to the international filing date but later than the priority date claimed													
Date of the actual completion of the international search 14 August 2007 (14.08.2007)	Date of mailing of the international search report 21 MAR 2008												
Name and mailing address of the ISA/US Mail Stop PCT, Attn: ISA/US, Commissioner for Patents P.O. Box 1450, Alexandria, Virginia 22313-1450 Facsimile No. 571-273-3201	Authorized officer: Lee W. Young PCT Helpdesk: 571-272-4300 PCT OSP: 571-272-7774												