



US00D856604S

(12) **United States Design Patent**  
**Peart**

(10) **Patent No.:** **US D856,604 S**

(45) **Date of Patent:** **\*\* Aug. 13, 2019**

- (54) **PET BOWL**
- (71) Applicant: **Justin Banker Peart**, Clarendon Hills, IL (US)
- (72) Inventor: **Justin Banker Peart**, Clarendon Hills, IL (US)
- (\*\*) Term: **15 Years**
- (21) Appl. No.: **29/636,337**
- (22) Filed: **Feb. 7, 2018**
- (51) **LOC (12) Cl.** ..... **30-03**
- (52) **U.S. Cl.**  
USPC ..... **D30/129**
- (58) **Field of Classification Search**  
USPC .... D30/121, 122, 129-133; 119/61.5, 51.01, 119/61.56, 51.03, 59, 62, 63, 51.5, 57.8, 119/74, 61.54, 61.55; 312/204; 248/151, 248/188; 108/156, 153.1-157; 220/23.87, 630, 737, 743, 9.4, 495.01, 220/574, 212, 255, 23.83; 206/515; D7/586, 543, 550.1, 587, 505, 584, 545, D7/500, 553.1-553.8, 546, 555, 556, 504, D7/565, 562, 602; D9/429; 43/109; D22/122; 99/430, DIG. 15  
CPC ..... A01K 5/0114; A01K 5/01; A01K 5/0135; A01K 7/005; A01K 7/00; A01K 7/02; A01K 5/0142; A01K 5/0121; A01K 5/0128; A01K 27/004; A01K 39/014; A01K 39/00; A01K 39/02; A01K 39/0113; A47J 43/0727; A01M 29/34; B29C 65/48; B65D 81/36  
See application file for complete search history.

D28,205 S *	1/1898	Elmberg	.....	D21/340
1,002,509 A *	9/1911	Fitz	.....	A61J 19/00
				4/258
1,368,425 A *	2/1921	Escobar	.....	A63F 7/041
				273/113
2,011,266 A *	8/1935	Boynton	.....	A63F 7/041
				273/153 R
3,260,236 A *	7/1966	Jones	.....	A01K 1/031
				119/417
3,552,750 A *	1/1971	Lomberk et al.	.....	A63F 7/044
				273/112
3,625,516 A *	12/1971	Handweiler	.....	A63F 7/041
				273/153 R
3,731,933 A *	5/1973	Grant	.....	A63F 7/041
				273/113
D228,005 S *	7/1973	Stubbmann	.....	273/153 R
3,747,930 A *	7/1973	Barlow	.....	A63F 7/041
				273/110
3,785,651 A *	1/1974	Smith	.....	A63F 9/0078
				273/113
3,811,676 A *	5/1974	Greenberg	.....	A63F 7/041
				273/110

(Continued)

Primary Examiner — Susan Moon Lee

(57) **CLAIM**

I claim the ornamental design for a pet bowl, as shown and described.

**DESCRIPTION**

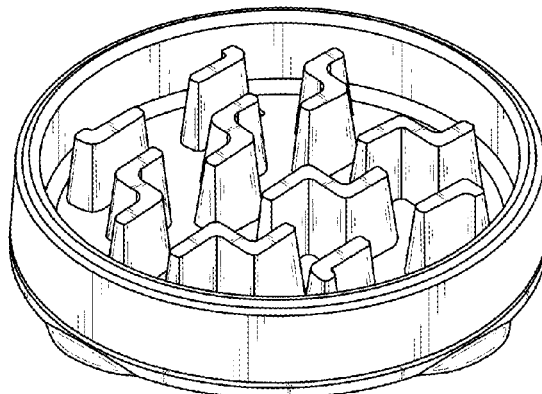
FIG. 1 is a perspective view showing my design for a pet bowl;  
 FIG. 2 is a top plan view thereof;  
 FIG. 3 is an underside view thereof;  
 FIG. 4 is an east side elevation view thereof;  
 FIG. 5 is a west side elevation view thereof;  
 FIG. 6 is a north side elevation view thereof; and  
 FIG. 7 is a south side elevation view thereof.

**1 Claim, 5 Drawing Sheets**

(56) **References Cited**

**U.S. PATENT DOCUMENTS**

556,152 A *	3/1896	Lawrence	.....	A63F 7/041
				273/111
570,858 A *	11/1896	Waddel	.....	A63F 7/044
				273/113



(56)

References Cited

U.S. PATENT DOCUMENTS

3,829,096	A *	8/1974	Gioia	A63F 7/041	D606,277	S *	12/2009	Hachmann	D1/106
				273/110	D609,089	S *	2/2010	Knox, Jr.	D9/432
3,857,364	A *	12/1974	Miller, Jr.	A01K 1/031	D613,330	S *	4/2010	Ho	D18/2
				119/417	8,087,528	B1 *	1/2012	Scarlett	A47G 23/0216
4,008,895	A *	2/1977	Reiner	A63F 7/042					220/23.89
				273/113	D654,230	S *	2/2012	Tedaldi	D30/129
D245,436	S *	8/1977	Zelenko	D21/340	D698,095	S *	1/2014	Paculdo	D30/121
4,055,341	A *	10/1977	Martinez	A63F 7/386	D698,096	S *	1/2014	Paculdo	D30/121
				273/110	D699,009	S *	2/2014	Hansen	D30/121
D250,286	S *	11/1978	Zelenko	D21/340	D705,999	S *	5/2014	Hansen	D30/121
4,248,427	A *	2/1981	Vierimaa	A63F 7/02	D706,000	S *	5/2014	Martinez	D30/121
				273/110	D706,001	S *	5/2014	Hansen	D30/121
4,251,075	A *	2/1981	Jaworski	A63F 7/041	D706,493	S *	6/2014	Hansen	D30/121
				273/113	D706,494	S *	6/2014	Hansen	D30/121
D261,911	S *	11/1981	Mayuzumi	D21/340	D706,495	S *	6/2014	Hansen	D30/121
4,332,385	A *	6/1982	McCaslin	A63F 7/041	8,899,180	B2 *	12/2014	Lindskov	A01K 5/0114
				273/113					119/61.1
D275,210	S *	8/1984	Matsumoto	D21/329	D732,421	S *	6/2015	Cordova	D11/164
4,542,713	A *	9/1985	Hansen	A01K 1/031	D769,546	S *	10/2016	Hansen	D30/121
				119/417	9,861,885	B2 *	1/2018	Wertz	A63F 7/041
D297,023	S *	8/1988	Black	D21/340	D819,278	S *	5/2018	Watanabe	D30/129
5,205,558	A *	4/1993	Wilson	A63F 7/042	D833,086	S *	11/2018	Hansen	D30/121
				273/113	2005/0167909	A1 *	8/2005	Race	A63F 7/041
5,314,181	A *	5/1994	Lin	A63F 7/041					273/110
				273/109	2010/0003374	A1 *	1/2010	Hachmann	A23G 3/50
5,906,373	A *	5/1999	Sanders	A63B 67/00					426/104
				273/349	2010/0109240	A1 *	5/2010	Ingman, Sr.	A63F 9/0078
6,220,917	B1 *	4/2001	Nelson	A63H 33/00					273/153 R
				273/115	2011/0018197	A1 *	1/2011	Black	A63F 7/041
7,264,155	B2 *	9/2007	Halbur	A63F 7/041					273/153 S
				235/380	2014/0196671	A1 *	7/2014	Taylor	A01K 15/025
D590,109	S *	4/2009	Anderson	D30/129					119/707
D600,861	S *	9/2009	Sin	D30/129	2016/0144272	A1 *	5/2016	Flesher	A63F 9/001
									40/124.03
					2018/0256968	A1 *	9/2018	Aronson	A63F 7/044

\* cited by examiner

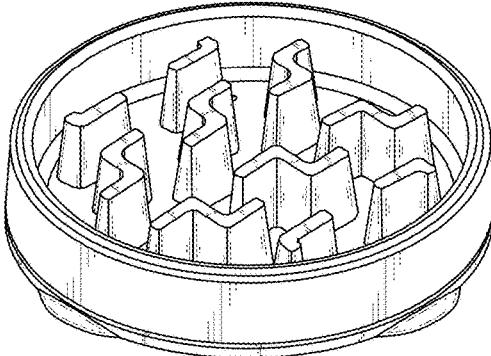


FIG. 1

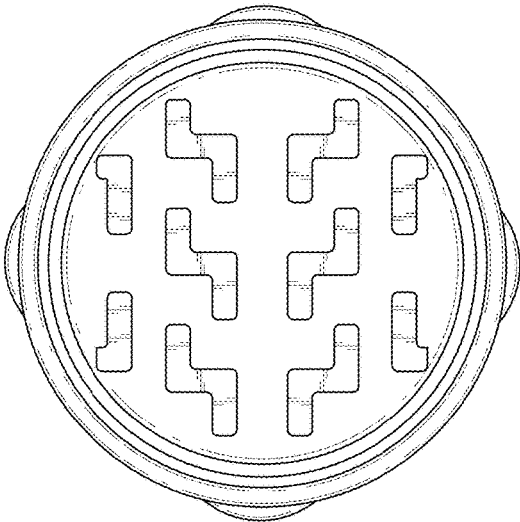


FIG. 2

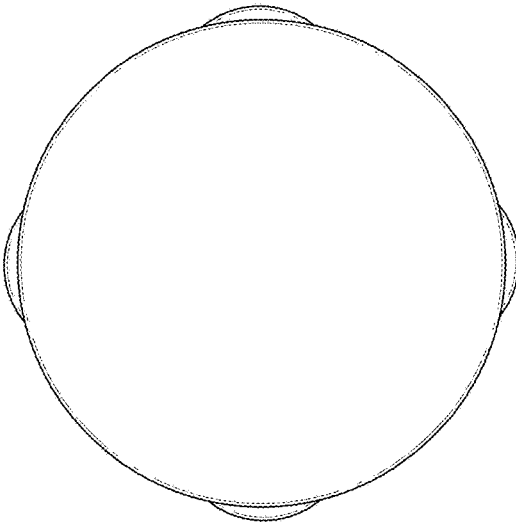


FIG. 3



FIG. 4



FIG. 5



FIG. 6



FIG. 7