

(19) World Intellectual Property Organization
International Bureau



(43) International Publication Date
20 October 2011 (20.10.2011)

(10) International Publication Number
WO 2011/129968 A3

(51) International Patent Classification:
A47C 1/034 (2006.01) A47C 7/50 (2006.01)

(74) Agents: **KELLER, Paul A.** et al.; Harness, Dickey & Pierce, P.L.C., P.O. Box 828, Bloomfield Hills, Michigan 48303 (US).

(21) International Application Number:
PCT/US2011/029561

(81) Designated States (unless otherwise indicated, for every kind of national protection available): AE, AG, AL, AM, AO, AT, AU, AZ, BA, BB, BG, BH, BR, BW, BY, BZ, CA, CH, CL, CN, CO, CR, CU, CZ, DE, DK, DM, DO, DZ, EC, EE, EG, ES, FI, GB, GD, GE, GH, GM, GT, HN, HR, HU, ID, IL, IN, IS, JP, KE, KG, KM, KN, KP, KR, KZ, LA, LC, LK, LR, LS, LT, LU, LY, MA, MD, ME, MG, MK, MN, MW, MX, MY, MZ, NA, NG, NI, NO, NZ, OM, PE, PG, PH, PL, PT, RO, RS, RU, SC, SD, SE, SG, SK, SL, SM, ST, SV, SY, TH, TJ, TM, TN, TR, TT, TZ, UA, UG, US, UZ, VC, VN, ZA, ZM, ZW.

(22) International Filing Date:
23 March 2011 (23.03.2011)

(25) Filing Language: English

(26) Publication Language: English

(30) Priority Data:
12/759,250 13 April 2010 (13.04.2010) US

(71) Applicant (for all designated States except US): **LA-Z-BOY INCORPORATED** [US/US]; 1284 North Telegraph Road, Monroe, Michigan 48162 (US).

(72) Inventors; and

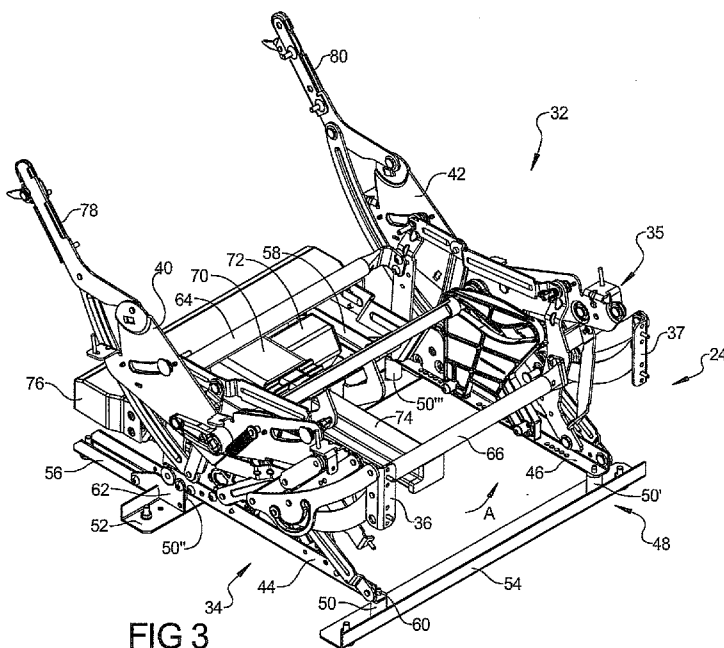
(75) Inventors/Applicants (for US only): **LAPOINTE, Larry P.** [US/US]; 1066 Substation Road, Temperance, Michigan 48182 (US). **ADAMS, Chad E.** [US/US]; 29084 E. Winners Circle Dr., Perrysburg, Ohio 43551 (US). **HARWOOD, Eric B.** [US/US]; 5654 Jan Court, Toledo, Ohio 43613 (US). **MARSHALL, Richard E.** [US/US]; 3007 Hiawatha Lane, Monroe, Michigan 48161 (US). **MERO, Michael R.** [US/US]; 2259 Strasburg Rd., Monroe, Michigan 48161 (US).

(84) Designated States (unless otherwise indicated, for every kind of regional protection available): ARIPO (BW, GH, GM, KE, LR, LS, MW, MZ, NA, SD, SL, SZ, TZ, UG, ZM, ZW), Eurasian (AM, AZ, BY, KG, KZ, MD, RU, TJ, TM), European (AL, AT, BE, BG, CH, CY, CZ, DE, DK, EE, ES, FI, FR, GB, GR, HR, HU, IE, IS, IT, LT, LU, LV, MC, MK, MT, NL, NO, PL, PT, RO, RS, SE, SI, SK, SM, TR), OAPI (BF, BJ, CF, CG, CI, CM, GA, GN, GQ, GW, ML, MR, NE, SN, TD, TG).

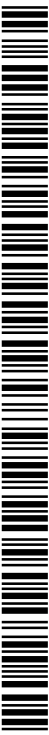
Declarations under Rule 4.17:

[Continued on next page]

(54) Title: POWER ACTUATED WALL PROXIMITY FURNITURE MEMBER



(57) Abstract: An electrically operated wall proximity furniture member includes a frame and an actuation mechanism rotatably connected to the frame. The actuation mechanism includes first and second independently rotatable seat back support members oriented to face a wall outer surface. An electrically powered drive assembly operates to rotate the seat back member between fully upright and fully reclined positions inclusive. A point of the seat back support members when positioned in the fully upright position defines a rear-most extent of the actuation mechanism. The rear-most extent defines a vertical plane having no portion of the actuation mechanism extending beyond the rear-most extent toward the wall outer surface during any operation of the actuation mechanism.



WO 2011/129968 A3

- *as to applicant's entitlement to apply for and be granted a patent (Rule 4.17(ii))*
 - *as to the applicant's entitlement to claim the priority of the earlier application (Rule 4.17(iii))*
- Published:**
— *with international search report (Art. 21(3))*
- (88) Date of publication of the international search report:**
5 April 2012

INTERNATIONAL SEARCH REPORT

International application No.
PCT/US2011/029561**A. CLASSIFICATION OF SUBJECT MATTER***A47C 1/034(2006.01)i, A47C 7/50(2006.01)i*

According to International Patent Classification (IPC) or to both national classification and IPC

B. FIELDS SEARCHED

Minimum documentation searched (classification system followed by classification symbols)

A47C 1/034; A47C 1/02; A47C 3/02

Documentation searched other than minimum documentation to the extent that such documents are included in the fields searched

Korean utility models and applications for utility models

Japanese utility models and applications for utility models

Electronic data base consulted during the international search (name of data base and, where practicable, search terms used)

eKOMPASS(KIPO internal) & Keywords: reclining chair, seat back, leg rest, rotate, tilt

C. DOCUMENTS CONSIDERED TO BE RELEVANT

Category*	Citation of document, with indication, where appropriate, of the relevant passages	Relevant to claim No.
X A	US 05992931 A (LARRY P. LAPOINTE et al.) 30 November 1999 See claims 1-22, figures 1-7 and abstract.	1-4, 6-7, 10-14 , 16-20, 22 5, 8-9, 15, 21
A	US 2003-0047973 A1 (RENE PELLERIN) 13 March 2003 See claims 1-15, figures 1-15C and abstract.	1-22
A	US 06000758 A (WALTER E. SCHAFFNER et al.) 14 December 1999 See claims 1-66, figures 1-37 and abstract.	1-22
A	US 05423591 A (LARRY P. LAPOINTE et al.) 13 June 1995 See claims 1-72, figures 1-9H and abstract.	1-22

 Further documents are listed in the continuation of Box C. See patent family annex.

* Special categories of cited documents:

"A" document defining the general state of the art which is not considered to be of particular relevance

"E" earlier application or patent but published on or after the international filing date

"L" document which may throw doubts on priority claim(s) or which is cited to establish the publication date of citation or other special reason (as specified)

"O" document referring to an oral disclosure, use, exhibition or other means

"P" document published prior to the international filing date but later than the priority date claimed

"T" later document published after the international filing date or priority date and not in conflict with the application but cited to understand the principle or theory underlying the invention

"X" document of particular relevance; the claimed invention cannot be considered novel or cannot be considered to involve an inventive step when the document is taken alone

"Y" document of particular relevance; the claimed invention cannot be considered to involve an inventive step when the document is combined with one or more other such documents, such combination being obvious to a person skilled in the art

"&" document member of the same patent family

Date of the actual completion of the international search

29 DECEMBER 2011 (29.12.2011)

Date of mailing of the international search report

02 JANUARY 2012 (02.01.2012)

Name and mailing address of the ISA/KR

Korean Intellectual Property Office
Government Complex-Daejeon, 189 Cheongsu-ro,
Seo-gu, Daejeon 302-701, Republic of Korea

Facsimile No. 82-42-472-7140

Authorized officer

PARK Mi Jung

Telephone No. 82-42-481-8447



INTERNATIONAL SEARCH REPORT

Information on patent family members

International application No.

PCT/US2011/029561

Patent document cited in search report	Publication date	Patent family member(s)	Publication date
US 05992931 A	30.11.1999	AU 1997-38941 B2	19.10.2000
		AU 1997-38941 C	11.05.1998
		AU 725667 C	16.08.2001
		CA 2086971 A1	14.07.1993
		CA 2086971 C	14.07.1993
		CA 2086971 C	02.04.2002
		CA 2129265 A1	10.02.1995
		CA 2129265 C	01.11.2005
		CA 2129466 A1	10.02.1995
		CA 2129466 C	24.05.2005
		CA 2202158 A1	25.04.1996
		CA 2202158 C	19.09.2000
		CA 2268142 A1	23.04.1998
		CA 2268142 C	24.05.2005
		CA 2269316 A1	17.10.1999
		CA 2269316 C	13.07.2004
		EP 0509823 A1	21.10.1992
		EP 0509823 B1	07.06.1995
		EP 0536961 A1	14.04.1993
		EP 0536961 B1	15.05.1996
		EP 0619967 A1	19.10.1994
		EP 0619967 B1	08.10.1997
		EP 0638267 A2	15.02.1995
		EP 0645975 A1	04.06.1997
		EP 0645975 B1	22.04.1998
		EP 0785741 A1	10.04.2002
		GB 2252238 A	05.08.1992
		GB 2252239 A	05.08.1992
		GB 2252240 A	05.08.1992
		GB 2333228 A	21.07.1999
		GB 2347623 A	13.09.2000
		JP 02-772296 B2	24.04.1998
		JP 03-188278 B2	11.05.2001
		JP 03-322698 B2	28.06.2002
		JP 04-276215 A	01.10.1992
		JP 05-261013 A	12.10.1993
		JP 06-087817 B2	09.11.1994
		JP 06-319626 A	22.11.1994
		JP 07-163435 A	27.06.1995
		JP 08-000087 B2	10.01.1996
		JP 08-507225 A	06.08.1996
		JP 1956507 C	10.08.1995
		JP 2000-505678 A	16.05.2000
JP 2001-525684 A	11.12.2001		
JP 2086238 C	23.08.1996		
JP 3322698 B2	09.09.2002		
JP 4276214 A	01.10.1992		
JP 4276216 A	01.10.1992		
KR 10-0259130 B1	15.06.2000		

INTERNATIONAL SEARCH REPORT

Information on patent family members

International application No.

PCT/US2011/029561

Patent document cited in search report	Publication date	Patent family member(s)	Publication date
		KR 10-0270885 B1	01.11.2000
		KR 10-1992-0019305 A	19.11.1992
		KR 10-1994-0023419 A	17.11.1994
		KR 10-1995-0005244 A	20.03.1995
		US 05141284A A	25.08.1992
		US 05156441A A	20.10.1992
		US 05222286A A	29.06.1993
		US 05234253A A	10.08.1993
		US 05288126A A	22.02.1994
		US 05301413A A	12.04.1994
		US 05323526A A	28.06.1994
		US 05382073A A	17.01.1995
		US 05423591A A	13.06.1995
		US 05427431A A	27.06.1995
		US 05435621A A	25.07.1995
		US 05570927A A	05.11.1996
		US 05570930A A	05.11.1996
		US 05806921A A	15.09.1998
		WO 94-00038 A1	06.01.1994
		WO 96-11607 A1	25.04.1996
		WO 96-11608 A1	25.04.1996
		WO 98-16137 A1	23.04.1998
US 2003-0047973 A1	13.03.2003	CA 2387481 A1	24.11.2003
		GB 0121732 D0	31.10.2001
		US 6659556 B2	09.12.2003
US 06000758 A	14.12.1999	None	
US 05423591 A	13.06.1995	AU 1997-38941 B2	19.10.2000
		AU 1997-38941 C	11.05.1998
		AU 725667 C	16.08.2001
		CA 2086971 A1	14.07.1993
		CA 2086971 C	14.07.1993
		CA 2086971 C	02.04.2002
		CA 2129265 A1	10.02.1995
		CA 2129265 C	01.11.2005
		CA 2129466 A1	10.02.1995
		CA 2129466 C	24.05.2005
		CA 2202158 A1	25.04.1996
		CA 2202158 C	19.09.2000
		CA 2268142 A1	23.04.1998
		CA 2268142 C	24.05.2005
		CA 2269316 A1	17.10.1999
		CA 2269316 C	13.07.2004
		EP 0509823 A1	21.10.1992
		EP 0509823 B1	07.06.1995
		EP 0536961 A1	14.04.1993
		EP 0536961 B1	15.05.1996
		EP 0619967 A1	19.10.1994

INTERNATIONAL SEARCH REPORT

Information on patent family members

International application No.

PCT/US2011/029561

Patent document cited in search report	Publication date	Patent family member(s)	Publication date
		EP 0619967 B1	08.10.1997
		EP 0638267 A2	15.02.1995
		EP 0645975 A1	04.06.1997
		EP 0645975 B1	22.04.1998
		EP 0785741 A1	10.04.2002
		GB 2252238 A	05.08.1992
		GB 2252239 A	05.08.1992
		GB 2252240 A	05.08.1992
		GB 2333228 A	21.07.1999
		GB 2347623 A	13.09.2000
		JP 02-772296 B2	24.04.1998
		JP 03-188278 B2	11.05.2001
		JP 03-322698 B2	28.06.2002
		JP 04-276215 A	01.10.1992
		JP 05-261013 A	12.10.1993
		JP 06-087817 B2	09.11.1994
		JP 06-319626 A	22.11.1994
		JP 07-163435 A	27.06.1995
		JP 08-000087 B2	10.01.1996
		JP 08-507225 A	06.08.1996
		JP 1956507 C	10.08.1995
		JP 2000-505678 A	16.05.2000
		JP 2001-525684 A	11.12.2001
		JP 2086238 C	23.08.1996
		JP 3322698 B2	09.09.2002
		JP 4276214 A	01.10.1992
		JP 4276216 A	01.10.1992
		KR 10-0259130 B1	15.06.2000
		KR 10-0270885 B1	01.11.2000
		KR 10-1992-0019305 A	19.11.1992
		KR 10-1994-0023419 A	17.11.1994
		KR 10-1995-0005244 A	20.03.1995
		US 05141284A A	25.08.1992
		US 05156441A A	20.10.1992
		US 05222286A A	29.06.1993
		US 05234253A A	10.08.1993
		US 05288126A A	22.02.1994
		US 05301413A A	12.04.1994
		US 05323526A A	28.06.1994
		US 05382073A A	17.01.1995
		US 05427431A A	27.06.1995
		US 05435621A A	25.07.1995
		US 05570927A A	05.11.1996
		US 05570930A A	05.11.1996
		US 05806921A A	15.09.1998
		US 05992931A A	30.11.1999
		WO 94-00038 A1	06.01.1994
		WO 96-11607 A1	25.04.1996
		WO 96-11608 A1	25.04.1996
		WO 98-16137 A1	23.04.1998