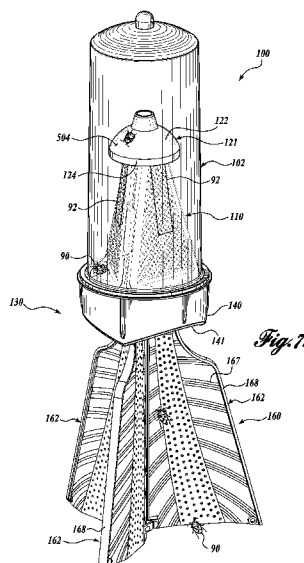




- (51) International Patent Classification:  
A01M 1/02 (2006.01) A01M 1/00 (2006.01)  
A01P 19/00 (2006.01)
- (21) International Application Number: PCT/US2012/020213
- (22) International Filing Date: 4 January 2012 (04.01.2012)
- (25) Filing Language: English
- (26) Publication Language: English
- (30) Priority Data:  
61/435,647 24 January 2011 (24.01.2011) US  
61/453,033 15 March 2011 (15.03.2011) US  
13/331,394 20 December 2011 (20.12.2011) US
- (63) Related by continuation (CON) or continuation-in-part (CIP) to earlier applications:  
US 61/435,647 (CON)  
Filed on 24 January 2011 (24.01.2011)  
US 13/331,394 (CON)  
Filed on 20 December 2011 (20.12.2011)  
US 61/453,033 (CON)  
Filed on 15 March 2011 (15.03.2011)
- (71) Applicant (for all designated States except US): **STERLING INTERNATIONAL INC.** [US/US]; 3808 North Sullivan Road, Bldg. 16bv, Spokane, WA 99216-1630 (US).
- (72) Inventors; and
- (75) Inventors/Applicants (for US only): **SCHNEIDMILLER, Rodney, G.** [US/US]; 6715 South Saddle Ridge Lane, Greenacres, WA 99016 (US). **ZHANG, Qing-He** [CN/US]; 708 South Wilbur Court, Spokane, WA 99206 (US).
- (74) Agent: **CRUZ, Laura A.**; Christensen O'Connor Johnson Kindness, PLLC, 1420 Fifth Avenue, Suite 2800, Seattle, WA 98101-2347 (US).
- (81) Designated States (unless otherwise indicated, for every kind of national protection available): AE, AG, AL, AM, AO, AT, AU, AZ, BA, BB, BG, BH, BR, BW, BY, BZ, CA, CH, CL, CN, CO, CR, CU, CZ, DE, DK, DM, DO, DZ, EC, EE, EG, ES, FI, GB, GD, GE, GH, GM, GT, HN, HR, HU, ID, IL, IN, IS, JP, KE, KG, KM, KN, KP, KR, KZ, LA, LC, LK, LR, LS, LT, LU, LY, MA, MD, ME, MG, MK, MN, MW, MX, MY, MZ, NA, NG, NI, NO, NZ, OM, PE, PG, PH, PL, PT, QA, RO, RS, RU, RW, SC, SD, SE, SG, SK, SL, SM, ST, SV, SY, TH, TJ, TM, TN, TR, TT, TZ, UA, UG, US, UZ, VC, VN, ZA, ZM, ZW.
- (84) Designated States (unless otherwise indicated, for every kind of regional protection available): ARIPO (BW, GH,

[Continued on next page]

(54) Title: METHOD FOR REDUCING THE ABILITY OF INSECTS TO ADHERE TO SURFACES



(57) Abstract: A method for rendering a surface nonadhesive to insects is described. The method may include providing a surface, wherein the surface is desired to be nonadhesive to an insect having a foot contact structure, and creating or otherwise applying to or on the surface, features that are commensurate in size to a contact area size of the contact structure on the bottom of insect feet. The method may be used to provide a device which attaches to an insect trap cone, funnel, or pyramid, wherein the device comprises the nonadhesive surface.





GM, KE, LR, LS, MW, MZ, NA, RW, SD, SL, SZ, TZ, UG, ZM, ZW), Eurasian (AM, AZ, BY, KG, KZ, MD, RU, TJ, TM), European (AL, AT, BE, BG, CH, CY, CZ, DE, DK, EE, ES, FI, FR, GB, GR, HR, HU, IE, IS, IT, LT, LU, LV, MC, MK, MT, NL, NO, PL, PT, RO, RS, SE, SI, SK, SM, TR), OAPI (BF, BJ, CF, CG, CI, CM, GA, GN, GQ, GW, ML, MR, NE, SN, TD, TG).

— *before the expiration of the time limit for amending the claims and to be republished in the event of receipt of amendments (Rule 48.2(h))*

**(88) Date of publication of the international search report:**  
26 October 2012

**Published:**

— *with international search report (Art. 21(3))*

**A. CLASSIFICATION OF SUBJECT MATTER***A01M 1/02(2006.01)i, A01P 19/00(2006.01)i, A01M 1/00(2006.01)i*

According to International Patent Classification (IPC) or to both national classification and IPC

**B. FIELDS SEARCHED**

Minimum documentation searched (classification system followed by classification symbols)

A01M 1/02; A01M 1/14; A01M 1/10; A01M 1/20; A01M 1/00; A01M 1/24

Documentation searched other than minimum documentation to the extent that such documents are included in the fields searched

Korean utility models and applications for utility models

Japanese utility models and applications for utility models

Electronic data base consulted during the international search (name of data base and, where practicable, search terms used)

eKOMPASS(KIPO internal) &amp; Keywords: insect, substrate, surface, contact structure

**C. DOCUMENTS CONSIDERED TO BE RELEVANT**

Category*	Citation of document, with indication, where appropriate, of the relevant passages	Relevant to claim No.
A	US 04263740 A (HEMSARTH; W. LANCE H. et al.) 28 April 1981 See abstract; column 2 line 1-column 3 line 40; figures 1-3; claim 1	1-23
A	US 2005-0138858 A1 (WILLIAM LYNG) 30 June 2005 See abstract; paragraphs [0019]-[0025]; figures 1-3; claim 1	1-23
A	JP 2008-161090 A (NATIONAL AGRICULTURE & FOOD RESEARCH ORGANIZATION et al.) 17 July 2008 See abstract; paragraphs [0018]-[0029]; figures 1-6; claim 1	1-23
A	US 2009-0282728 A1 (MCKNIGHT SUSAN et al.) 19 November 2009 See abstract; paragraphs [0025]-[0034]; figures 1 and 2; claim 1	1-23
A	JP 2009-112198 A (MURAKAMI HIDEKI) 28 May 2009 See abstract; paragraphs [0006]-[0012]; figures 1 and 2; claim 1	1-23

 Further documents are listed in the continuation of Box C. See patent family annex.

\* Special categories of cited documents:

"A" document defining the general state of the art which is not considered to be of particular relevance

"E" earlier application or patent but published on or after the international filing date

"L" document which may throw doubts on priority claim(s) or which is cited to establish the publication date of citation or other special reason (as specified)

"O" document referring to an oral disclosure, use, exhibition or other means

"P" document published prior to the international filing date but later than the priority date claimed

"T" later document published after the international filing date or priority date and not in conflict with the application but cited to understand the principle or theory underlying the invention

"X" document of particular relevance; the claimed invention cannot be considered novel or cannot be considered to involve an inventive step when the document is taken alone

"Y" document of particular relevance; the claimed invention cannot be considered to involve an inventive step when the document is combined with one or more other such documents, such combination being obvious to a person skilled in the art

"&amp;" document member of the same patent family

Date of the actual completion of the international search

29 AUGUST 2012 (29.08.2012)

Date of mailing of the international search report

**30 AUGUST 2012 (30.08.2012)**

Name and mailing address of the ISA/KR

Korean Intellectual Property Office  
189 Cheongsu-ro, Seo-gu, Daejeon Metropolitan  
City, 302-701, Republic of Korea

Facsimile No. 82-42-472-7140

Authorized officer

PARK, ROH CHOON

Telephone No. 82-42-481-8413



**INTERNATIONAL SEARCH REPORT**

Information on patent family members

International application No.

**PCT/US2012/020213**

Patent document cited in search report	Publication date	Patent family member(s)	Publication date
US 04263740 A	28.04.1981	None	
US 2005-0138858 A1	30.06.2005	None	
JP 2008-161090 A	17.07.2008	None	
US 2009-0282728 A1	19.11.2009	AU 2009-244858 A1 CA 2723624 A1 GB 201018990 D0 GB 2473358 A US 2011-225873 A1 WO 2009-137047 A1	12.11.2009 12.11.2009 22.12.2010 09.03.2011 22.09.2011 12.11.2009
JP 2009-112198 A	28.05.2009	None	