



US00D648359S

(12) **United States Design Patent**
Yu et al.

(10) **Patent No.:** **US D648,359 S**

(45) **Date of Patent:** **** Nov. 8, 2011**

(54) **DOOR FOR REFRIGERATOR**

(75) Inventors: **Seonil Yu**, Gyeonggi-do (KR);
Kyeongchul Cho, Gyeonggi-do (KR);
Hongsik Kwon, Seoul (KR)

(73) Assignee: **LG Electronics Inc.**, Seoul (KR)

(**) Term: **14 Years**

(21) Appl. No.: **29/384,264**

(22) Filed: **Jan. 28, 2011**

(30) **Foreign Application Priority Data**

Jul. 29, 2010 (KR) 30-2010-0033319

(51) **LOC (9) Cl.** **15-07**

(52) **U.S. Cl.** **D15/91**

(58) **Field of Classification Search** D15/79-91;
62/3.6, 3.63, 3.64, 293, 467, 339, 373, 457,
62/265, 440, 441; 312/400-408, 139.2, 236,
312/297, 116, 117; D6/329, 396, 432, 445,
D6/449, 559

See application file for complete search history.

(56) **References Cited**

U.S. PATENT DOCUMENTS

2,945,733	A *	7/1960	Malia	D15/85
D190,453	S *	5/1961	Munz et al.	D15/86
3,086,830	A *	4/1963	Malia	D15/85
D325,918	S *	5/1992	Lloyd	D15/81
D440,987	S *	4/2001	Okamoto et al.	D15/81
D629,021	S *	12/2010	Cho et al.	D15/85
D640,294	S *	6/2011	Kwon et al.	D15/85
D642,600	S *	8/2011	Kristiansen et al.	D15/86

* cited by examiner

Primary Examiner — Mitchell Siegel

(74) *Attorney, Agent, or Firm* — Birch, Stewart, Kolasch & Birch, LLP

(57) **CLAIM**

The ornamental design for a door for refrigerator, as shown and described.

DESCRIPTION

FIG. 1 is a top, front, perspective view of a door for refrigerator showing our new design;
 FIG. 2 is a front view thereof;
 FIG. 3 is a rear view thereof;
 FIG. 4 is a left side view thereof;
 FIG. 5 is a right side view thereof;
 FIG. 6 is a top view thereof;
 FIG. 7 is a bottom view thereof;
 FIG. 8 is a reference view thereof when a door is installed to a refrigerator.
 FIG. 9 is a top, front, perspective view thereof when the first layer door is open;
 FIG. 10 is a front view thereof when the first layer door is open;
 FIG. 11 is a rear view thereof when the first layer door is open;
 FIG. 12 is a left side view thereof when the first layer door is open;
 FIG. 13 is a right side view thereof when the first layer door is open;
 FIG. 14 is a top view thereof when the first layer door is open;
 FIG. 15 is a bottom view thereof when the first layer door is open;
 FIG. 16 is a reference view thereof when the first layer door is open; and,
 FIG. 17 is a reference view thereof when the first and second layer doors are open.
 The broken line showing is included for the purpose of illustrating and forms no part of the claimed design.

1 Claim, 15 Drawing Sheets

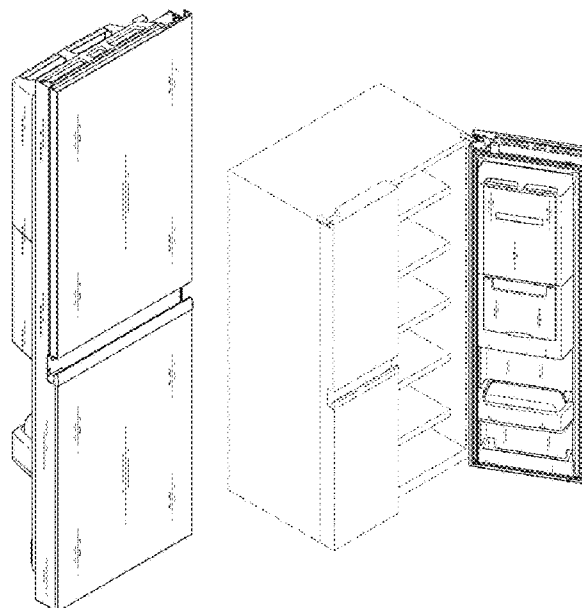


FIG. 1

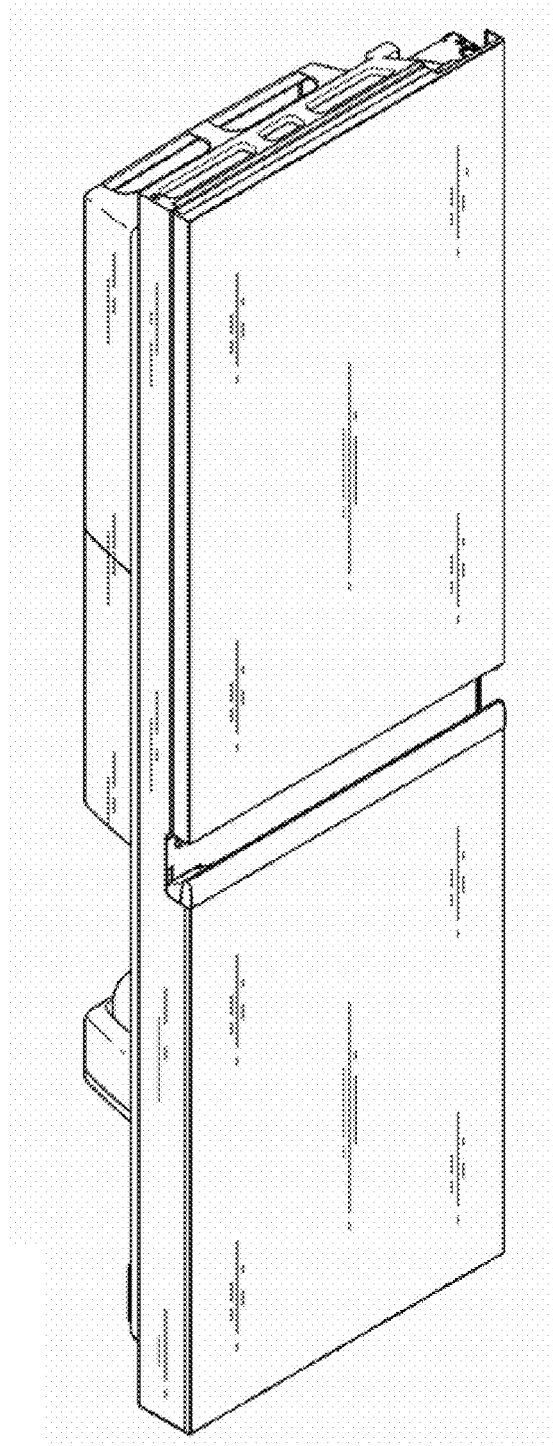


FIG. 2

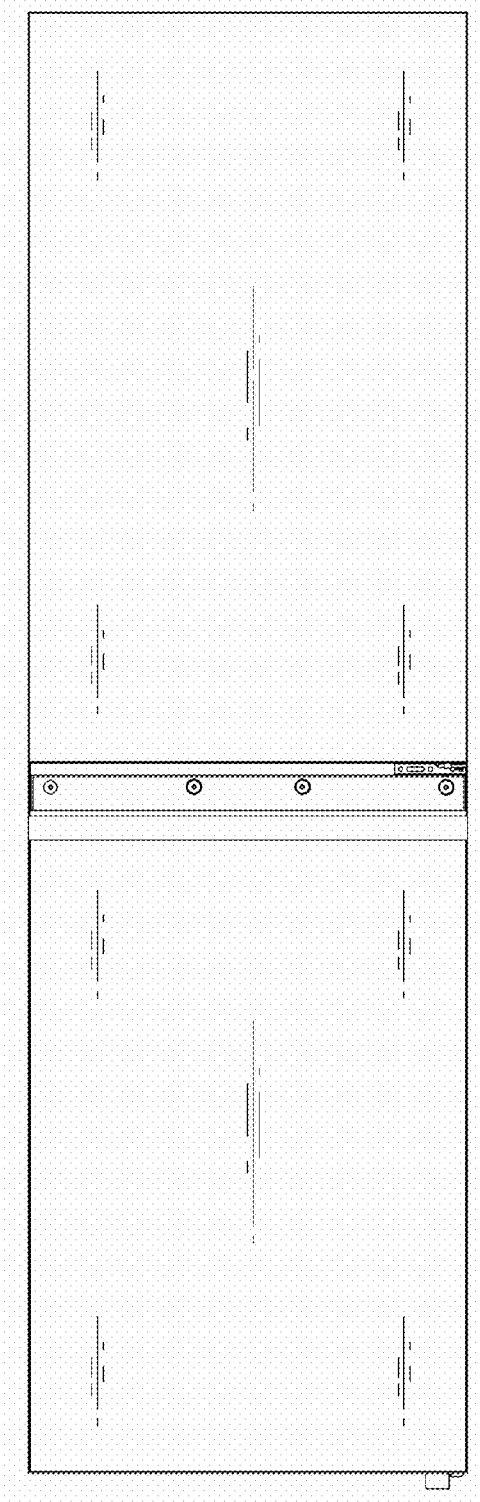


FIG. 3

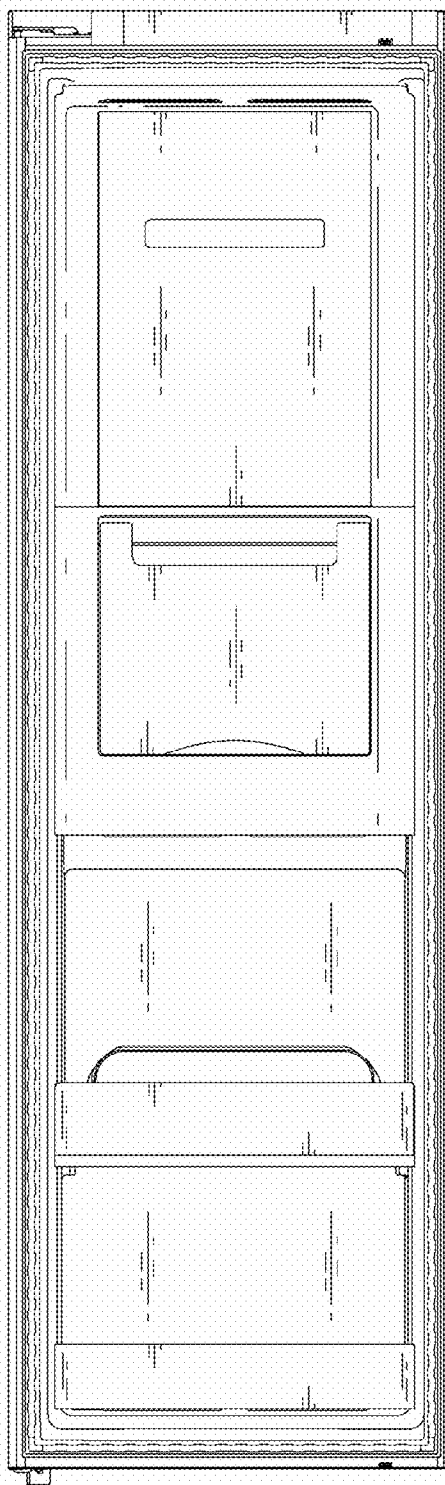


FIG. 4

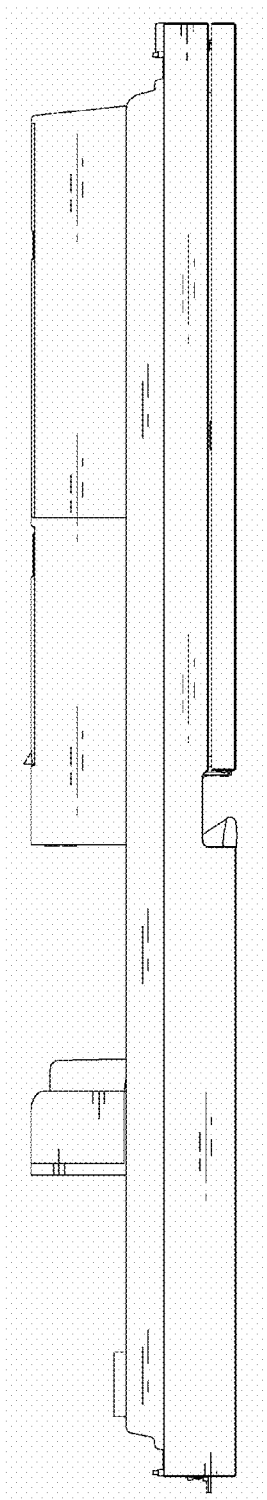


FIG. 5

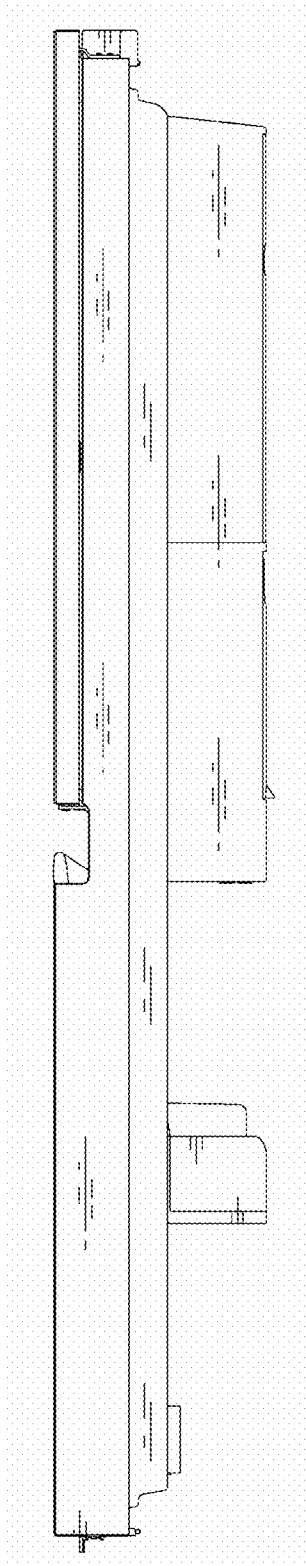


FIG. 6

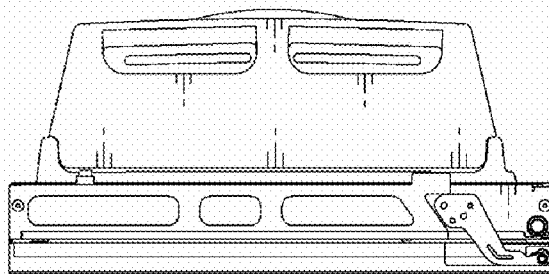


FIG. 7

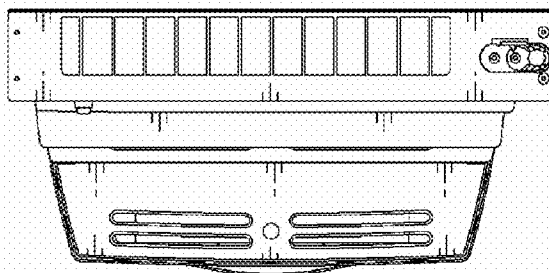


FIG. 8

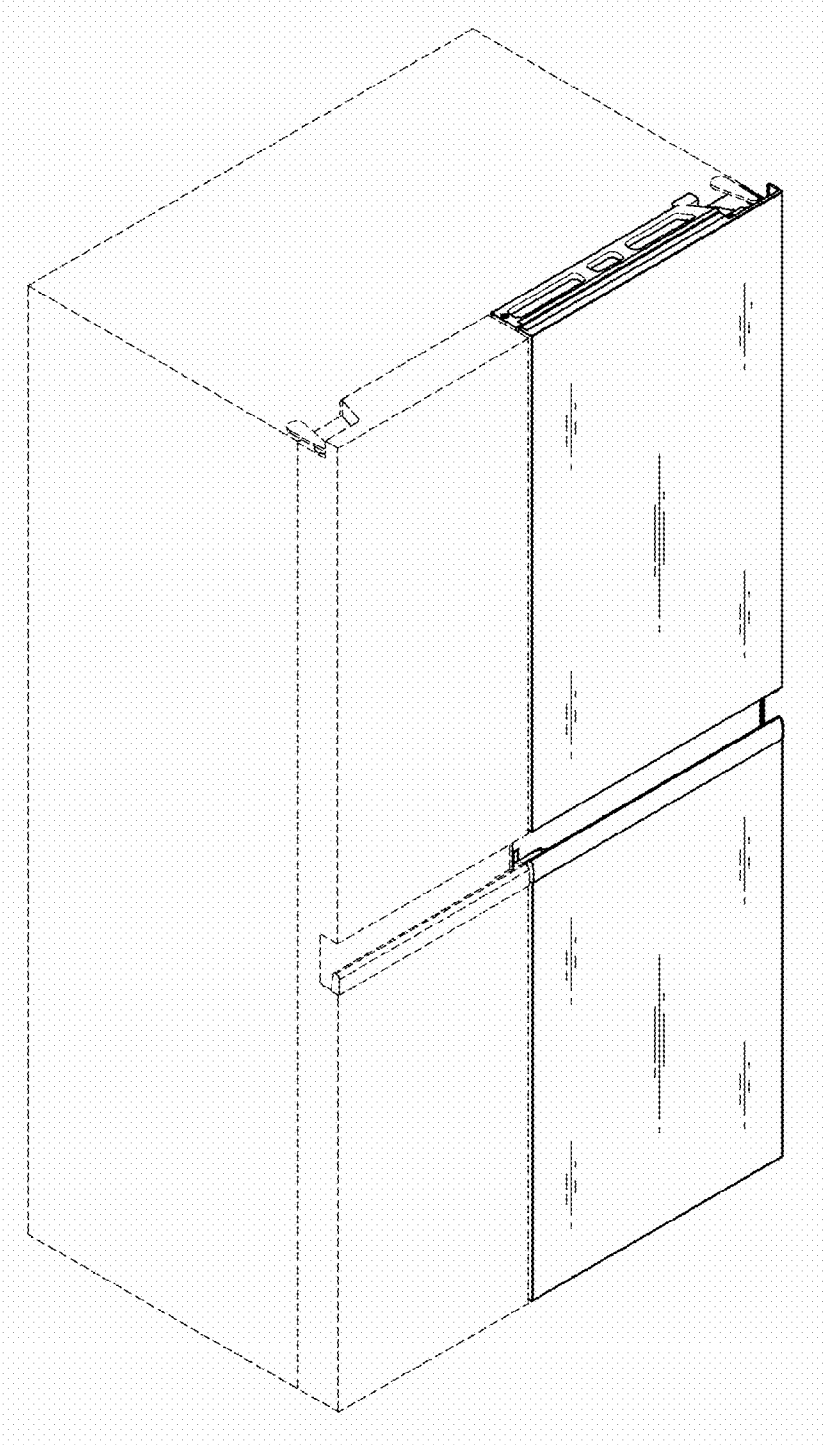


FIG. 9

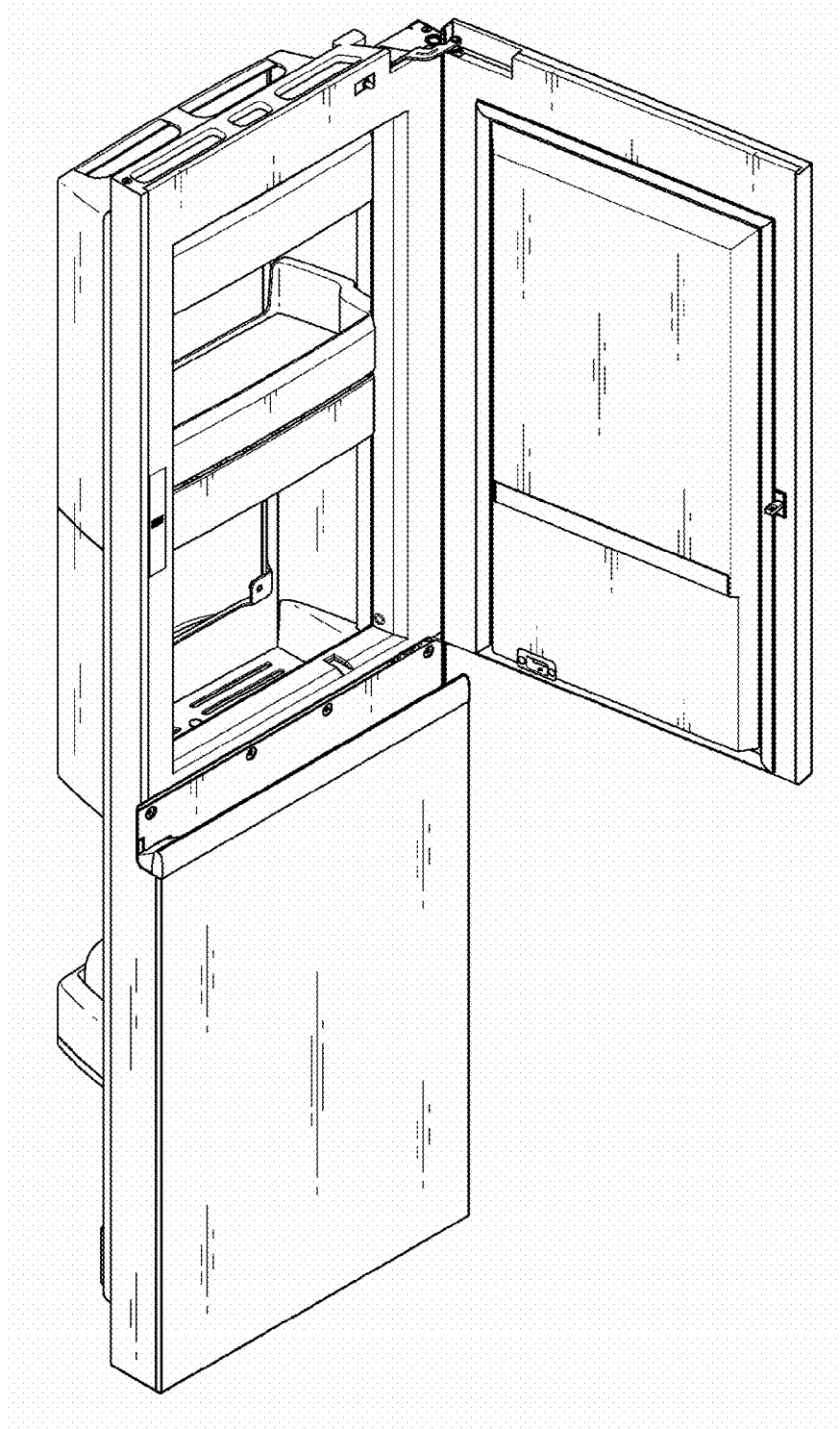


FIG. 10

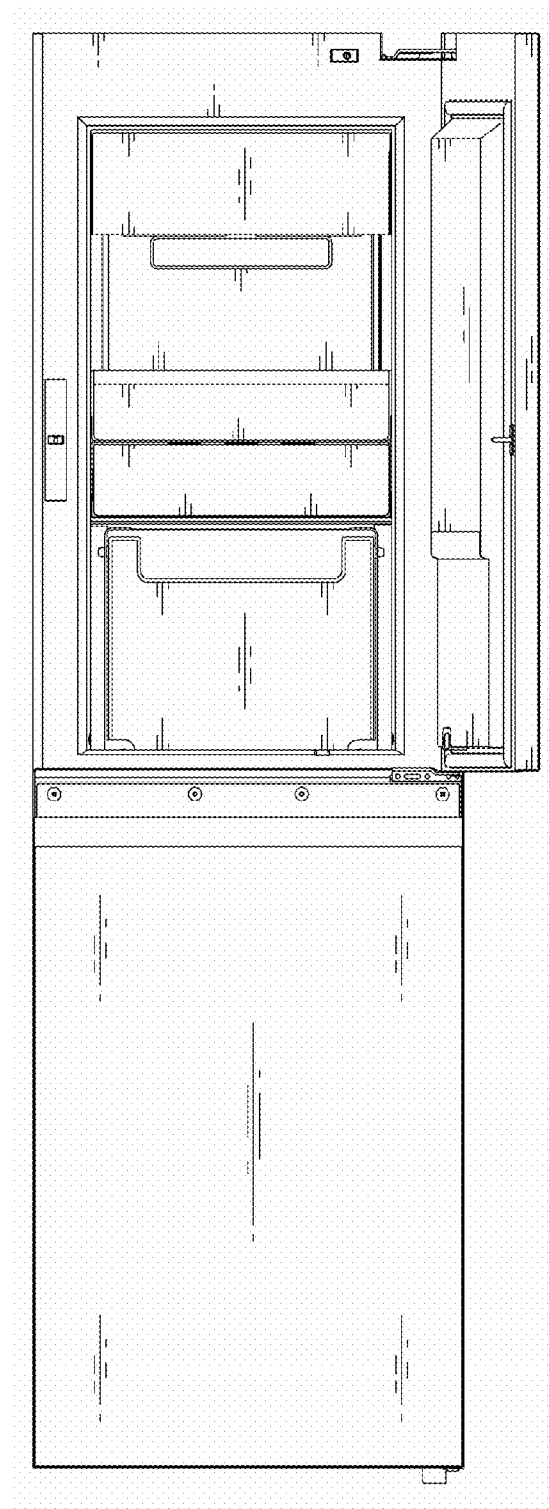


FIG. 11

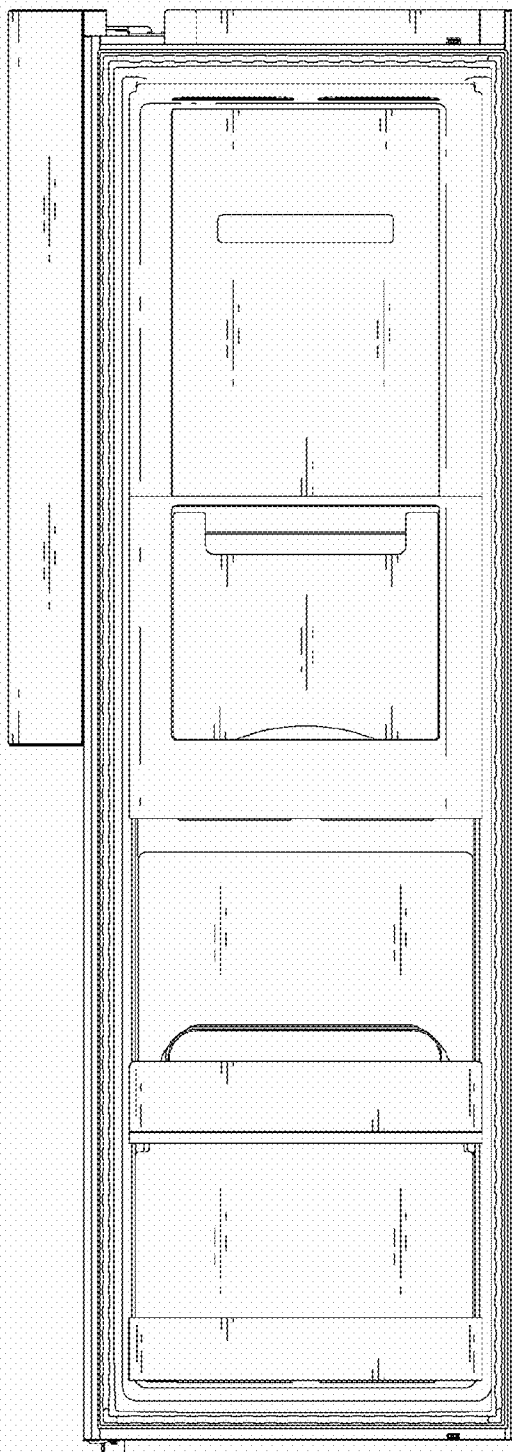


FIG. 12

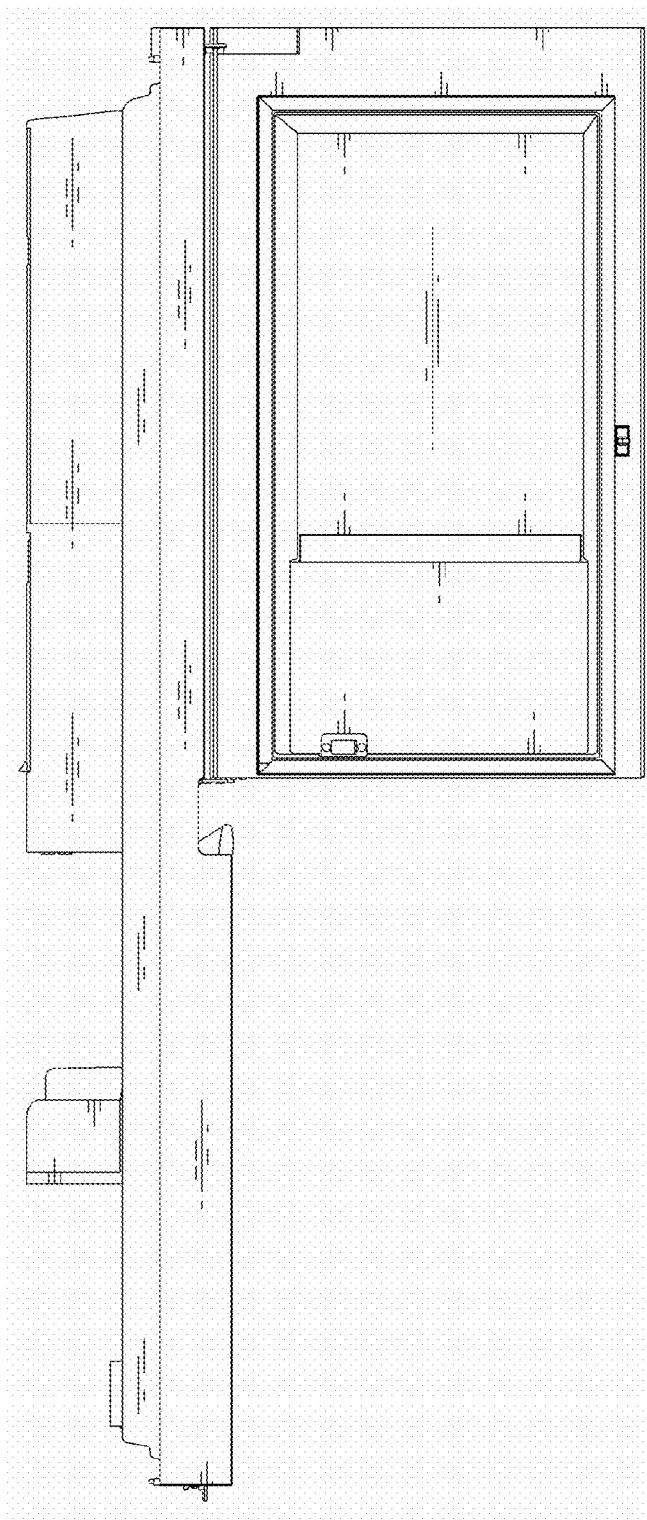


FIG. 13

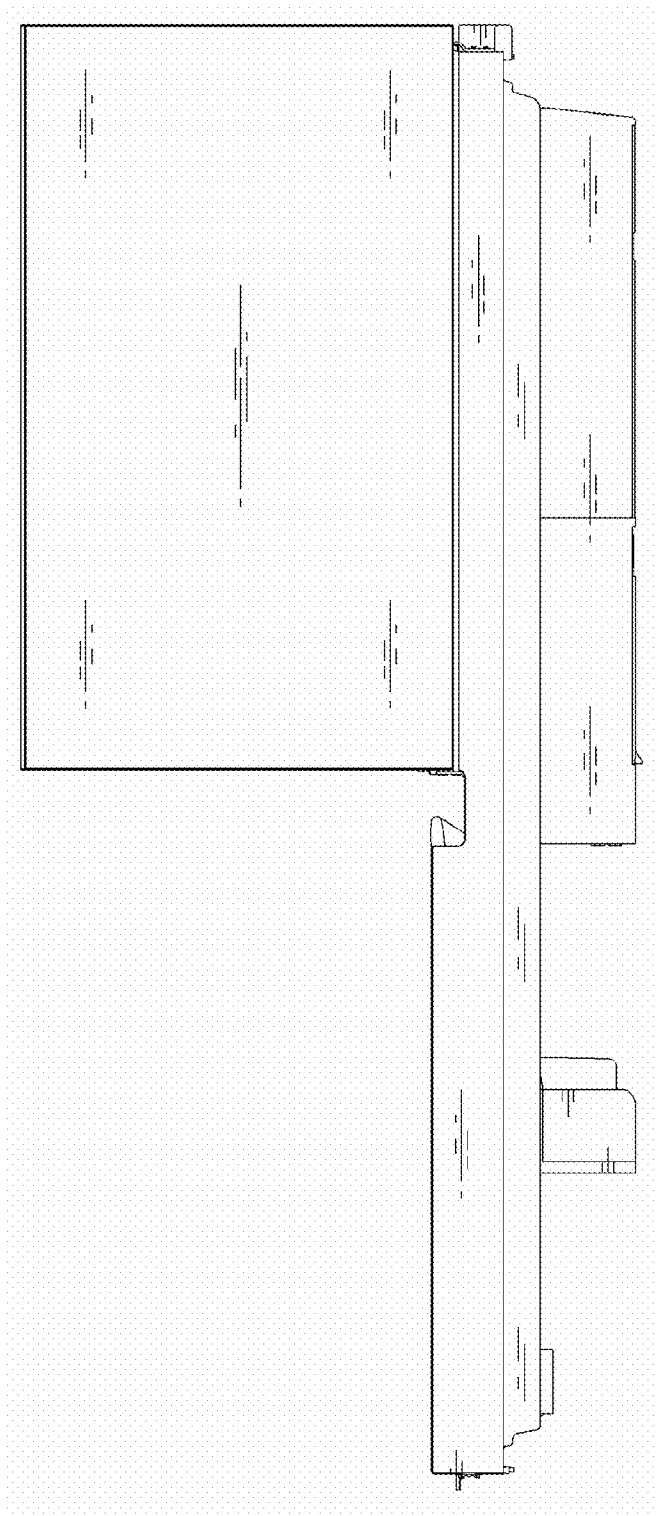


FIG. 14

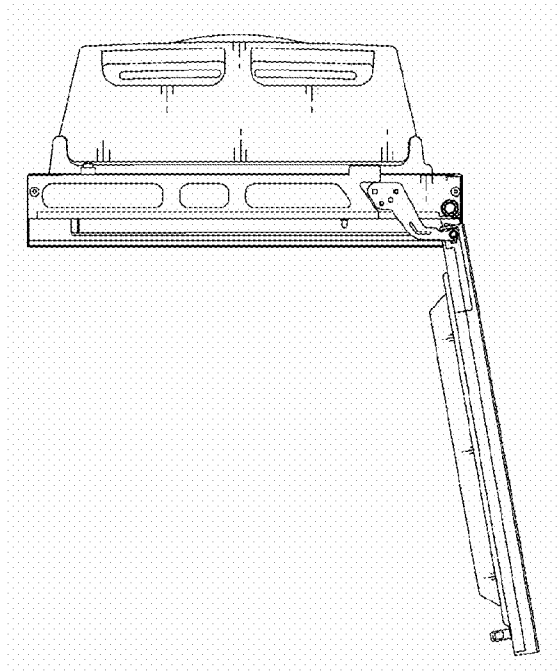


FIG. 15

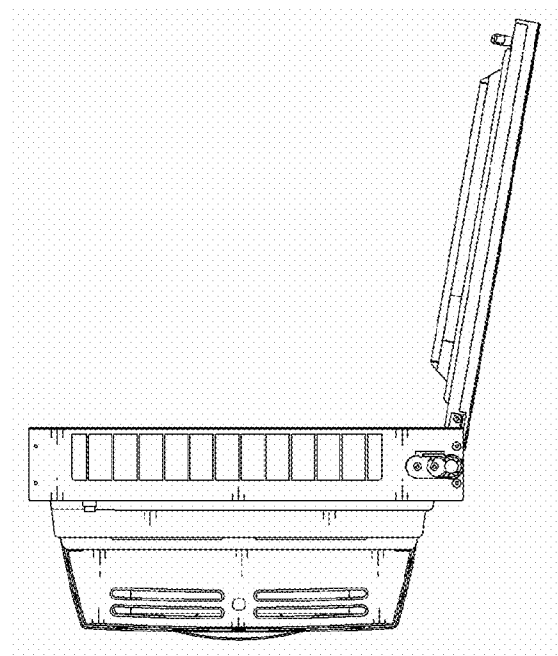


FIG. 16

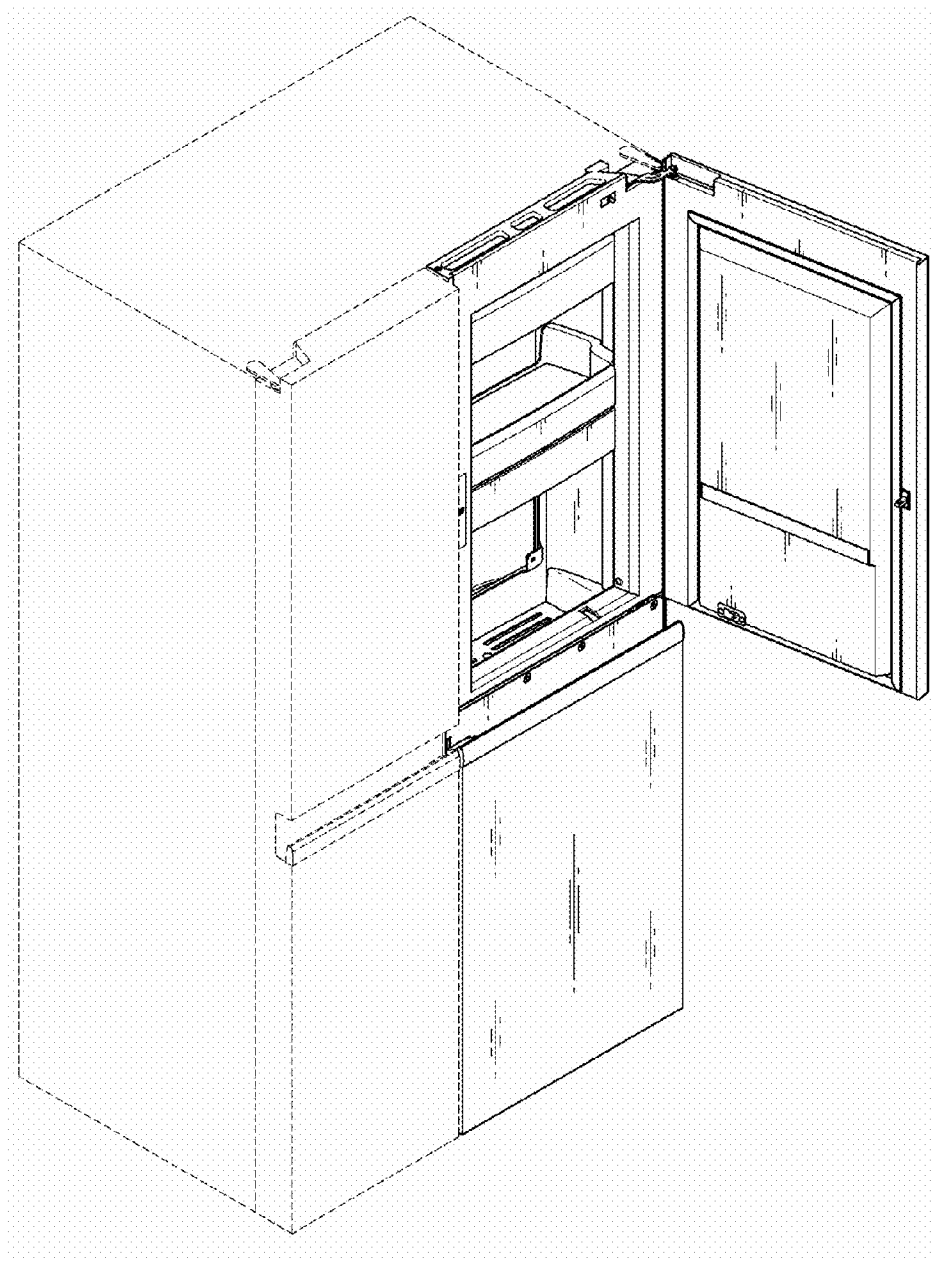


FIG. 17

