



US00D887482S

(12) **United States Design Patent**
Kim et al.

(10) **Patent No.:** **US D887,482 S**

(45) **Date of Patent:** **** Jun. 16, 2020**

- (54) **GIMBAL**
- (71) Applicant: **SZ DJI Osmo Technology Co., Ltd.**,
Shenzhen (CN)
- (72) Inventors: **Min Kim**, Shenzhen (CN); **Jaewan Jeong**, Shenzhen (CN)
- (73) Assignee: **SZ DJI Osmo Technology Co., Ltd.**,
Shenzhen (CN)
- (**) Term: **15 Years**
- (21) Appl. No.: **29/657,630**
- (22) Filed: **Jul. 24, 2018**

9,196,274 B2	11/2015	Stephan et al.	
D744,580 S *	12/2015	Firchau	D16/242
D759,335 S	6/2016	Kim et al.	
D785,893 S	5/2017	Kim et al.	
D794,109 S	8/2017	Zheng et al.	
D808,458 S	1/2018	Kim et al.	
9,900,511 B2 *	2/2018	Bell	H04N 5/2328
D828,434 S *	9/2018	Kim	D16/242
D832,726 S *	11/2018	Kim	D10/103
D857,539 S *	8/2019	Kim	D10/103
D858,335 S *	9/2019	Kim	D10/103
2017/0108761 A1 *	4/2017	Pan	F16M 11/02
2017/0227834 A1 *	8/2017	Zhao	F16M 11/045
2019/0064637 A1 *	2/2019	Wang	F16M 13/04
2019/0302578 A1 *	10/2019	Zhao	F16M 11/10
2019/0317385 A1 *	10/2019	Zhao	F16M 13/00

* cited by examiner

Related U.S. Application Data

- (63) Continuation of application No. 29/589,108, filed on Dec. 28, 2016, now Pat. No. Des. 828,434.
- (51) **LOC (12) Cl.** **16-05**
- (52) **U.S. Cl.**
USPC **D16/242**
- (58) **Field of Classification Search**
USPC D34/28; D16/242, 237, 239, 244, 245,
D16/250; D14/217, 238.1, 239, 254
CPC G11B 5/4826; F16M 13/00; F16M 13/04;
G02B 27/646
See application file for complete search history.

References Cited

U.S. PATENT DOCUMENTS

5,632,475 A	5/1997	McCanse
6,116,577 A	9/2000	McCanse
8,094,414 B1	1/2012	Cheng et al.
D723,090 S	2/2015	Firchau et al.
D732,103 S	6/2015	Roper et al.

Primary Examiner — Cynthia Ramirez

(74) *Attorney, Agent, or Firm* — Sterne, Kessler, Goldstein & Fox P.L.L.C.

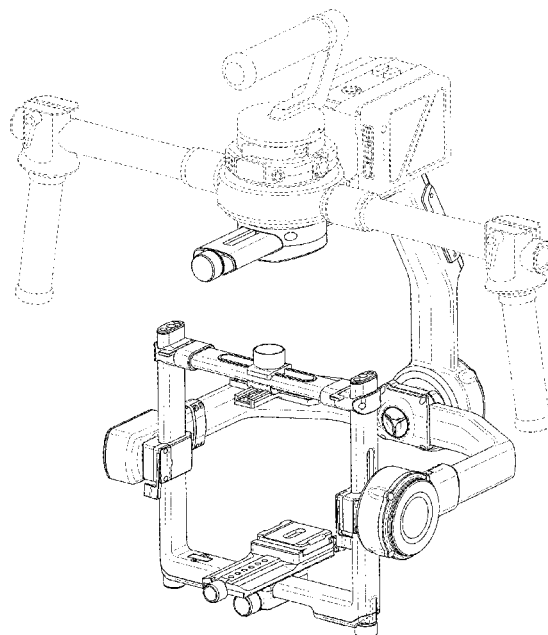
(57) **CLAIM**

The ornamental design for a gimbal, as shown and described.

DESCRIPTION

FIG. 1 is a top front perspective view of a gimbal showing the claimed design;
 FIG. 2 is a top rear perspective view thereof;
 FIG. 3 is a front view thereof;
 FIG. 4 is a rear view thereof;
 FIG. 5 is a left side view thereof;
 FIG. 6 is a right side view thereof;
 FIG. 7 is a top view thereof; and,
 FIG. 8 is a bottom view thereof.
 The broken lines in the figures show portions of the gimbal that form no part of the claimed design.

1 Claim, 8 Drawing Sheets



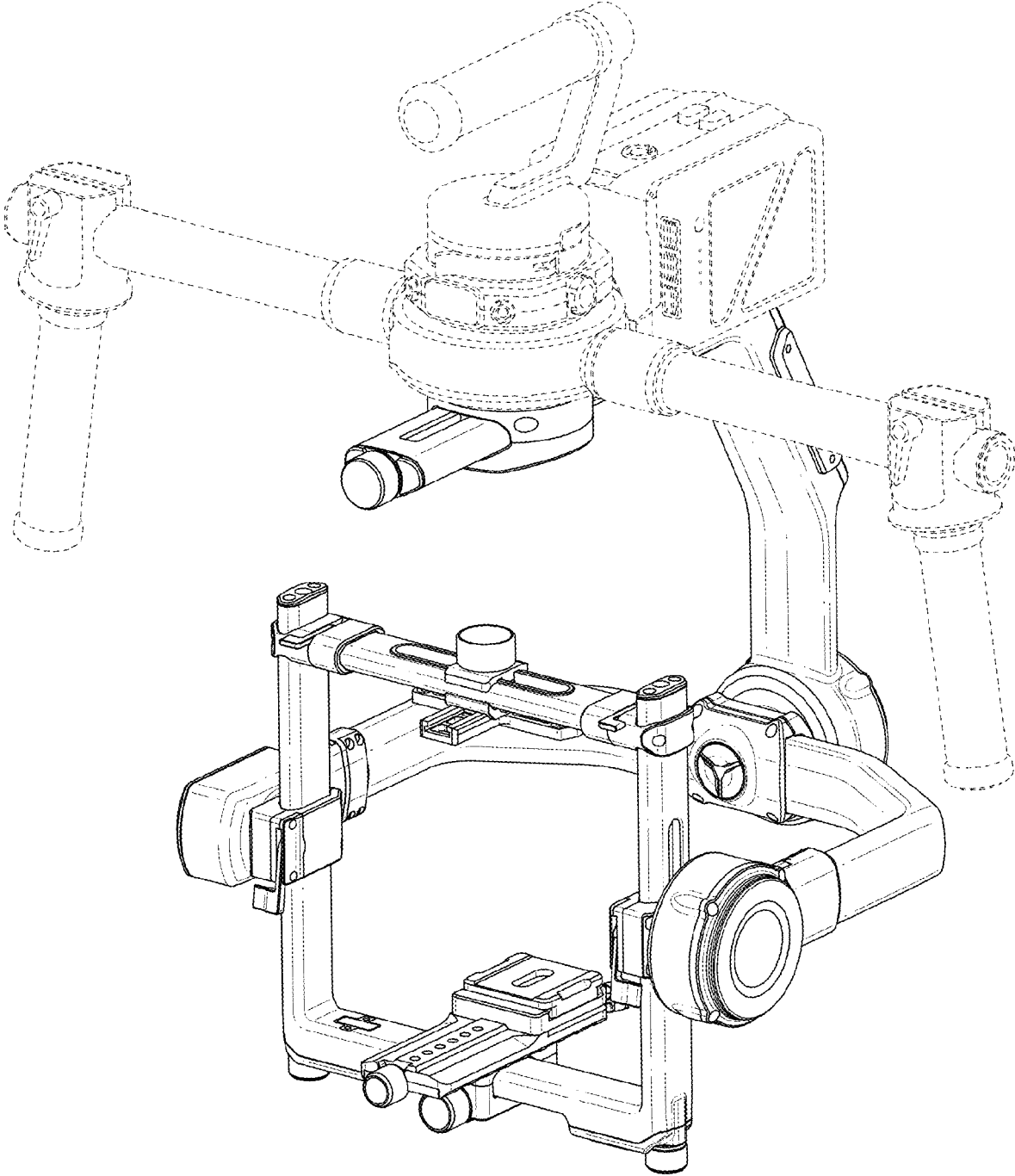


FIG. 1

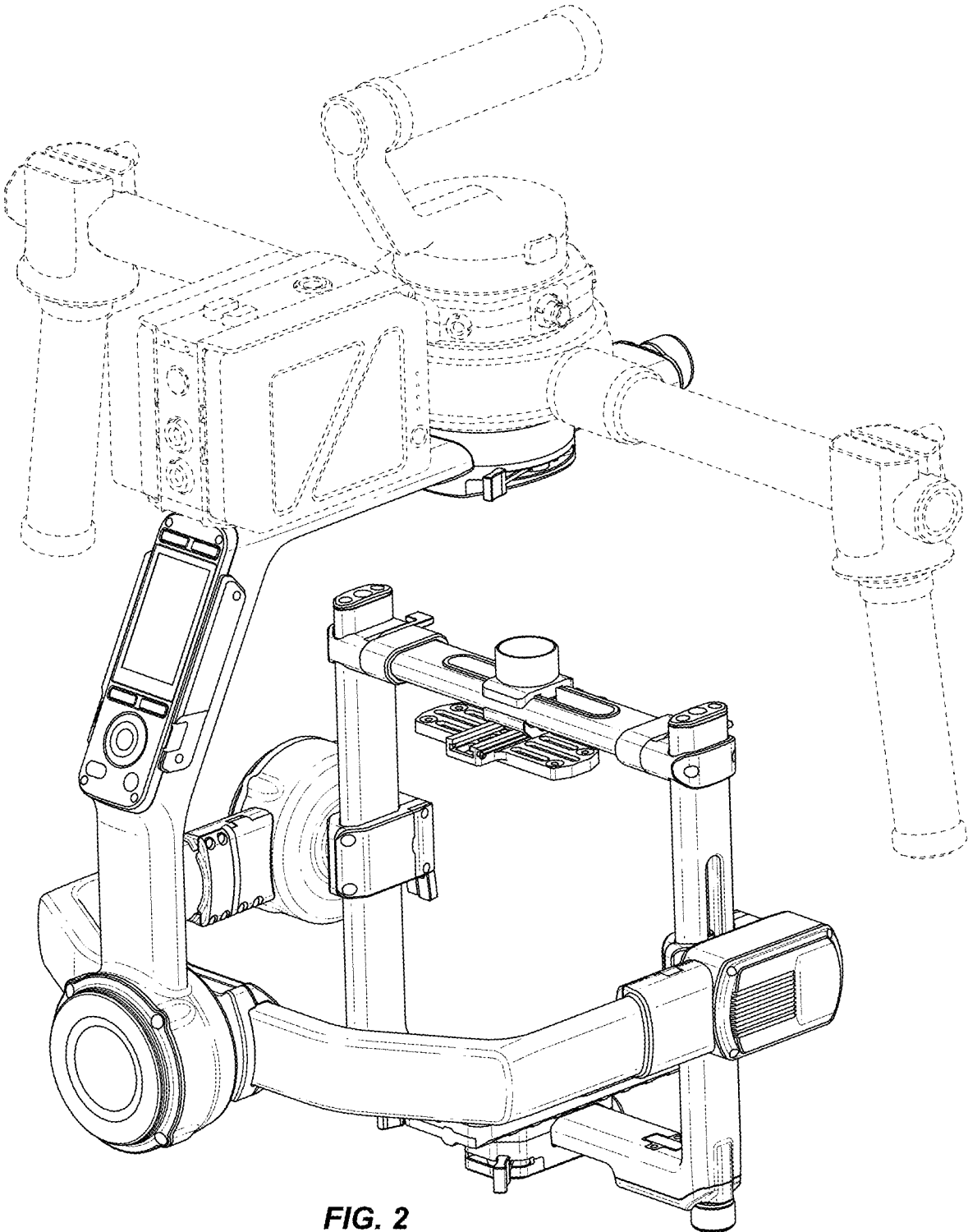


FIG. 2

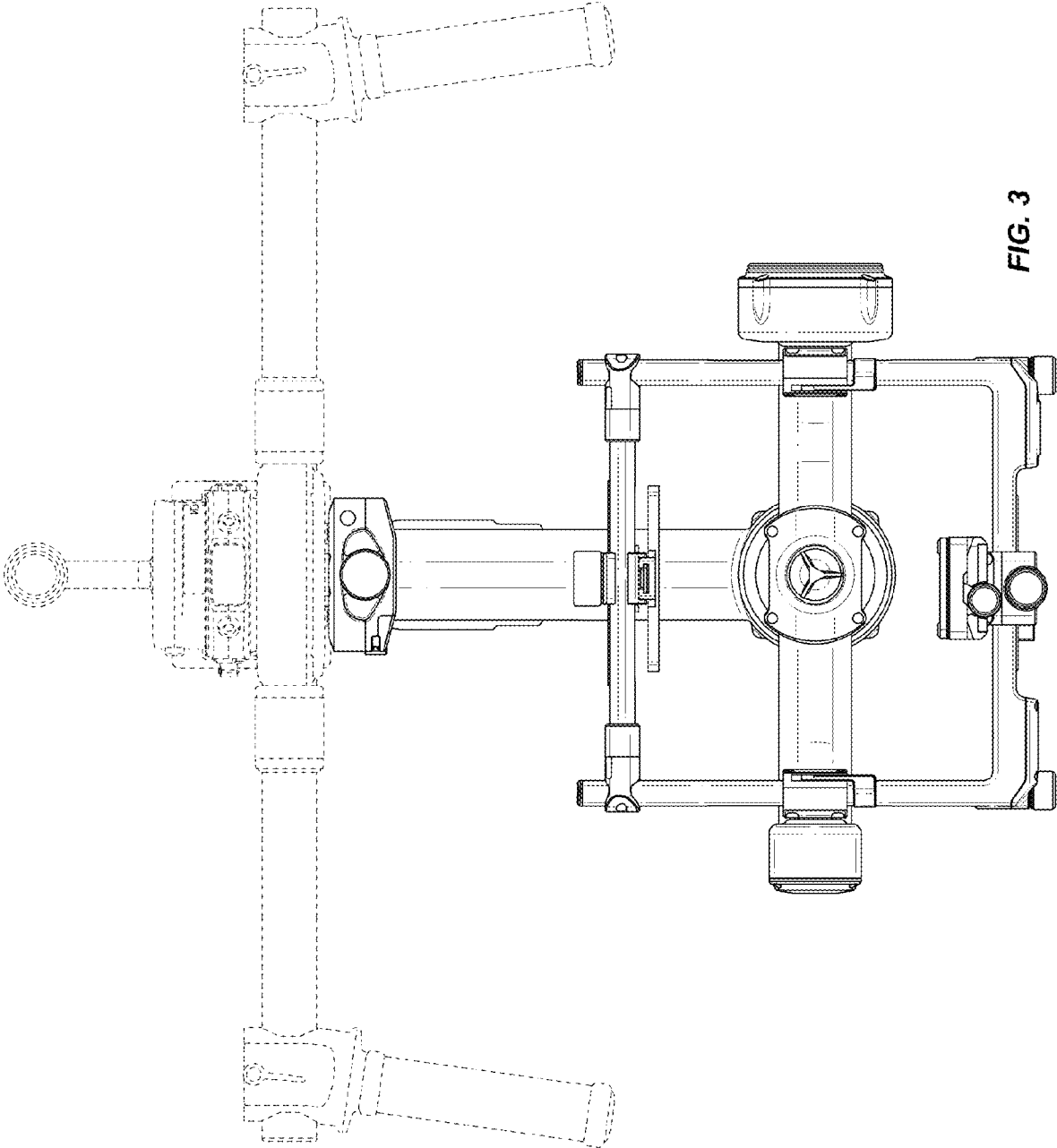


FIG. 3

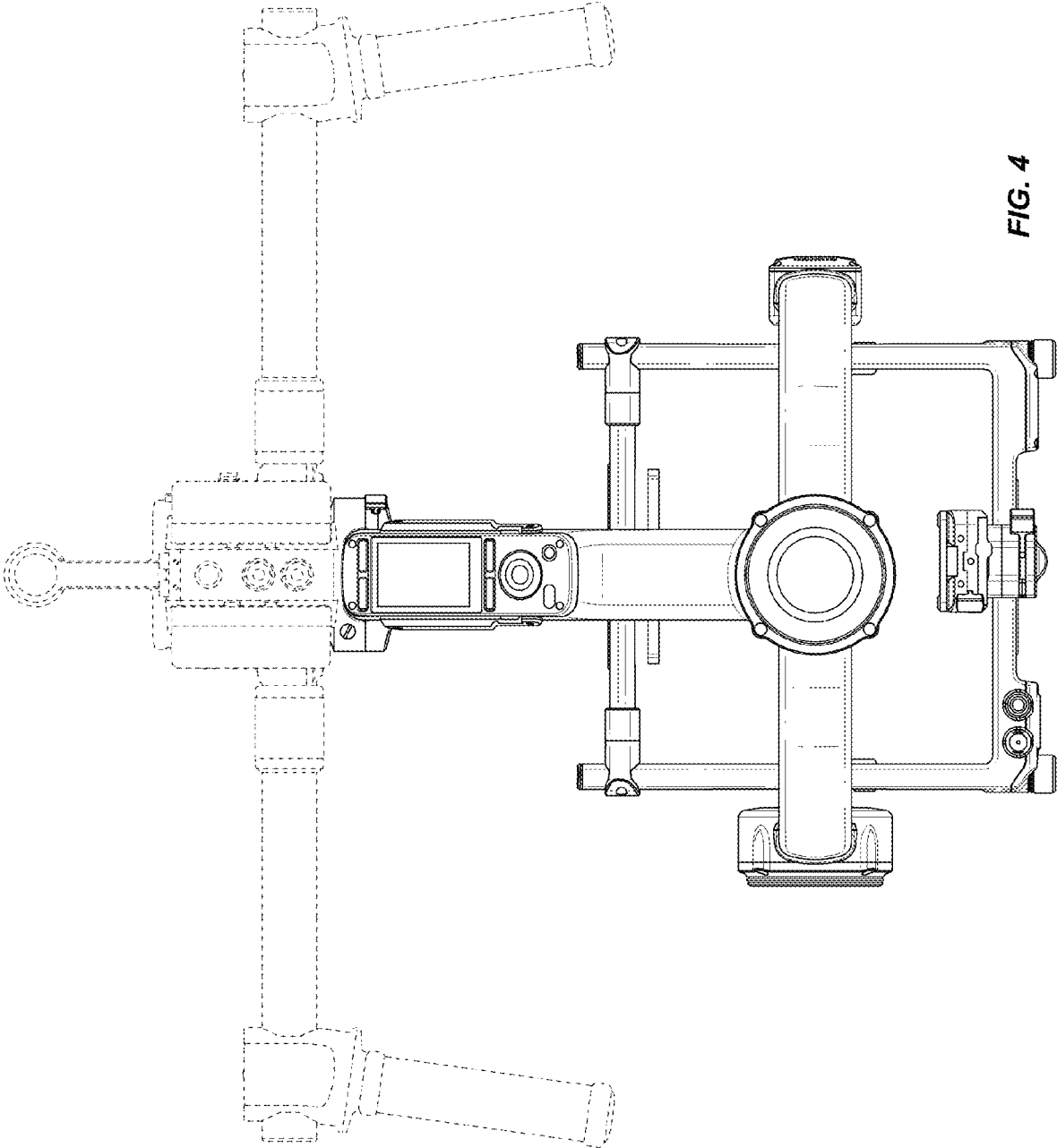


FIG. 4

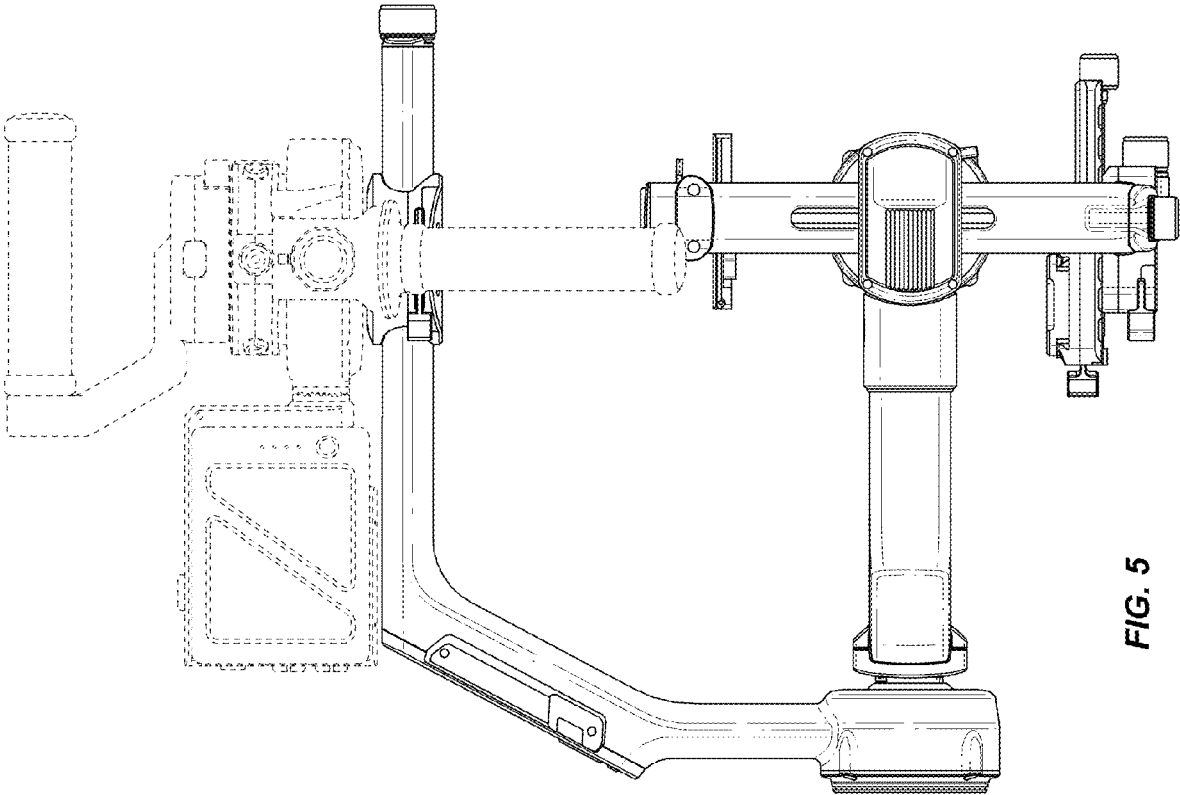


FIG. 5

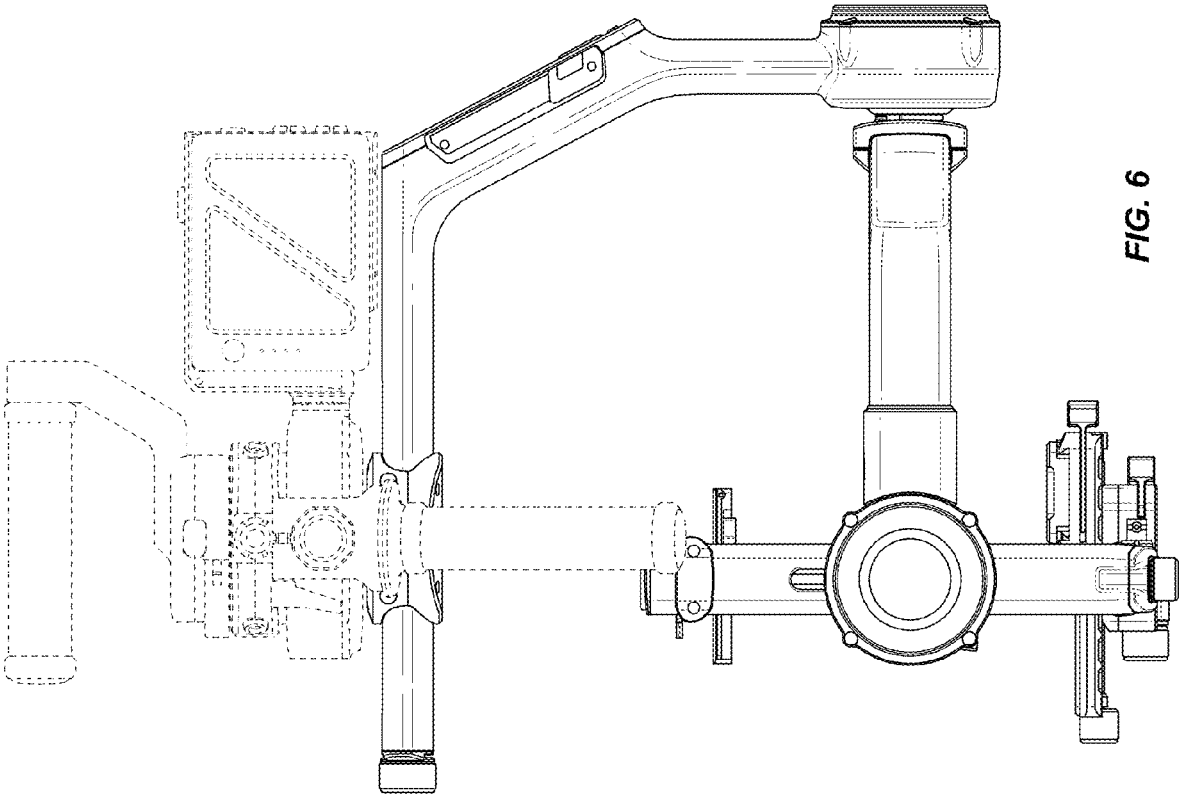


FIG. 6

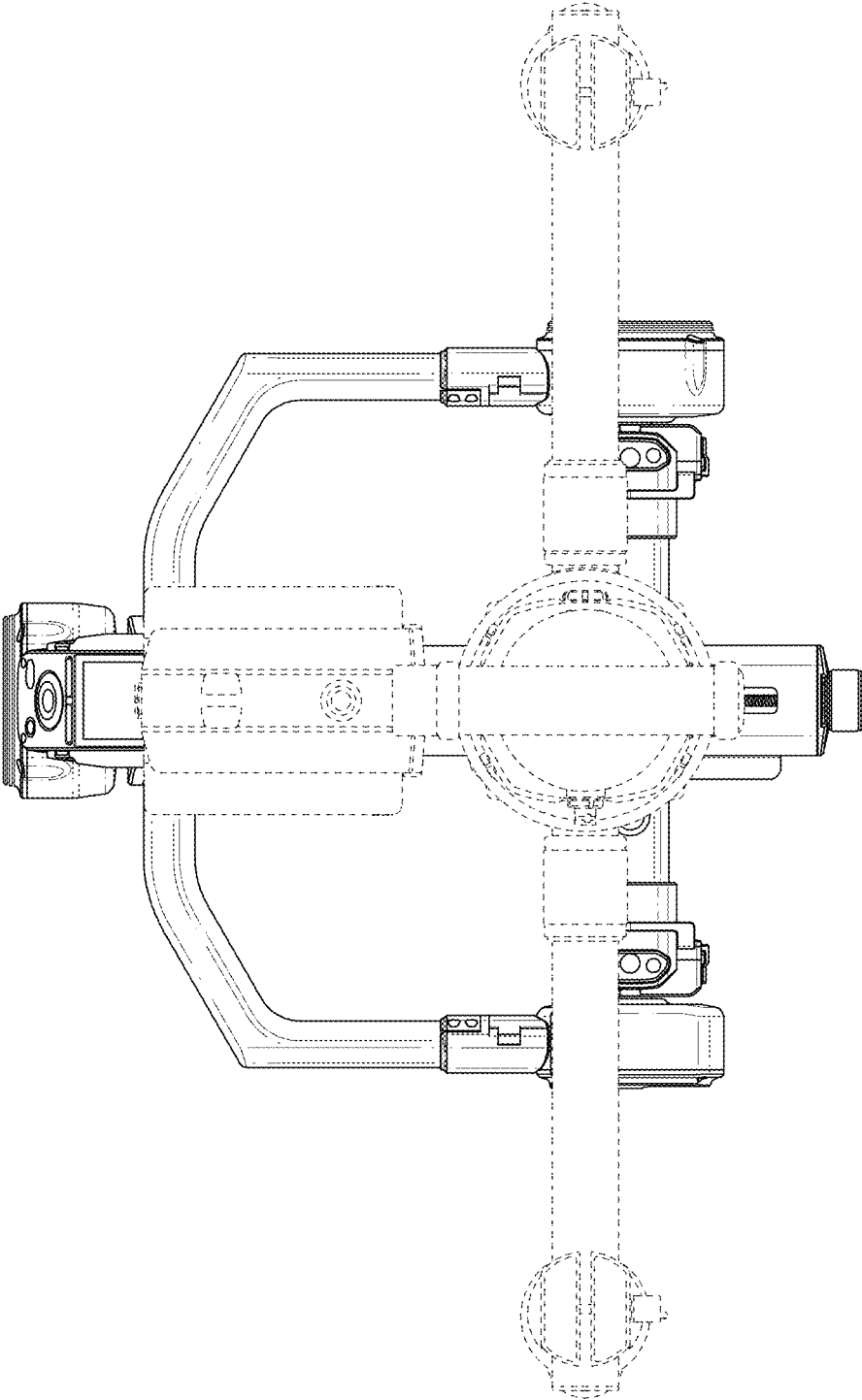


FIG. 7

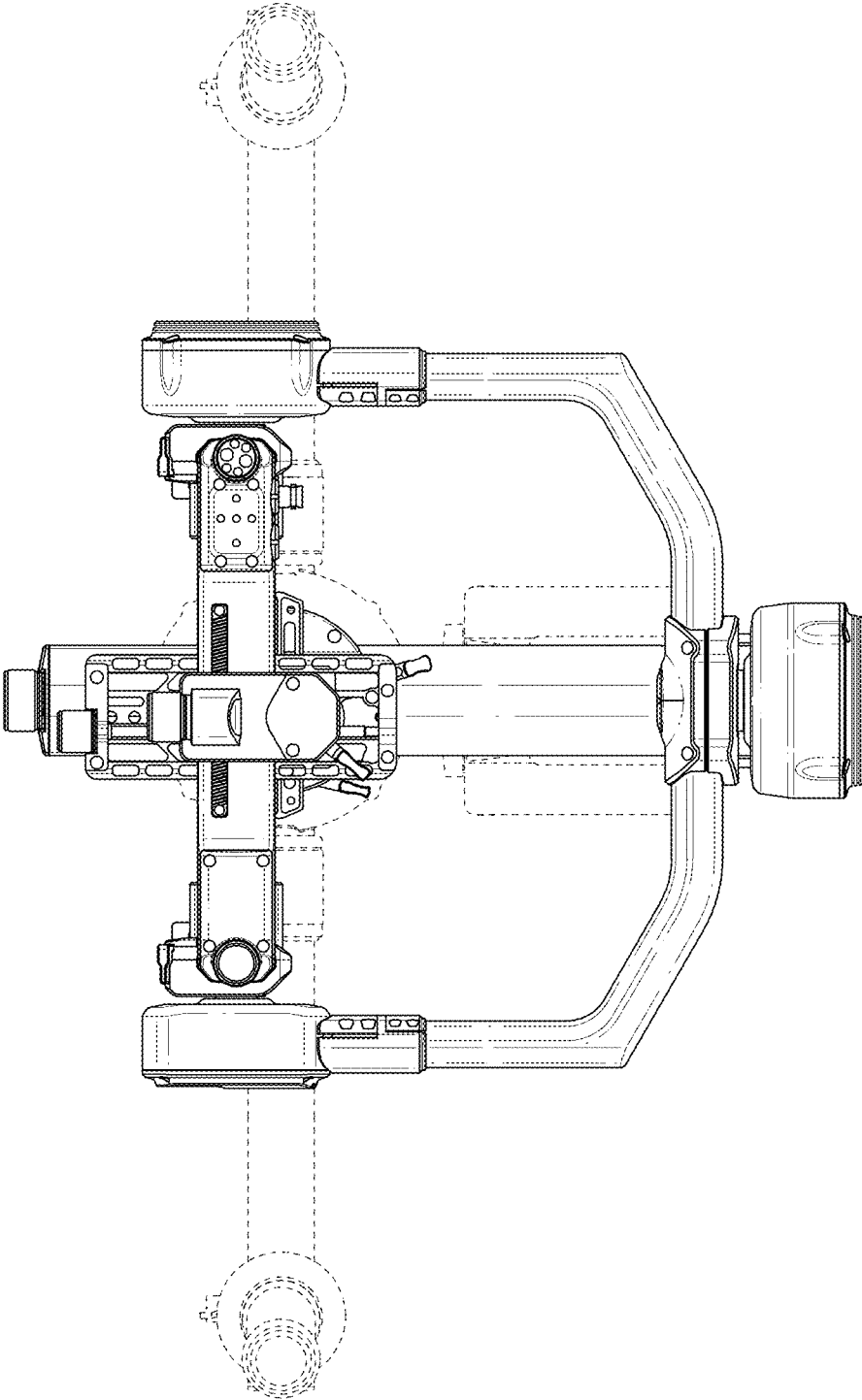


FIG. 8