



US00D836914S

(12) **United States Design Patent**
Reinhart

(10) **Patent No.:** **US D836,914 S**

(45) **Date of Patent:** **** Jan. 1, 2019**

(54) **STACKABLE LID**

(71) Applicant: **Creative Plastic Concepts, LLC**,
Sycamore, OH (US)

(72) Inventor: **Nickolas Reinhart**, Findlay, OH (US)

(73) Assignee: **Creative Plastic Concepts, LLC**,
Sycamore, OH (US)

(**) Term: **15 Years**

(21) Appl. No.: **29/619,121**

(22) Filed: **Sep. 27, 2017**

(51) **LOC (11) Cl.** **03-01**

(52) **U.S. Cl.**
USPC **D3/318**

(58) **Field of Classification Search**
USPC D3/273, 294, 289, 318
CPC B65D 2543/00194; B65D 21/0209; B65D
2543/00296
See application file for complete search history.

(56) **References Cited**

U.S. PATENT DOCUMENTS

D648,538 S *	11/2011	Reinhart	D3/318
D744,239 S *	12/2015	Reinhart	D3/302
D744,240 S	12/2015	Reinhart		
D765,397 S	9/2016	Reinhart		
D765,407 S	9/2016	Reinhart		
D765,408 S	9/2016	Reinhart		
D765,409 S	9/2016	Reinhart		
D765,410 S	9/2016	Reinhart		

D765,411 S	9/2016	Reinhart		
D773,821 S	12/2016	Reinhart		
D776,932 S	1/2017	Reinhart		
D792,105 S *	7/2017	Reinhart	D3/318
2016/0107803 A1	4/2016	Reinhart		
2017/0107015 A1	4/2017	Reinhart		

* cited by examiner

Primary Examiner — Holly H Baynham

(74) *Attorney, Agent, or Firm* — Jacob M. Ward; Ward Law Office LLC

(57) **CLAIM**

The ornamental design for a stackable lid, as shown and described.

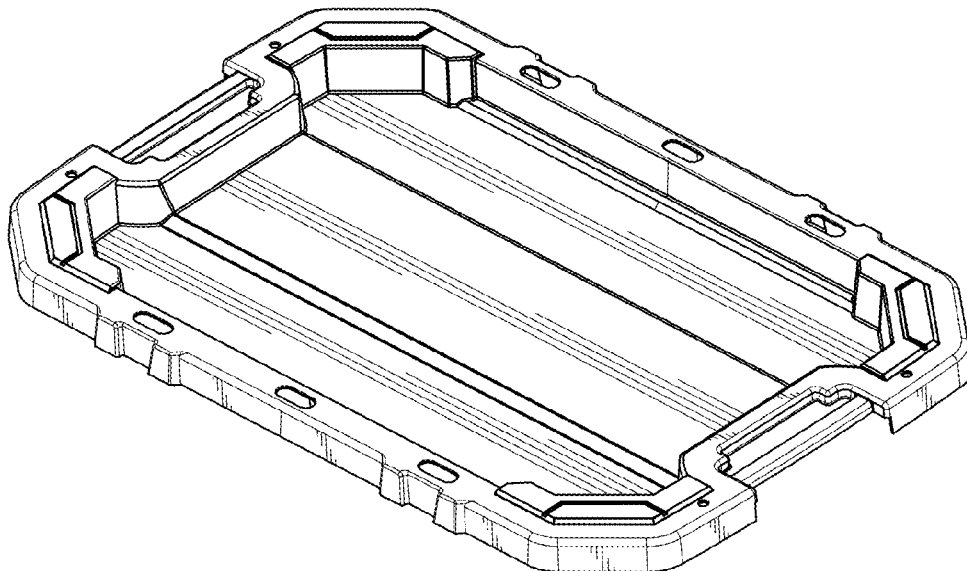
DESCRIPTION

FIG. 1 is a top perspective view of a stackable lid; FIG. 2 is a bottom perspective view thereof; FIG. 3 is a top plan view thereof; FIG. 4 is a bottom plan view thereof; FIG. 5 is a right side elevational view thereof; and, FIG. 6 is a front elevational view thereof.

A left side elevational view is not shown because it is identical to the right side elevational view shown in FIG. 5. A rear elevational view is not shown because it is identical to the front elevational view shown in FIG. 6.

The ornamental design which is claimed is shown in solid lines in the drawings.

1 Claim, 3 Drawing Sheets



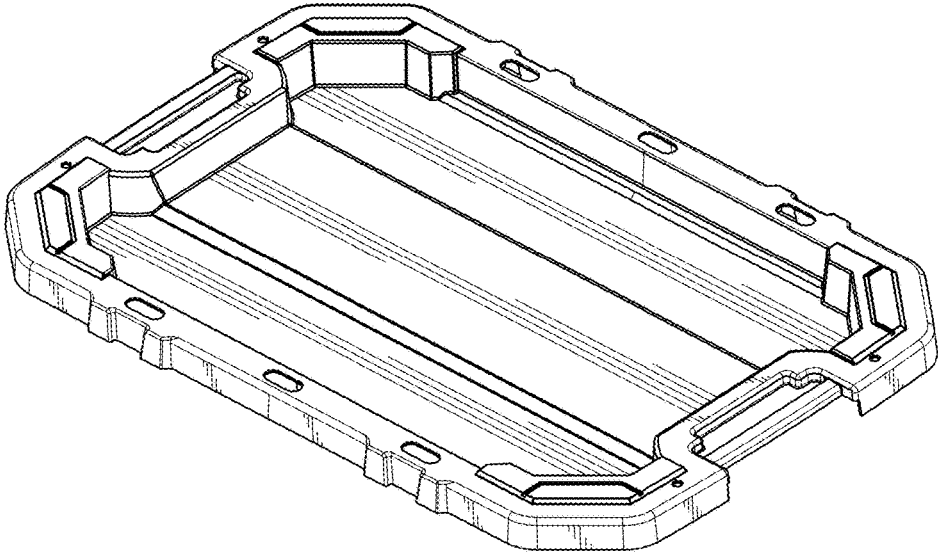


FIG. 1

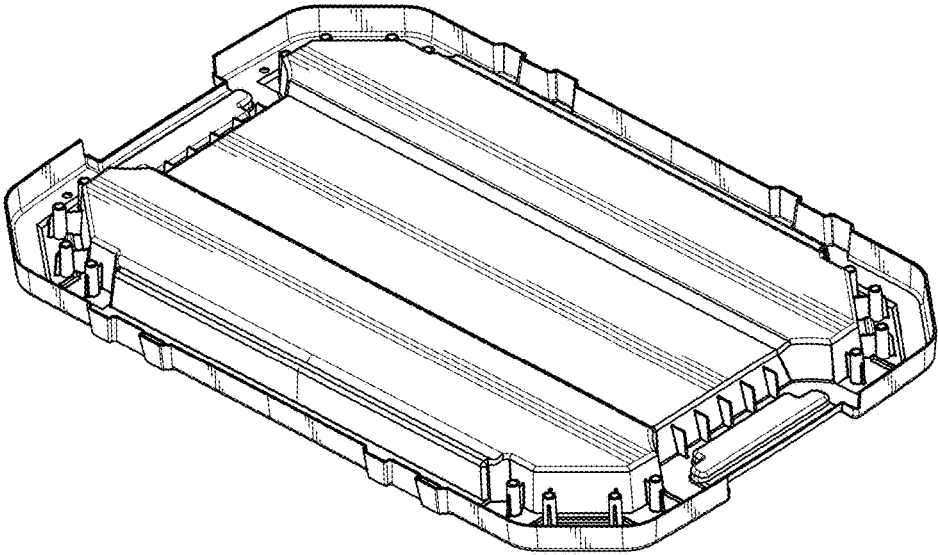


FIG. 2

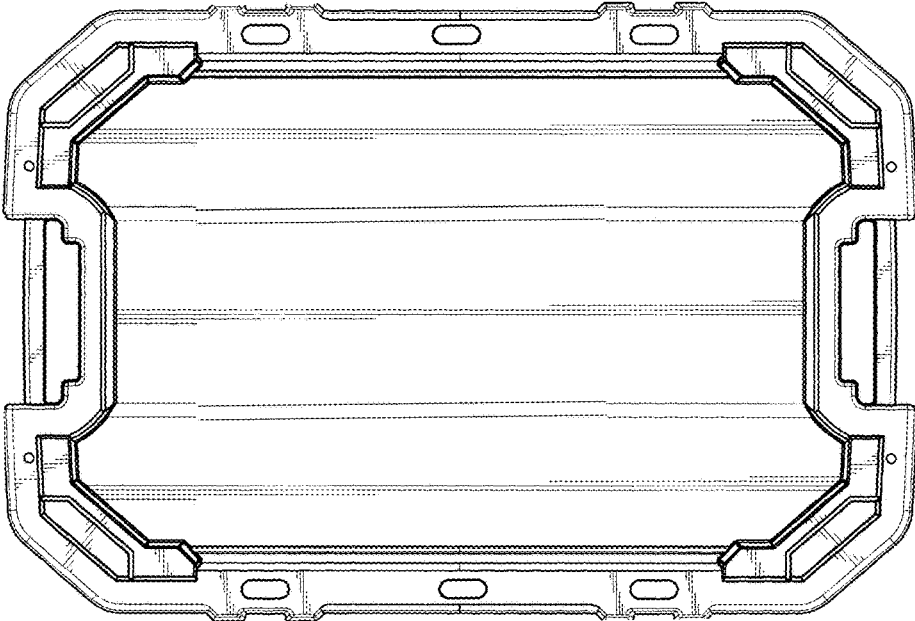


FIG. 3

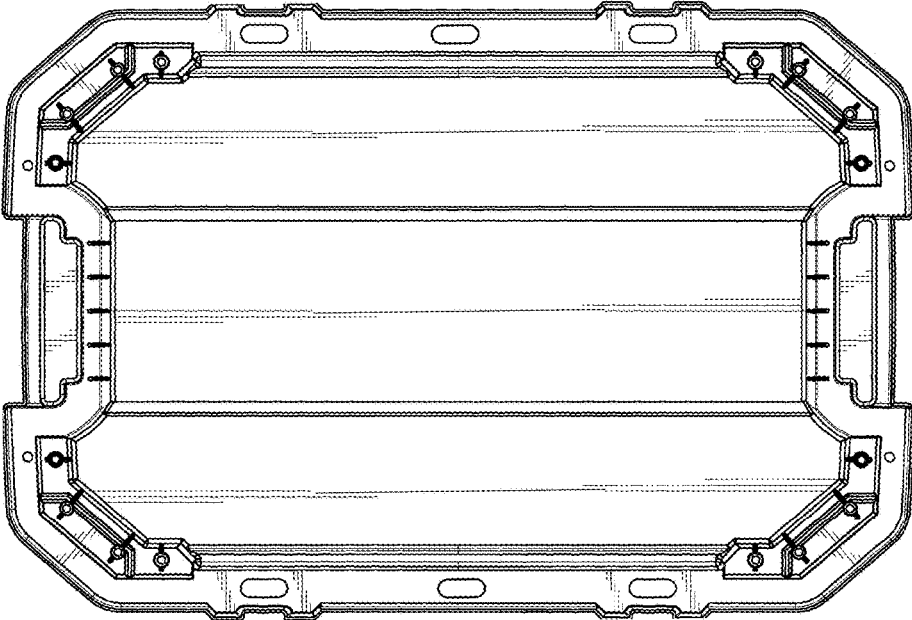


FIG. 4

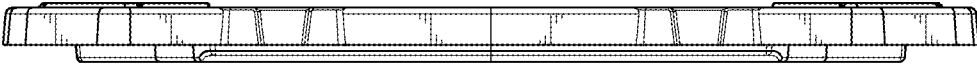


FIG. 5

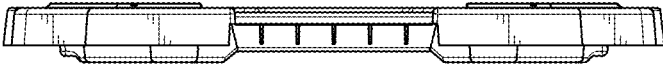


FIG. 6