

(19) World Intellectual Property
Organization
International Bureau



(43) International Publication Date
22 July 2004 (22.07.2004)

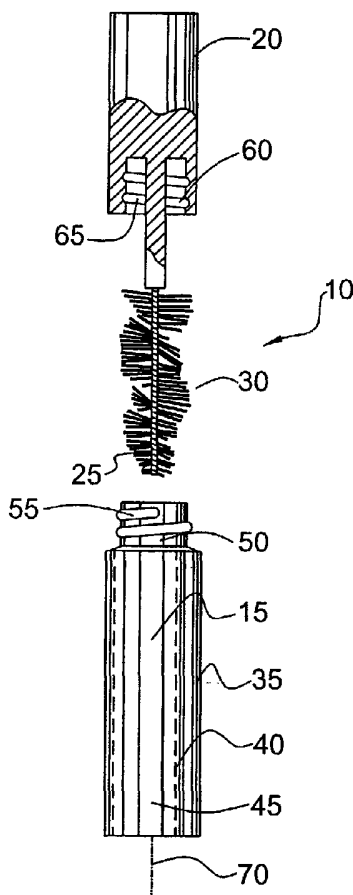
PCT

(10) International Publication Number
WO 2004/060102 A3

- (51) International Patent Classification⁷: **A45D 40/26**, A46B 11/00
- (21) International Application Number: PCT/US2003/033824
- (22) International Filing Date: 23 October 2003 (23.10.2003)
- (25) Filing Language: English
- (26) Publication Language: English
- (30) Priority Data: 10/320,335 16 December 2002 (16.12.2002) US
- (71) Applicant (for all designated States except US): **AVON PRODUCTS, INC.** [US/US]; 1251 Avenue of Americas, New York, NY 10020-1196 (US).
- (72) Inventor; and
- (75) Inventor/Applicant (for US only): **KUREK, John** [US/US]; 287 Reservoir Road, Goshen, NY 10924 (US).
- (74) Agent: **RUGGIERO, Charles, N., J.**; Ohlandt, Greeley, Ruggiero & Perle, LLP, One Landmark Square, 10th Floor, Stamford, CT 06901-2682 (US).
- (81) Designated States (national): AE, AG, AL, AM, AT, AU, AZ, BA, BB, BG, BR, BY, BZ, CA, CH, CN, CR, CU, CZ, DE, DK, DM, DZ, EE, ES, FI, GB, GD, GE, GH, GM, HR, HU, ID, IL, IN, IS, JP, KE, KG, KP, KR, KZ, LC, LK, LR, LS, LT, LU, LV, MA, MD, MG, MK, MN, MW, MX, MZ, NO, NZ, PL, PT, RO, RU, SD, SE, SG, SK, SL, TJ, TM, TR, TT, TZ, UA, UG, US, UZ, VN, YU, ZA, ZW.
- (84) Designated States (regional): ARIPO patent (GH, GM, KE, LS, MW, MZ, SD, SL, SZ, TZ, UG, ZM, ZW), Eurasian patent (AM, AZ, BY, KG, KZ, MD, RU, TJ, TM), European patent (AT, BE, BG, CH, CY, CZ, DE, DK, EE, ES, FI, FR, GB, GR, HU, IE, IT, LU, MC, NL, PT, RO, SE, SI, SK, TR), OAPI patent (BF, BJ, CF, CG, CI, CM, GA, GN, GQ, GW, ML, MR, NE, SN, TD, TG).

[Continued on next page]

(54) Title: APPLICATOR BRUSH WITH EMPROVED BRISTLES



(57) Abstract: An applicator brush, preferably a mascara applicator brush (10), having enhanced bristle fibers is provided. The applicator brush has a brush core (25), and a number of bristle fibers (30) preferably extending radially from the brush core. The bristles are made of two or more materials that are preferably coextruded together. The bristle fibers achieve performance characteristics such as antibacterial qualities, enhanced bristle surface structure, combing and loading characteristics. In this manner, enhanced application characteristics are achieved for the benefit of the user.

WO 2004/060102 A3



Published:

- *with international search report*
- *before the expiration of the time limit for amending the claims and to be republished in the event of receipt of amendments*

For two-letter codes and other abbreviations, refer to the "Guidance Notes on Codes and Abbreviations" appearing at the beginning of each regular issue of the PCT Gazette.

(88) Date of publication of the international search report:

18 November 2004

INTERNATIONAL SEARCH REPORT

International application No.
PCT/US03/33824

A. CLASSIFICATION OF SUBJECT MATTER

IPC(7) : A45D 40/26; A46B 11/00
US CL : 132/218; 401/122, 121, 129, 126

According to International Patent Classification (IPC) or to both national classification and IPC

B. FIELDS SEARCHED

Minimum documentation searched (classification system followed by classification symbols)
U.S. : 132/218; 401/122, 121, 129, 126

Documentation searched other than minimum documentation to the extent that such documents are included in the fields searched

Electronic data base consulted during the international search (name of data base and, where practicable, search terms used)
East text search

C. DOCUMENTS CONSIDERED TO BE RELEVANT

Category *	Citation of document, with indication, where appropriate, of the relevant passages	Relevant to claim No.
Y	US 5,770,307 A (RACKLEY et al) 23 June 1998 (23.06.1998), See whole document.	1-17, 19-20, 22-26, 28-33
Y	US 6,390,708 B1 (GUERET) 21 May 2002 (21.05.2002), See whole document.	1-17, 19-20, 22-26, 28-33
Y, E	PGPUB US 2003/0200980 A1 (LEGASSIE) 30 October 2003 (30.10.2003), See whole document.	18, 21, 27
A	US 4,619,345 A (RANDS) 28 October 1986 (28.10.1986), See whole document.	1-33

Further documents are listed in the continuation of Box C. See patent family annex.

* Special categories of cited documents:	
"A" document defining the general state of the art which is not considered to be of particular relevance	"T" later document published after the international filing date or priority date and not in conflict with the application but cited to understand the principle or theory underlying the invention
"E" earlier application or patent published on or after the international filing date	"X" document of particular relevance; the claimed invention cannot be considered novel or cannot be considered to involve an inventive step when the document is taken alone
"L" document which may throw doubts on priority claim(s) or which is cited to establish the publication date of another citation or other special reason (as specified)	"Y" document of particular relevance; the claimed invention cannot be considered to involve an inventive step when the document is combined with one or more other such documents, such combination being obvious to a person skilled in the art
"O" document referring to an oral disclosure, use, exhibition or other means	"&" document member of the same patent family
"P" document published prior to the international filing date but later than the priority date claimed	

Date of the actual completion of the international search 25 August 2004 (25.08.2004)	Date of mailing of the international search report 19 OCT 2004
Name and mailing address of the ISA/US Mail Stop PCT, Attn: ISA/US Commissioner for Patents P.O. Box 1450 Alexandria, Virginia 22313-1450 Facsimile No. (703) 305-3230	Authorized officer Robyn Doan <i>Sharon V. Doan for</i> Telephone No. (703) 308-0858