



US00D470627S

(12) **United States Design Patent** (10) **Patent No.:** **US D470,627 S**  
**Kuo** (45) **Date of Patent:** **\*\* Feb. 18, 2003**

(54) **COSMETIC CONTAINER**

FOREIGN PATENT DOCUMENTS

(76) Inventor: **Su-Chen Kuo**, No. 223, Yen Ho St.,  
Yung Kang City, Tainan Hsien (TW)

GB	2105099	*	9/2001	.....	28/2
GB	2106650	*	12/2001	.....	28/2
GB	3000075	*	12/2001	.....	28/2
GB	3000281	*	12/2001	.....	28/2
GB	3001942	*	3/2002	.....	28/2
GB	3002008	*	3/2002	.....	28/2

(\*\*) Term: **14 Years**

(21) Appl. No.: **29/160,676**

\* cited by examiner

(22) Filed: **May 16, 2002**

*Primary Examiner*—Ted Shooman

(51) **LOC (7) Cl.** ..... **28-03**

*Assistant Examiner*—C. Tuttle

(52) **U.S. Cl.** ..... **D28/77; D28/79; D14/137;**  
**D14/138**

(74) *Attorney, Agent, or Firm*—Rosenberg, Klein & Lee

(58) **Field of Search** ..... **D28/76-83; D9/307;**  
**D3/271; D14/138, 137, 147, 148; D21/517;**  
**132/286-318; 206/457, 235, 581, 823;**  
**220/DIG. 26; 446/71, 76, 81, 141, 142,**  
**397, 404, 472, 487**

(57) **CLAIM**

The ornamental design for a cosmetic container, as shown and described.

(56) **References Cited**

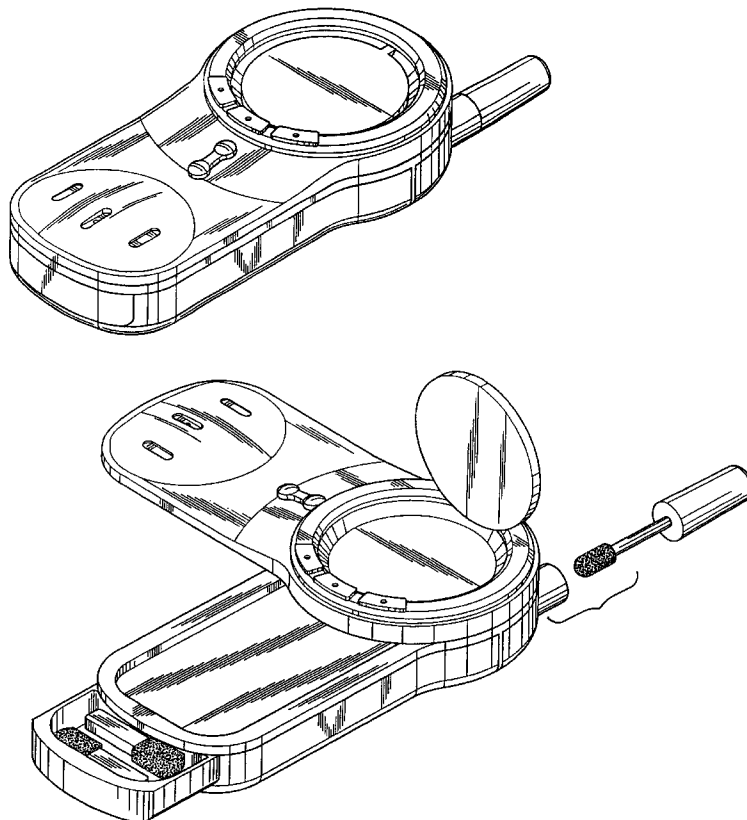
**DESCRIPTION**

**U.S. PATENT DOCUMENTS**

1,879,570	A	*	9/1932	Sopsko	.....	132/297
1,889,471	A	*	11/1932	Glaenzer	.....	132/295
D213,653	S	*	3/1969	Stern	.....	D28/78
D347,221	S	*	5/1994	Siddoway	.....	D14/138
5,398,706	A	*	3/1995	Epstein	.....	132/294
D416,555	S	*	11/1999	Lai	.....	D14/138
D439,233	S	*	3/2001	Isonaga	.....	D14/147
6,363,947	B1	*	4/2002	Wu	.....	132/297
6,386,210	B1	*	5/2002	Slater	.....	132/294

FIG. 1 is a perspective view of a cosmetic container showing my present design;  
FIG. 2 is a front view thereof;  
FIG. 3 is a rear view thereof;  
FIG. 4 is a left view thereof;  
FIG. 5 is a right view thereof;  
FIG. 6 is a top plan view thereof;  
FIG. 7 is a bottom plan view; and,  
FIG. 8 is a perspective view showing the present design in an open state.

**1 Claim, 5 Drawing Sheets**



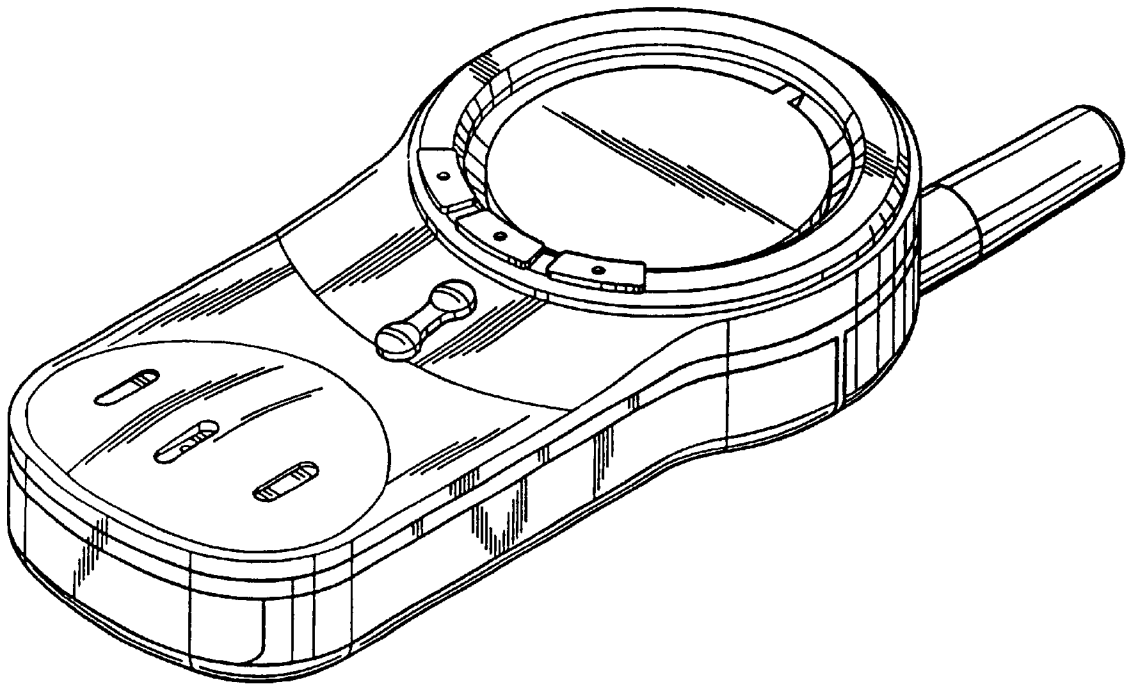


FIG. 1

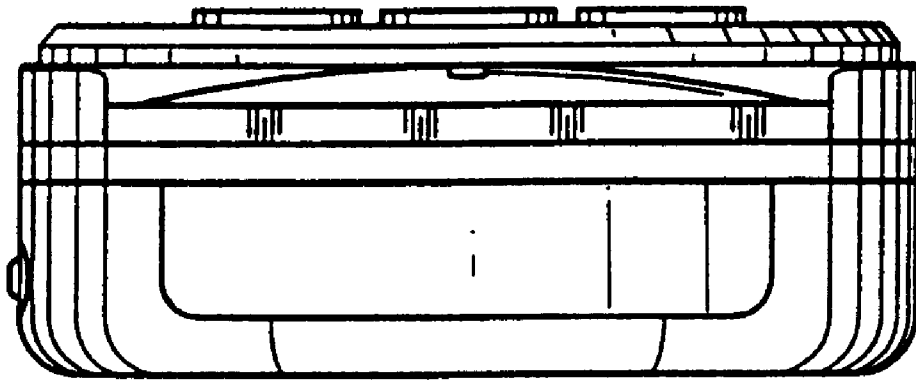


FIG. 2

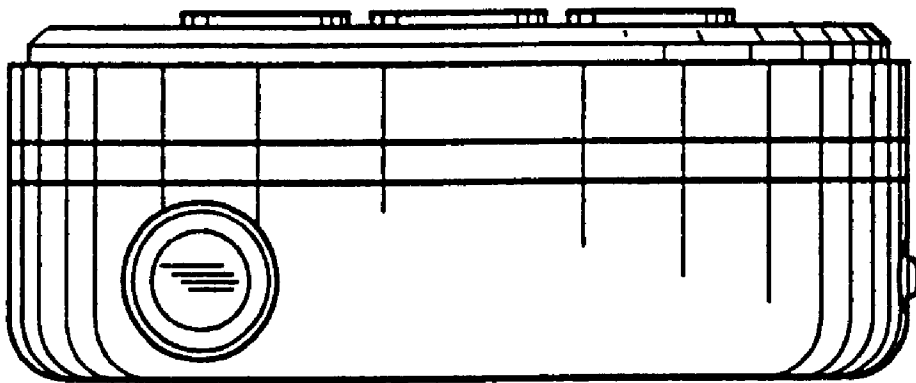


FIG. 3

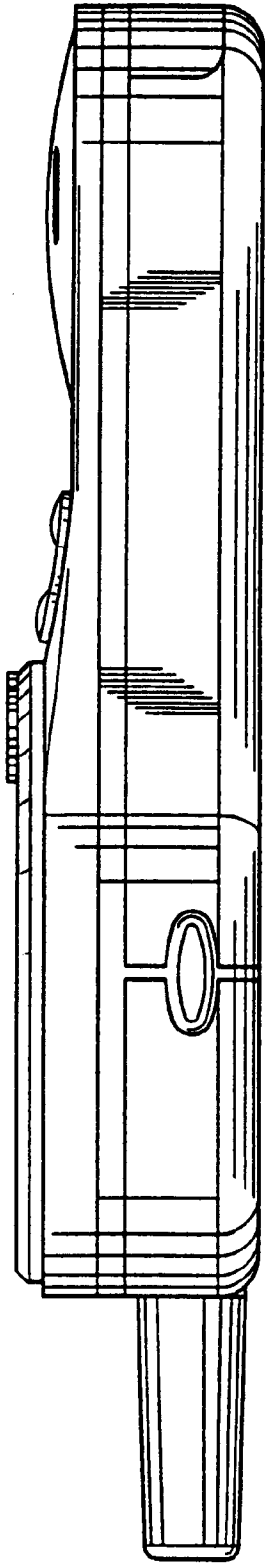


FIG. 4

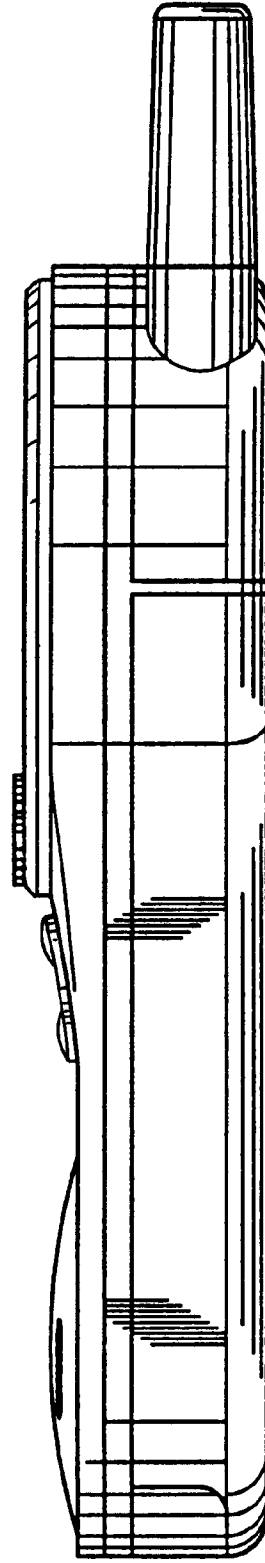


FIG. 5

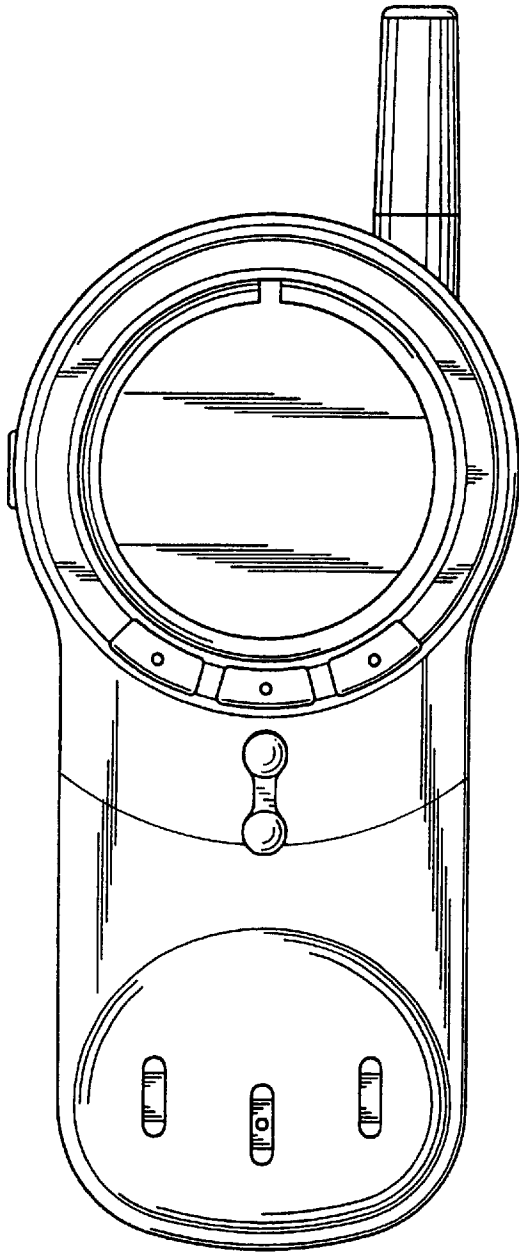


FIG. 6

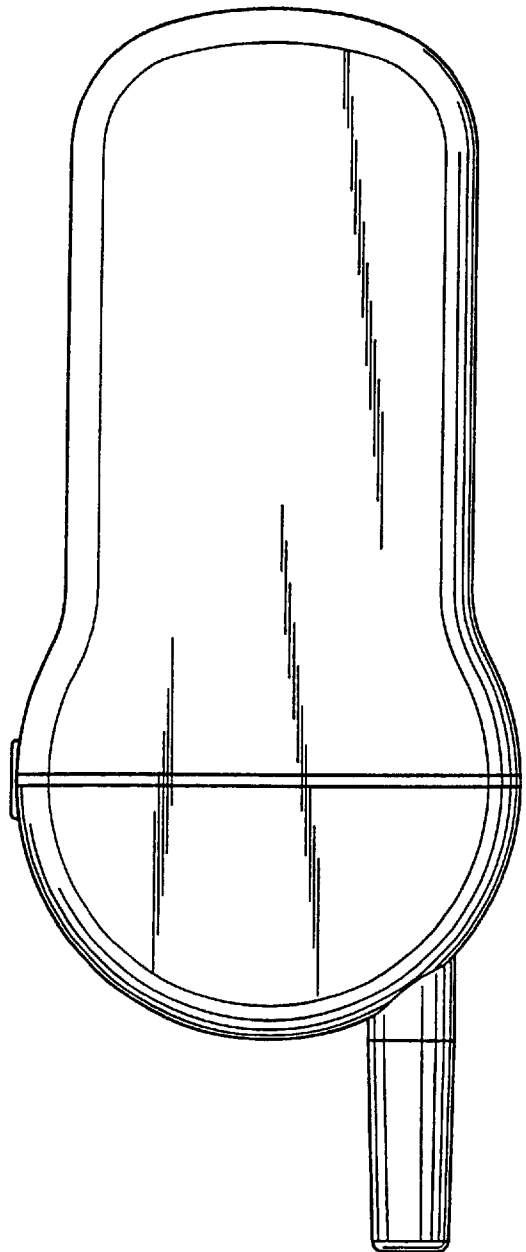


FIG. 7

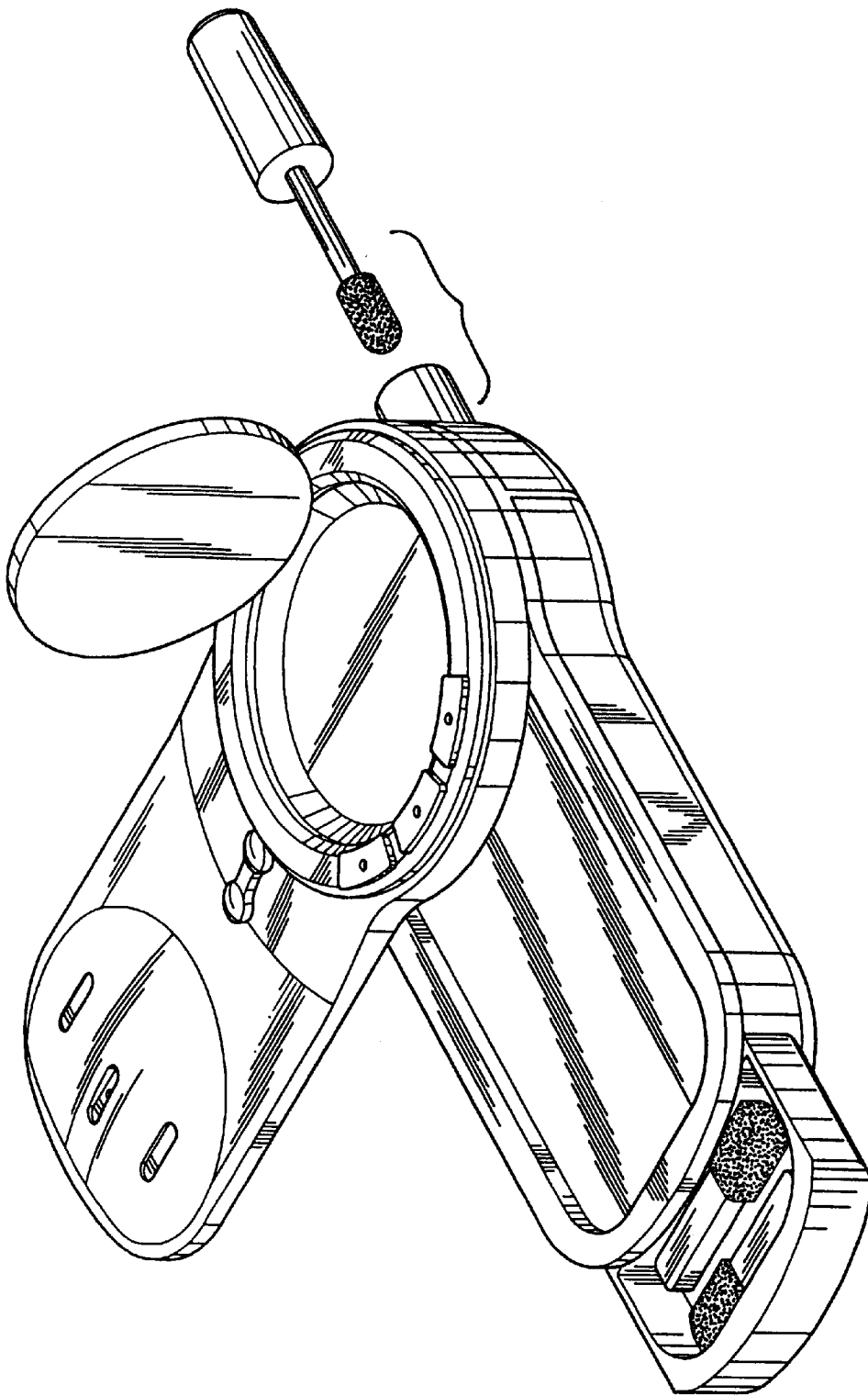


FIG. 8