



US00D701913S

(12) **United States Design Patent**
Li

(10) **Patent No.:** **US D701,913 S**

(45) **Date of Patent:** **** Apr. 1, 2014**

(54) **PEN**

(71) Applicant: **Beifa Group Co., Ltd.**, Zhejiang (CN)

(72) Inventor: **Bin Li**, Ningbo (CN)

(73) Assignee: **Beifa Group Co., Ltd.**, Ningbo (CN)

(**) Term: **14 Years**

(21) Appl. No.: **29/438,461**

(22) Filed: **Nov. 29, 2012**

(30) **Foreign Application Priority Data**

May 29, 2012 (CN) 2012 3 0205496

(51) **LOC (10) Cl.** **19-06**

(52) **U.S. Cl.**

USPC **D19/173**; D19/916; D19/918

(58) **Field of Classification Search**

USPC D14/411; D19/35, 36, 41-51, 53-58;
24/11 F, 11 R, 11 P; 402/52, 99-109,
402/192, 195, 196

See application file for complete search history.

(56) **References Cited**

U.S. PATENT DOCUMENTS

D355,673 S	2/1995	Takahashi
D366,498 S	1/1996	Abe
D366,669 S	1/1996	McCartney
D378,601 S	3/1997	Sakuno
D382,016 S	8/1997	Takahashi
D394,455 S	5/1998	Izushima
D400,922 S	11/1998	Sakuno
D402,693 S	12/1998	Sunaga
D402,695 S	12/1998	Izushima
D408,057 S	4/1999	Izushima
D410,030 S	5/1999	Sunaga
D413,927 S	9/1999	Izushima
D423,577 S	4/2000	Baudino

D453,187 S	1/2002	Keda
D457,563 S	5/2002	Moon
D463,822 S	10/2002	Keda
D475,405 S	6/2003	Cetera
D495,002 S	8/2004	Sung
D496,962 S	10/2004	Bonnamour
D497,643 S	10/2004	Nishida

(Continued)

FOREIGN PATENT DOCUMENTS

DM	047802	7/1999
EM	000231303-0002 A1	12/2004

(Continued)

OTHER PUBLICATIONS

Li, B., "Pen," U.S. Appl. No. 29/426,208, filed Jul. 2, 2012.

(Continued)

Primary Examiner — Elizabeth Albert

(74) *Attorney, Agent, or Firm* — Christensen O'Connor Johnson Kindness PLLC

(57)

CLAIM

The ornamental design for a pen, as shown and described.

DESCRIPTION

FIG. 1 is an upper front right perspective view of a pen showing my new design;

FIG. 2 is a front elevation view thereof;

FIG. 3 is a rear elevation view thereof;

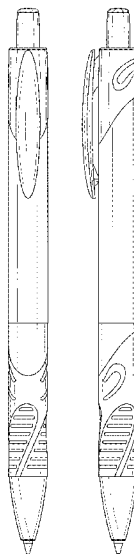
FIG. 4 is a right side elevation view thereof, with the left side elevation view being a mirror image of the right side elevation view;

FIG. 5 is an enlarged top plan view thereof; and,

FIG. 6 is an enlarged bottom plan view thereof.

The broken lines shown in FIGS. 1 and 5 illustrate environmental subject matter and form no part of the claimed design.

1 Claim, 3 Drawing Sheets



(56)

References Cited

U.S. PATENT DOCUMENTS

D506,499 S * 6/2005 Qiu D19/36
 D506,505 S 6/2005 Qiu
 D506,602 S 6/2005 Ardissono
 D508,717 S 8/2005 Anand
 D509,853 S 9/2005 Anand
 D525,302 S 7/2006 Togawa
 D542,843 S 5/2007 Qiu
 D546,882 S 7/2007 Qiu
 D553,681 S 10/2007 Cetera
 D558,268 S 12/2007 Siegel
 D559,315 S 1/2008 Qiu
 D559,909 S 1/2008 Qiu
 D562,392 S * 2/2008 Qiu et al. D19/50
 D562,895 S 2/2008 Shibata
 D569,435 S 5/2008 Cetera
 D589,557 S 3/2009 Kusch
 D595,353 S * 6/2009 Li D19/48
 D601,197 S 9/2009 Zhang
 D603,899 S 11/2009 Suero, Jr.
 D604,362 S 11/2009 Suero, Jr.
 D609,744 S 2/2010 Rathod
 D631,913 S 2/2011 Li

D646,715 S * 10/2011 Kim D19/50
 D648,387 S * 11/2011 Liang D19/50
 D651,240 S 12/2011 Liang
 D663,773 S 7/2012 Casciotti
 D664,594 S 7/2012 Casciotti
 D666,672 S 9/2012 Zhang
 D672,812 S 12/2012 Zhang
 D672,813 S 12/2012 Zhang
 D683,400 S * 5/2013 Xie D19/48
 D689,935 S * 9/2013 Li D19/48

FOREIGN PATENT DOCUMENTS

EM 000559851-0002 A1 10/2006
 EM 000621065-0002 A1 12/2006
 EM 000728506-0001 A1 7/2007
 EM 000784665-0003 A1 9/2007
 EM 000903844-0001 A1 4/2008
 EM 000903844-0008 A1 4/2008
 EM 000992573-0002 A1 10/2008

OTHER PUBLICATIONS

Li, B., "Pen," U.S. Appl. No. 29/438,459, filed Nov. 29, 2012.

* cited by examiner

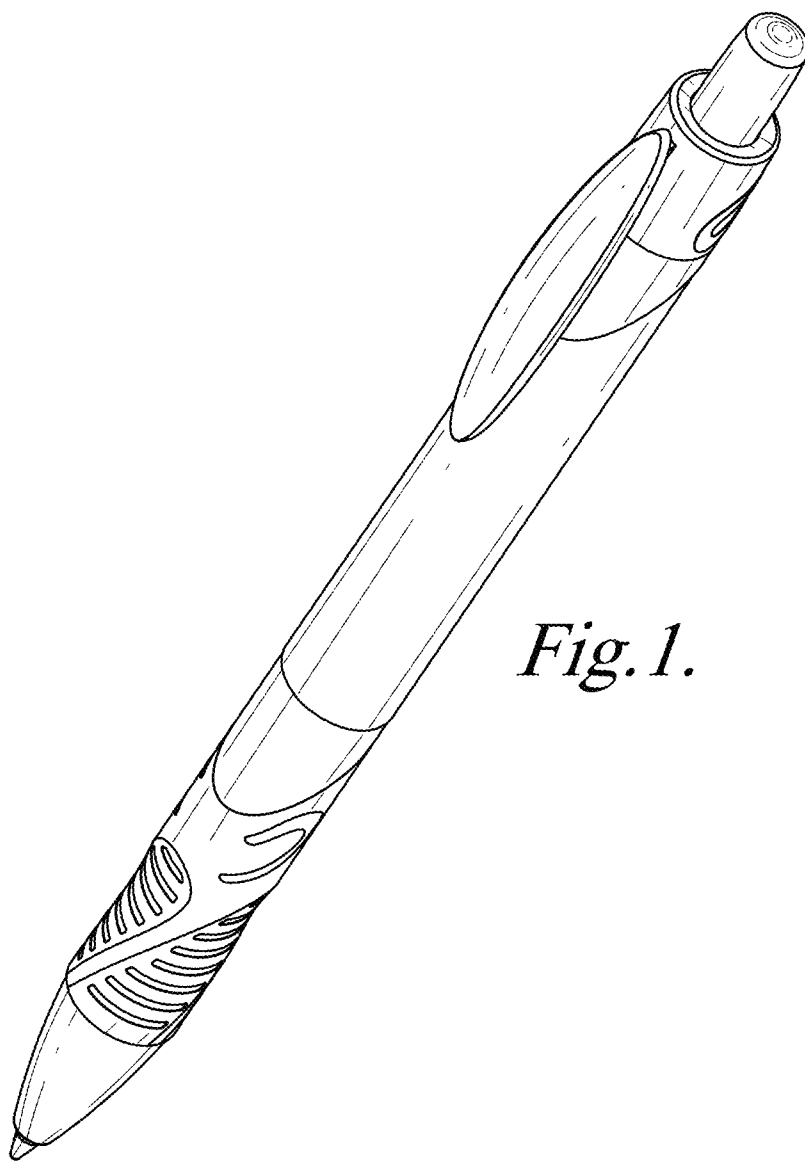


Fig. 1.

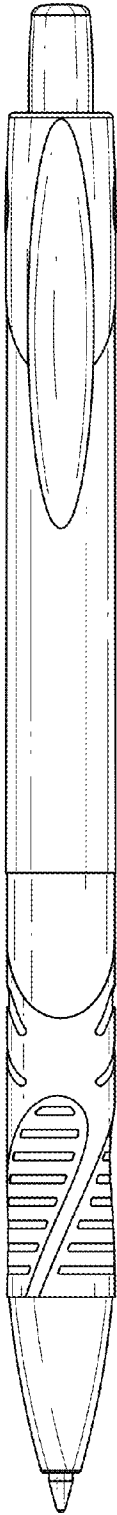


Fig.2.

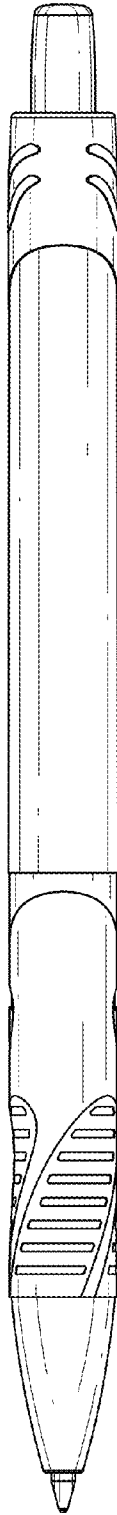


Fig.3.

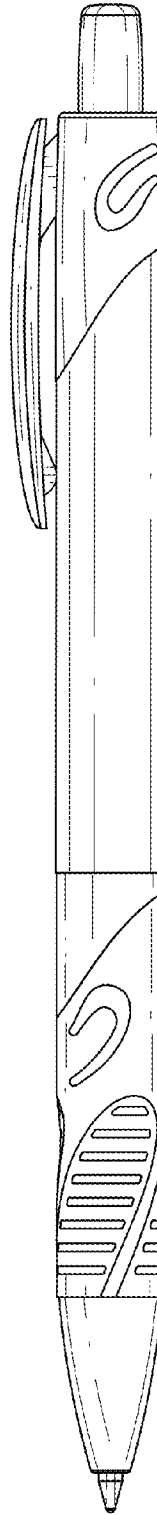


Fig.4.

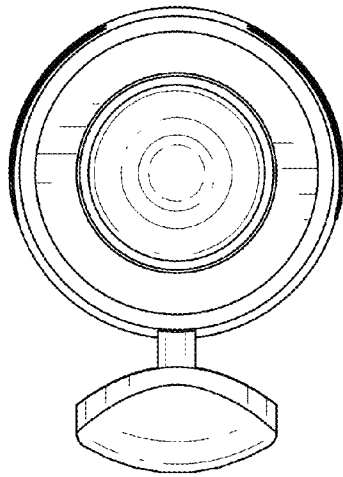


Fig. 5.

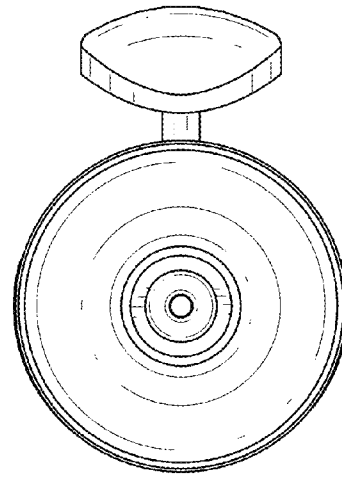


Fig. 6.