



US00D446993B1

(12) **United States Design Patent** (10) **Patent No.:** **US D446,993 S**
Zank (45) **Date of Patent:** **** Aug. 28, 2001**

(54) **FOOD PAN**

(75) Inventor: **Jeffrey T. Zank**, Germantown, WI (US)

(73) Assignee: **The Vollrath Company, L.L.C.**, Sheboygan, WI (US)

(**) Term: **14 Years**

(21) Appl. No.: **29/130,122**

(22) Filed: **Sep. 29, 2000**

Related U.S. Application Data

(62) Division of application No. 09/540,563, filed on Mar. 31, 2000.

(51) **LOC (7) Cl.** **07-02**

(52) **U.S. Cl.** **D7/354; D9/434**

(58) **Field of Search** D7/354, 360; D9/424, D9/425, 430, 432, 446, 447, 456; 206/518, 557, 563; 220/573.1, 656, 657, 659, 556, 640, 642, 644

(56) **References Cited**

U.S. PATENT DOCUMENTS

- D. 103,671 3/1937 Connor .
- D. 206,450 12/1966 Lloyd .
- D. 240,714 7/1976 White .
- D. 246,342 * 11/1977 Yonkers D9/425
- D. 268,622 4/1983 Wolters et al. .

(List continued on next page.)

FOREIGN PATENT DOCUMENTS

- 93 21 150 7/1996 (DE) .
- 19179 of 1910 (GB) .
- 463538 4/1937 (GB) .
- 2 270 459 3/1994 (GB) .
- 94/15152 7/1994 (WO) .

OTHER PUBLICATIONS

“Vollrath Super Pan” Catalog; Form No. 35001; 1986 The Vollrath Company, 4 pages.

“1989 Cambro Catalog”; First Edition; 6 total pages (cover page, pp. 2, 18–21).

“Rubbermaid Food Specialists”; F–200 Litho/May 1978; 6 total pages.

“Polarware Food Service” Catalog; Revised May 1988; 4 total pages.

“Carlisle Foodservice Products” Catalog; 3 total pages (cover page, back page and p. 9).

“The Vollrath Catalog”; FOrM No. 34567; 1997 The Vollrath Company, 64 total pages.

* cited by examiner

Primary Examiner—Doris V. Coles

Assistant Examiner—Elizabeth A Albert

(74) *Attorney, Agent, or Firm*—Foley & Lardner

(57) **CLAIM**

We claim the ornamental design for a food pan, as shown and described.

DESCRIPTION

FIG. 1 is a top perspective view of a food pan illustrating my design;

FIG. 2 is a top plan view thereof;

FIG. 3 is a right side elevational view thereof;

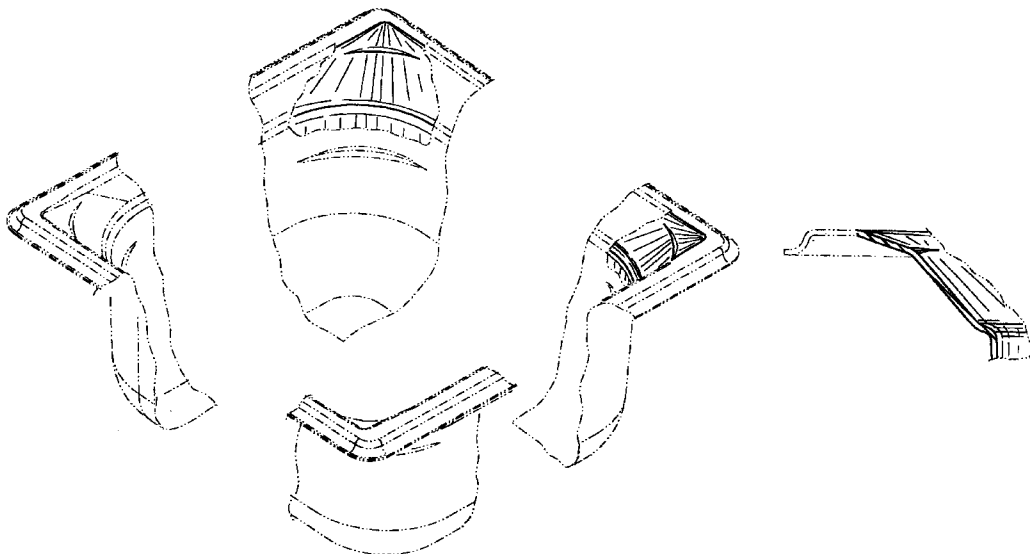
FIG. 4 is a front elevational view thereof;

FIG. 5 is a bottom plan view thereof; and,

FIG. 6 is a sectional view thereof taken along line 6—6 of FIG. 2.

The ornamental design which is claimed is shown in solid lines in the drawings. The broken lines in the drawings are for illustrative purposes only and form no part of the claimed design.

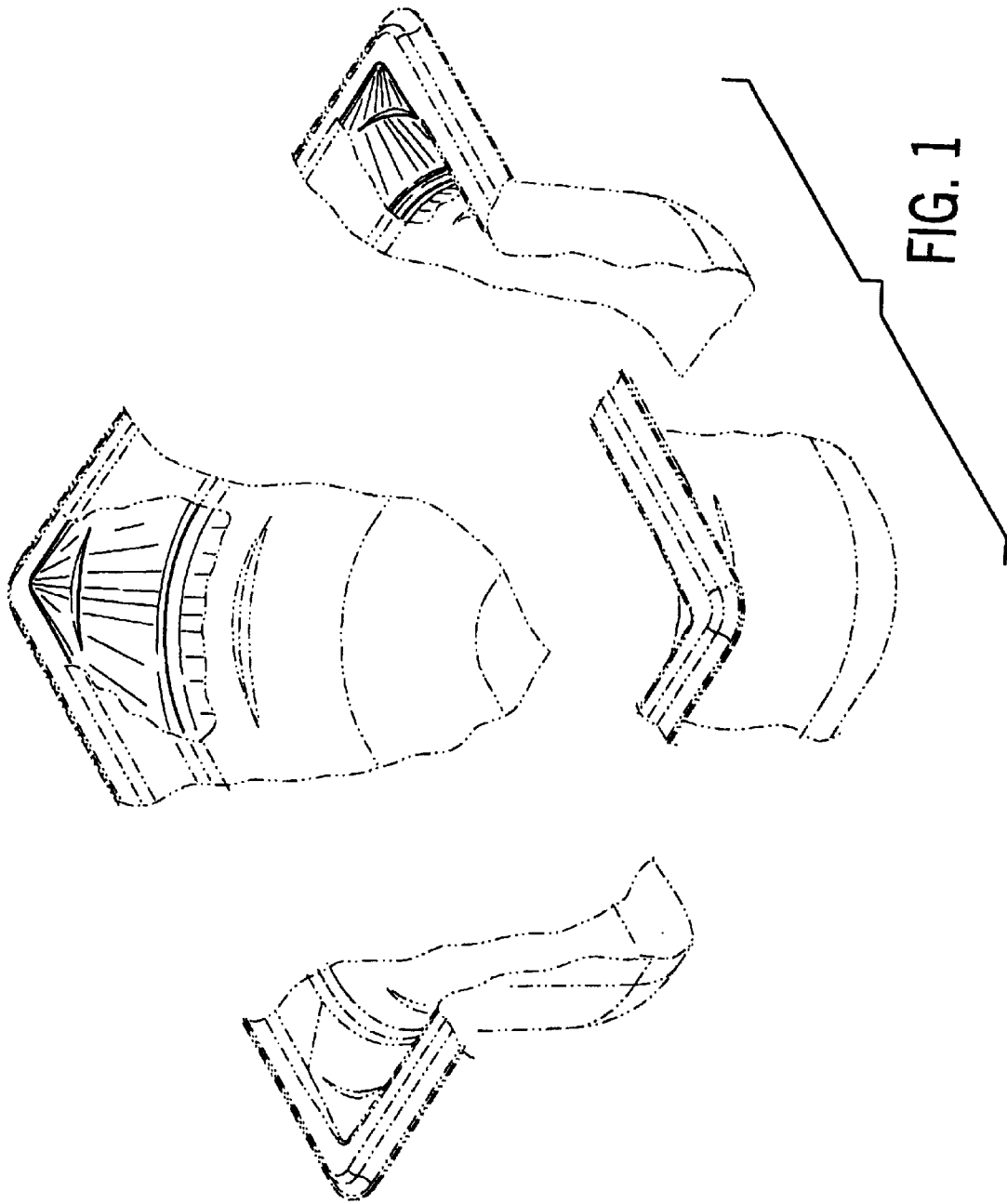
1 Claim, 3 Drawing Sheets



US D446,993 S

Page 2

U.S. PATENT DOCUMENTS					
			4,298,156	11/1981	Reifers et al. .
			4,616,762	10/1986	Alexander .
			4,660,734 *	4/1987	Heaney et al. .
D. 275,500	9/1984	Tyke .	4,828,112	5/1989	Vollrath et al. .
D. 287,809 *	1/1987	Alexander	4,967,908	11/1990	Kessler .
D. 288,063 *	2/1987	Tyler	4,969,569	11/1990	Anders .
D. 288,396	2/1987	Ritman .	4,971,216	11/1990	Fortune .
D. 291,526 *	8/1987	Heaney et al.	5,018,623	5/1991	Hrenyo .
D. 305,410 *	1/1990	Tyler	5,029,721	7/1991	Timpe .
D. 333,944	3/1993	Denzin et al. .	5,131,708	7/1992	Denzin .
D. 365,501	12/1995	Daugherty et al. .	5,279,443	1/1994	Koda et al. .
D. 417,361	12/1999	Mittmann et al. .	5,392,948	2/1995	McEntee .
D. 435,390 *	12/2000	Mittmann	5,511,467	4/1996	Motley et al. .
2,644,443	7/1953	Barnsteiner .	5,626,256	5/1997	Onneweer .
2,646,762	7/1953	Ingraham et al. .	5,628,427	5/1997	Hayes .
3,112,948	12/1963	Burns .	5,676,276	10/1997	Zielinski et al. .
3,179,287	4/1965	Rickmeier, Jr. .	5,769,261	6/1998	Gaffney et al. .
3,581,970	6/1971	Colato .	5,878,656	3/1999	Fletcher et al. .
4,113,095	9/1978	Dietz et al. .			
4,204,609	5/1980	Kuhn .			



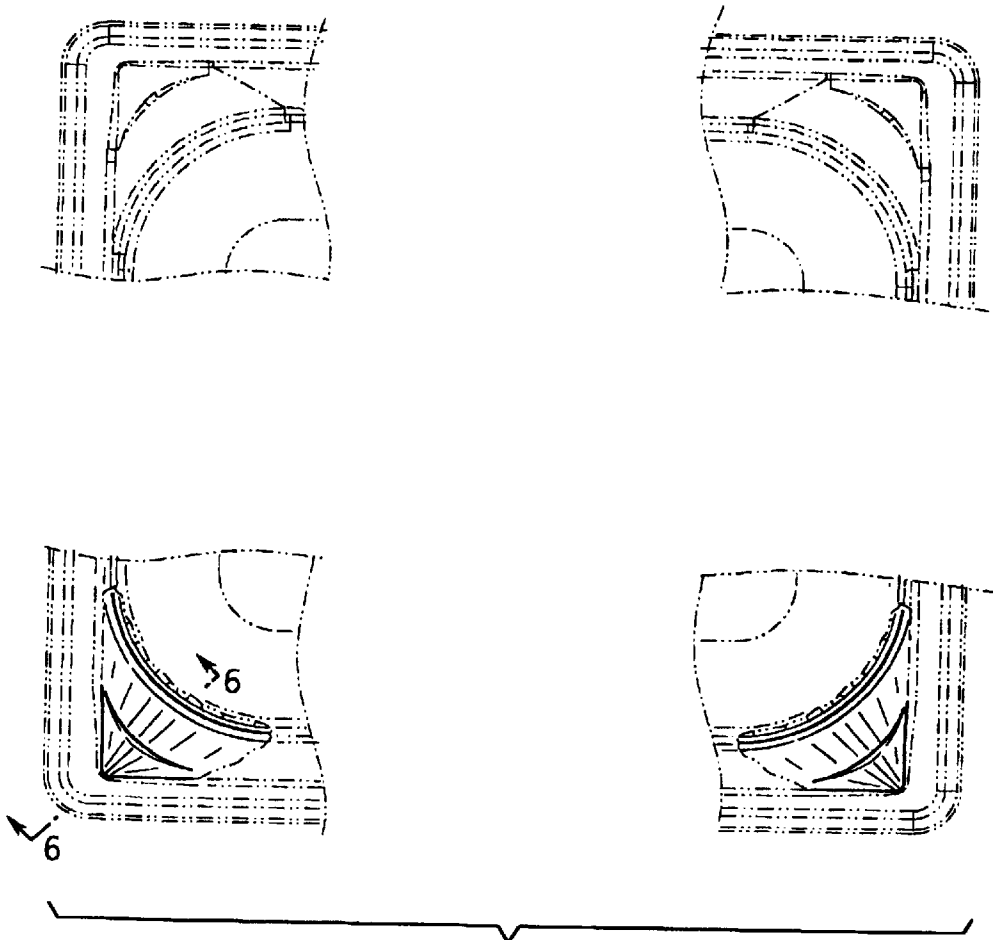


FIG. 2

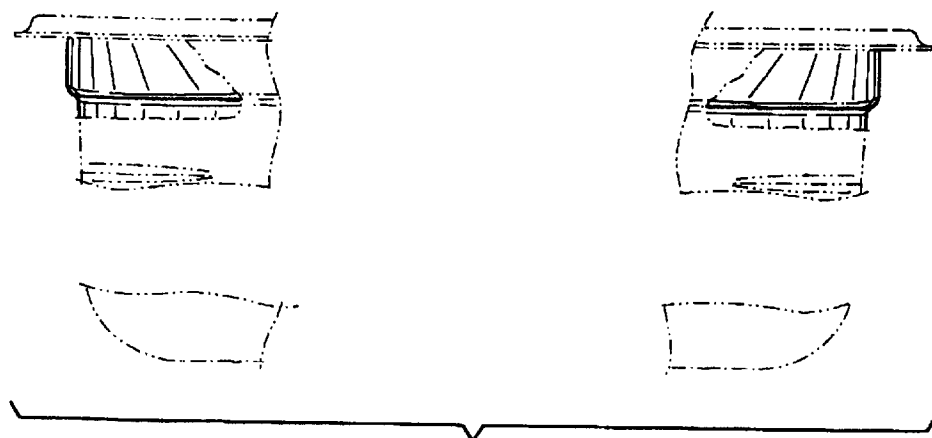


FIG. 3

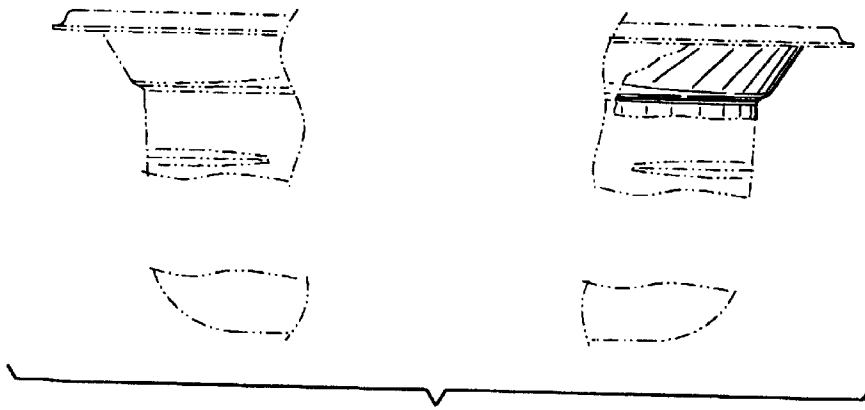


FIG. 4

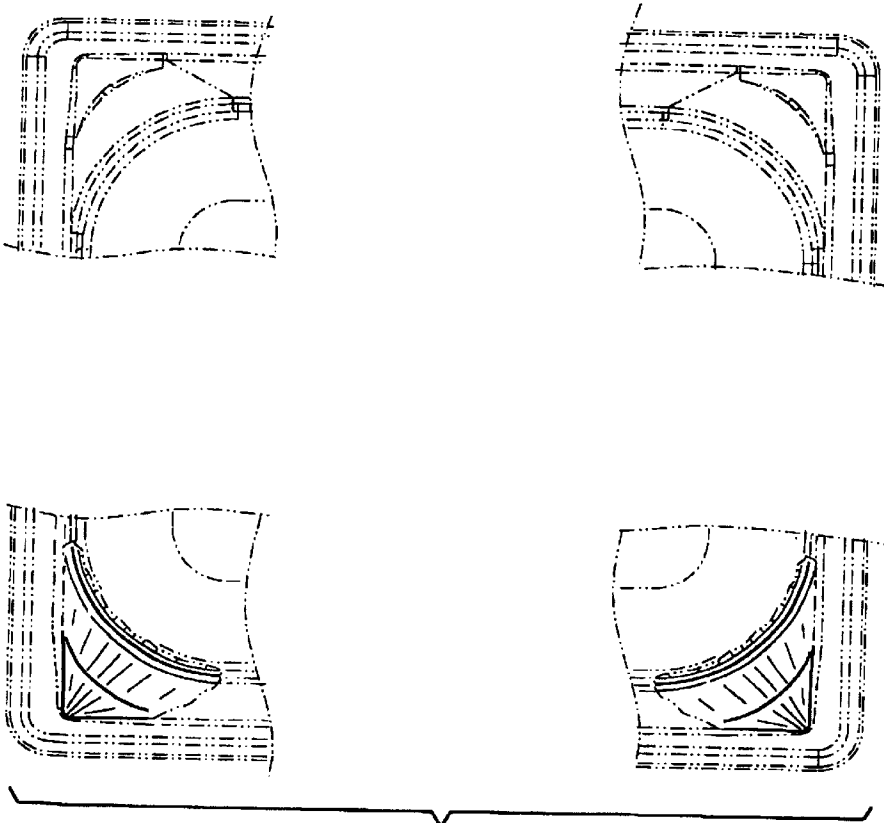


FIG. 5

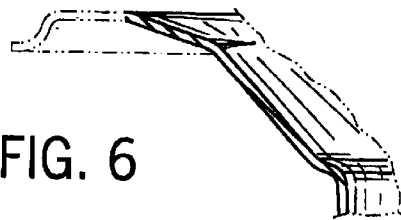


FIG. 6