



US00D854882S

(12) **United States Design Patent**
Rollins

(10) **Patent No.:** **US D854,882 S**

(45) **Date of Patent:** **** *Jul. 30, 2019**

(54) **DRINKING VESSEL HANDLE WITH STONE**

(71) Applicant: **Donna Elizabeth Rollins**, Sandown, NH (US)

(72) Inventor: **Donna Elizabeth Rollins**, Sandown, NH (US)

(73) Assignee: **Donna Elizabeth Rollins**, Sandown, NH (US)

(*) Notice: This patent is subject to a terminal disclaimer.

(**) Term: **14 Years**

(21) Appl. No.: **29/454,697**

(22) Filed: **May 13, 2013**

(51) **LOC (11) Cl.** **07-02**

(52) **U.S. Cl.**
USPC **D7/394**; D7/393; D7/396.2

(58) **Field of Classification Search**
USPC D7/507, 509, 510, 511, 523, 529, 530, D7/531, 532, 533, 534, 535, 536, 608, D7/392.1, 396.2, 396.4, 387, 394, 515, D7/393; D9/434; D10/46.2; D24/197, D24/199; 220/592.16, 592.17; D11/2, 3, D11/16, 17, 201, 202; D8/301, 313, 321, D8/107, 300

CPC A47G 19/22; A47G 19/2205; A47G 19/2227; A47G 19/2266; A47F 3/16

See application file for complete search history.

(56) **References Cited**

U.S. PATENT DOCUMENTS

D55,788 S	7/1920	Griffin
1,668,217 A	5/1928	Schrayssshuen
D76,857 S	11/1928	Dubasoff
D130,343 S	11/1941	Reinstein

D142,887 S	11/1945	Millard	
D161,712 S *	1/1951	Roop	D7/536
D172,613 S	7/1954	Katz	
D173,573 S	11/1954	Katz	
2,920,442 A	1/1960	Kunzmann	
4,435,084 A *	3/1984	Calhoun	B01F 7/162 366/130
D277,354 S	1/1985	Levine	
D290,938 S	7/1987	Bulgari	
D293,561 S *	1/1988	Bulgari	D11/3
D294,472 S	3/1988	Bulgari	
D304,889 S *	12/1989	Stymeist	D7/536
D319,412 S	8/1991	Bulgari	
D336,825 S *	6/1993	Ivey	D7/511
D369,569 S	5/1996	Kaufmann	
5,626,248 A *	5/1997	McConnell	A47G 19/2227 215/374
D383,697 S *	9/1997	Bulgari	D11/35
D386,438 S	11/1997	Itzkowitz	
D386,942 S *	12/1997	McConnell	D7/394
D389,769 S	1/1998	Morrison	
D392,204 S	3/1998	Morrison	
D398,558 S *	9/1998	LaBorde	D11/201
5,961,004 A *	10/1999	DeMars	A47G 19/2288 220/710.5
D426,109 S *	6/2000	Freed	D7/509

(Continued)

Primary Examiner — Jae Liang

(74) *Attorney, Agent, or Firm* — Lando & Anastasi, LLP

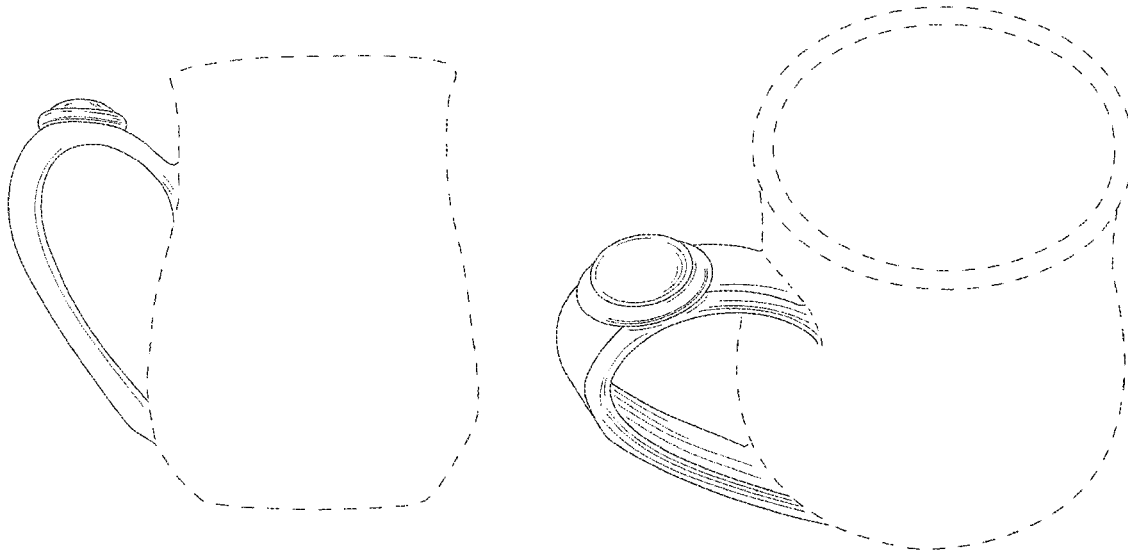
(57) **CLAIM**

The ornamental design for a drinking vessel handle with stone, as shown and described.

DESCRIPTION

FIG. 1 is a side view of a drinking vessel handle with stone showing my new design;
FIG. 2 is a top view thereof; and,
FIG. 3 is a perspective view thereof.
The broken lines in the drawing depict environmental subject matter only and form no part of the claimed design.

1 Claim, 3 Drawing Sheets



(56)

References Cited

U.S. PATENT DOCUMENTS

D440,815	S *	4/2001	Freed	D7/394	D627,251	S	11/2010	Papadimitriou	
D451,360	S *	12/2001	Nesseth	D8/302	D630,963	S	1/2011	Papadimitriou	
D451,422	S *	12/2001	Wenrich	D11/26	D640,948	S *	7/2011	Quigley 87/1
D462,579	S *	9/2002	Janky	D7/510	D653,150	S	1/2012	Croak	
D462,876	S *	9/2002	Janky	D7/510	D653,991	S	2/2012	Sandberg	
6,471,390	B1 *	10/2002	Cuthbertson	A47G 19/2205 366/101	D665,292	S	8/2012	Jackson	
D475,290	S *	6/2003	Cooper	D11/90	D691,505	S	10/2013	Fillon	
D475,292	S *	6/2003	Cooper	D11/90	D691,508	S *	10/2013	Fillon D11/26
D475,624	S *	6/2003	Cooper	D11/90	D694,662	S	12/2013	Buckley	
D486,997	S *	2/2004	Janky	D7/510	D705,111	S	5/2014	Namazy	
D488,028	S *	4/2004	Janky	D7/536	D705,112	S	5/2014	Namazy	
D491,022	S *	6/2004	Bodum	D7/510	D723,968	S *	3/2015	Slimane D11/26
D493,332	S *	7/2004	Bin	D7/318	D724,376	S *	3/2015	Williamson D7/394
D494,814	S *	8/2004	Cintron	D7/510	D726,570	S	4/2015	Puterman	
D499,042	S *	11/2004	Schnur	D11/26	D732,993	S	6/2015	Shabot	
D507,153	S *	7/2005	Trombly	D7/533	D734,684	S	7/2015	Barresi	
D517,890	S *	3/2006	Collins	D8/107	D734,685	S	7/2015	Barresi	
D517,895	S *	3/2006	Chen	D32/48	D737,631	S *	9/2015	White D7/536
D541,692	S *	5/2007	Daas	D11/16	D749,262	S *	2/2016	Schoenfeld A24F 3/00 D27/163
D543,127	S *	5/2007	Daas	D11/16	D749,976	S	2/2016	Barresi	
D575,654	S	8/2008	Maier			D759,528	S	6/2016	Stepper et al.	
D578,351	S *	10/2008	Pearson	D7/509	D783,443	S	4/2017	Bresser	
D602,799	S	10/2009	Colombani			D784,177	S *	4/2017	Kaiser D11/2
D608,133	S *	1/2010	Choi	D7/317	D806,603	S	1/2018	Gaynes et al.	
D614,526	S	4/2010	Vagal			D834,982	S	12/2018	Amfitheatrof et al.	
						2013/0320027	A1 *	12/2013	Casillas A47J 41/0038 220/592.17

* cited by examiner

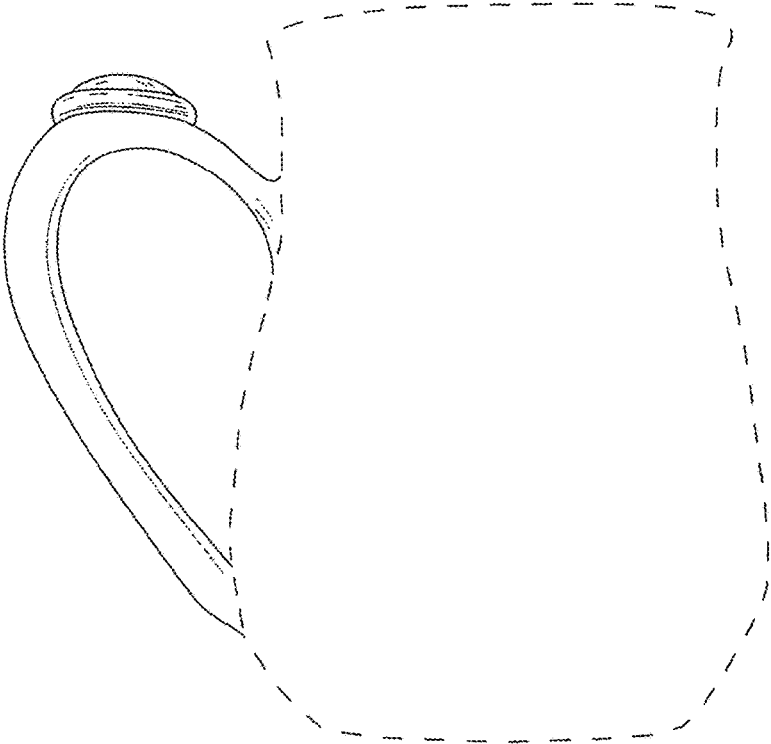


Fig. 1

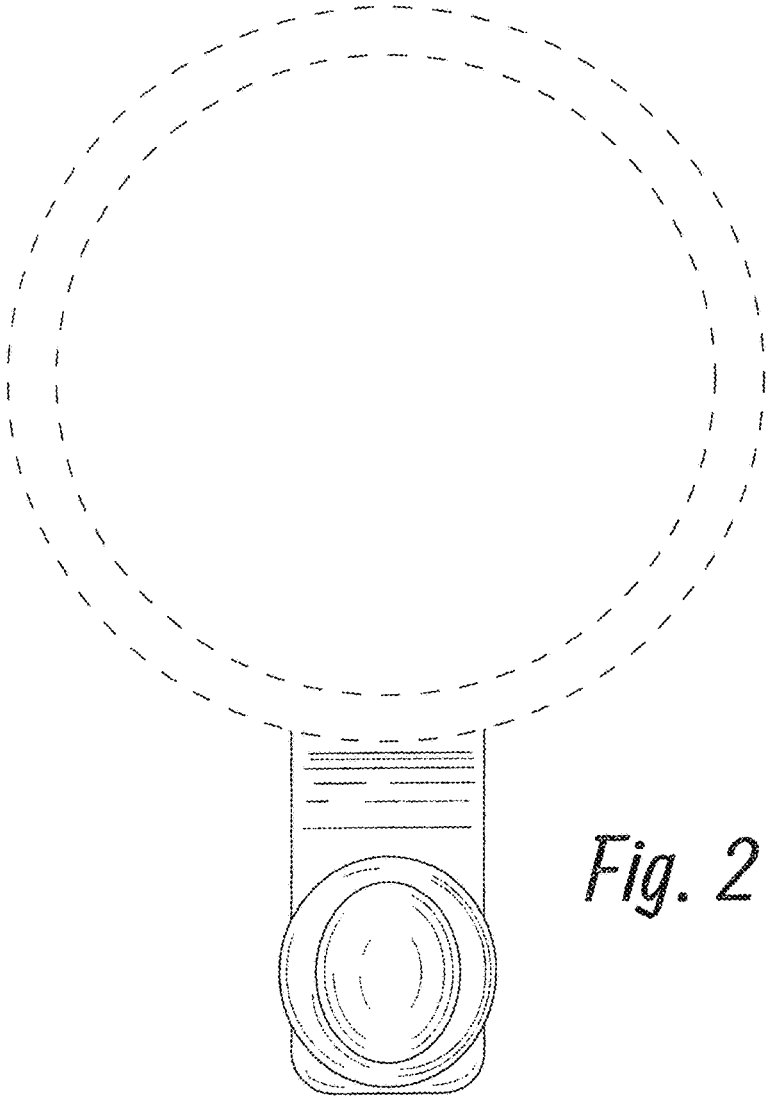


Fig. 2

Fig. 3

