

(19) World Intellectual Property Organization
International Bureau



(43) International Publication Date
22 September 2005 (22.09.2005)

PCT

(10) International Publication Number
WO 2005/086737 A3

(51) International Patent Classification:

A61B 8/00 (2006.01) A61B 8/14 (2006.01)
A61B 8/12 (2006.01)

(21) International Application Number:

PCT/US2005/007233

(22) International Filing Date: 7 March 2005 (07.03.2005)

(25) Filing Language: English

(26) Publication Language: English

(30) Priority Data:

10/795,680 8 March 2004 (08.03.2004) US

(71) Applicant (for all designated States except US):

ETHICON ENDO-SURGERY, INC. [US/US]; 4545
Creek Road, Cincinnati, Ohio 45242 (US).

(72) Inventors; and

(75) Inventors/Applicants (for US only): **MAKIN, Inder,
Raj, S.** [US/US]; 11388 Donwiddle Drive, Loveland,
Ohio 45242 (US). **AVIDOR, Yoav** [US/US]; 5488 East
Galbraith, Cincinnati, Ohio 45236 (US). **SLAYTON,**

Michael, H. [US/US]; 1323 E. Whalers Way, Tempe,
Arizona 55283-2149 (US). **BARTHE, Peter, G.** [US/US];
4818-1 E. Hazel Drive, Phoenix, Arizona 85044 (US).

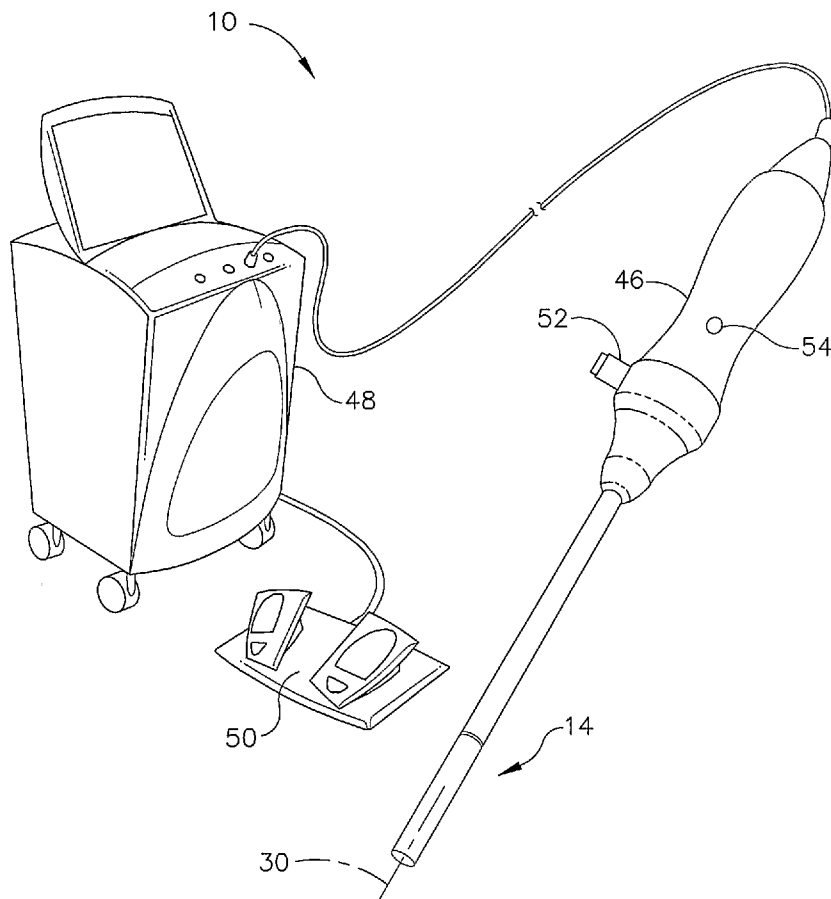
(74) Agent: **KREGGER, Verne, E., Jr.**; Ethicon Endo-Surgery,
Inc., 4545 Creek Road, Cincinnati, Ohio 45242 (US).

(81) Designated States (unless otherwise indicated, for every
kind of national protection available): AE, AG, AL, AM,
AT, AU, AZ, BA, BB, BG, BR, BW, BY, BZ, CA, CH, CN,
CO, CR, CU, CZ, DE, DK, DM, DZ, EC, EE, EG, ES, FI,
GB, GD, GE, GH, GM, HR, HU, ID, IL, IN, IS, JP, KE,
KG, KP, KR, KZ, LC, LK, LR, LS, LT, LU, LV, MA, MD,
MG, MK, MN, MW, MX, MZ, NA, NI, NO, NZ, OM, PG,
PH, PL, PT, RO, RU, SC, SD, SE, SG, SK, SL, SM, SY,
TJ, TM, TN, TR, TT, TZ, UA, UG, US, UZ, VC, VN, YU,
ZA, ZM, ZW.

(84) Designated States (unless otherwise indicated, for every
kind of regional protection available): ARIPO (BW, GH,
GM, KE, LS, MW, MZ, NA, SD, SL, SZ, TZ, UG, ZM,
ZW), Eurasian (AM, AZ, BY, KG, KZ, MD, RU, TJ, TM),
European (AT, BE, BG, CH, CY, CZ, DE, DK, EE, ES, FI,

[Continued on next page]

(54) Title: INTRA-CAVITARY ULTRASOUND MEDICAL SYSTEM AND METHOD



(57) Abstract: A method for medically employing ultrasound within a body cavity of a patient. An end effector is obtained having a medical ultrasound transducer assembly. A biocompatible hygroscopic substance is obtained having a non-expanded anhydrous state and having an expanded and fluidly-loculated hydrated state. The end effector, including the transducer assembly, and the substance in substantially its anhydrous state are inserted into a body cavity (such as endoscopically inserted into a uterus) of a patient. The transducer assembly is used to medically image and/or medically treat patient tissue (such as stopping blood flow to, and/or ablating, a uterine fibroid). A system for medically employing ultrasound includes the end effector and the substance. In another system, the end effector includes the substance. The substance in its hydrated state expands inside the body cavity providing acoustic coupling between the wall of the body cavity and the transducer assembly.

WO 2005/086737 A3



FR, GB, GR, HU, IE, IS, IT, LT, LU, MC, NL, PL, PT, RO, SE, SI, SK, TR), OAPI (BF, BJ, CF, CG, CI, CM, GA, GN, GQ, GW, ML, MR, NE, SN, TD, TG).

For two-letter codes and other abbreviations, refer to the "Guidance Notes on Codes and Abbreviations" appearing at the beginning of each regular issue of the PCT Gazette.

Published:

- *with international search report*
- *before the expiration of the time limit for amending the claims and to be republished in the event of receipt of amendments*

(88) Date of publication of the international search report:

25 January 2007

INTERNATIONAL SEARCH REPORT

International application No.

PCT/US05/07233

A. CLASSIFICATION OF SUBJECT MATTER
 IPC: **A61B 8/00(2006.01),8/12(2006.01),8/14(2006.01)**

 USPC: 600/439
 According to International Patent Classification (IPC) or to both national classification and IPC

B. FIELDS SEARCHED

Minimum documentation searched (classification system followed by classification symbols)
 U.S. : 600/439

Documentation searched other than minimum documentation to the extent that such documents are included in the fields searched

Electronic data base consulted during the international search (name of data base and, where practicable, search terms used)

C. DOCUMENTS CONSIDERED TO BE RELEVANT

Category *	Citation of document, with indication, where appropriate, of the relevant passages	Relevant to claim No.
Y	US 6,602,251 B2 (Burbank et al) 05 August 2003 (05.08.2003), See Abstract; Figs. 3 and 5; Claims 1, 6, 11; column 10, lines 4-16.	1-20
Y	US 5,514,085 A (Yoon) 7 May 1996 (07.05.1996), claims 1-3 and 8.	1-20

Further documents are listed in the continuation of Box C.

See patent family annex.

* Special categories of cited documents:	
"A" document defining the general state of the art which is not considered to be of particular relevance	"T" later document published after the international filing date or priority date and not in conflict with the application but cited to understand the principle or theory underlying the invention
"E" earlier application or patent published on or after the international filing date	"X" document of particular relevance; the claimed invention cannot be considered novel or cannot be considered to involve an inventive step when the document is taken alone
"L" document which may throw doubts on priority claim(s) or which is cited to establish the publication date of another citation or other special reason (as specified)	"Y" document of particular relevance; the claimed invention cannot be considered to involve an inventive step when the document is combined with one or more other such documents, such combination being obvious to a person skilled in the art
"O" document referring to an oral disclosure, use, exhibition or other means	
"P" document published prior to the international filing date but later than the priority date claimed	"&" document member of the same patent family

Date of the actual completion of the international search 25 August 2006 (25.08.2006)	Date of mailing of the international search report 16 NOV 2006
--	--

Name and mailing address of the ISA/US Mail Stop PCT, Attn: ISA/US Commissioner for Patents P.O. Box 1450 Alexandria, Virginia 22313-1450 Facsimile No. (571) 273-3201	Authorized officer <i>Sanjay Cattungal</i> Telephone No. (571)272-0000
---	--