



US00D565129S

(12) **United States Design Patent**
Chang et al.

(10) **Patent No.:** **US D565,129 S**
(45) **Date of Patent:** **** Mar. 25, 2008**

(54) **EXERCISE APPARATUS**

(75) Inventors: **Shu Wei Chang**, Taya Hsiang (TW);
Hsien Chun Su, Taya Hsiang (TW)

(73) Assignee: **Johnson Health Tech. Co., Ltd.**,
Taichung Hsein (TW)

(**) Term: **14 Years**

(21) Appl. No.: **29/271,256**

(22) Filed: **Jan. 16, 2007**

(51) **LOC (8) Cl.** **21-02**

(52) **U.S. Cl.** **D21/668**

(58) **Field of Classification Search** D21/662,
D21/663, 665, 668, 669, 670; 482/51, 52,
482/53, 54, 57, 70, 79

See application file for complete search history.

(56) **References Cited**

U.S. PATENT DOCUMENTS

5,823,914	A *	10/1998	Chen	482/51
D408,477	S *	4/1999	Arnold et al.	D21/668
D410,978	S *	6/1999	Littrell et al.	D21/668
6,007,462	A *	12/1999	Chen	482/57
6,149,551	A *	11/2000	Pyles et al.	482/52
6,390,954	B1 *	5/2002	Lee	482/52
D459,773	S *	7/2002	Hsiung	D21/668
D464,688	S *	10/2002	May et al.	D21/668

D464,689	S *	10/2002	May et al.	D21/668
D465,000	S *	10/2002	Arnold et al.	D21/668
D478,365	S *	8/2003	Giannelli et al.	D21/668
D493,201	S *	7/2004	Giannelli et al.	D21/668
D512,112	S *	11/2005	Nagano	D21/668
D530,758	S *	10/2006	Kim	D21/668
2005/0288155	A1 *	12/2005	Yang	482/52
2006/0172865	A1 *	8/2006	Dey et al.	482/52

* cited by examiner

Primary Examiner—Philip S. Hyder

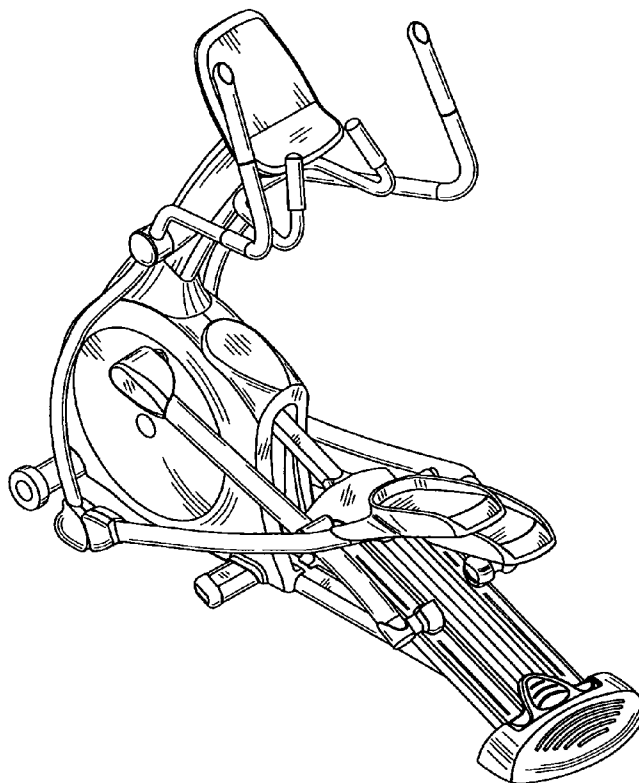
(57) **CLAIM**

The ornamental design for an exercise apparatus, as shown and described.

DESCRIPTION

FIG. 1 is a perspective view of the exercise apparatus;
 FIG. 2 is a left side elevational view of the exercise apparatus;
 FIG. 3 is a right side elevational view of the exercise apparatus;
 FIG. 4 is a front elevational view of the exercise apparatus;
 FIG. 5 is a rear elevational view of the exercise apparatus;
 FIG. 6 is a top plan view of the exercise apparatus; and,
 FIG. 7 is a bottom plan view of the exercise apparatus.

1 Claim, 7 Drawing Sheets



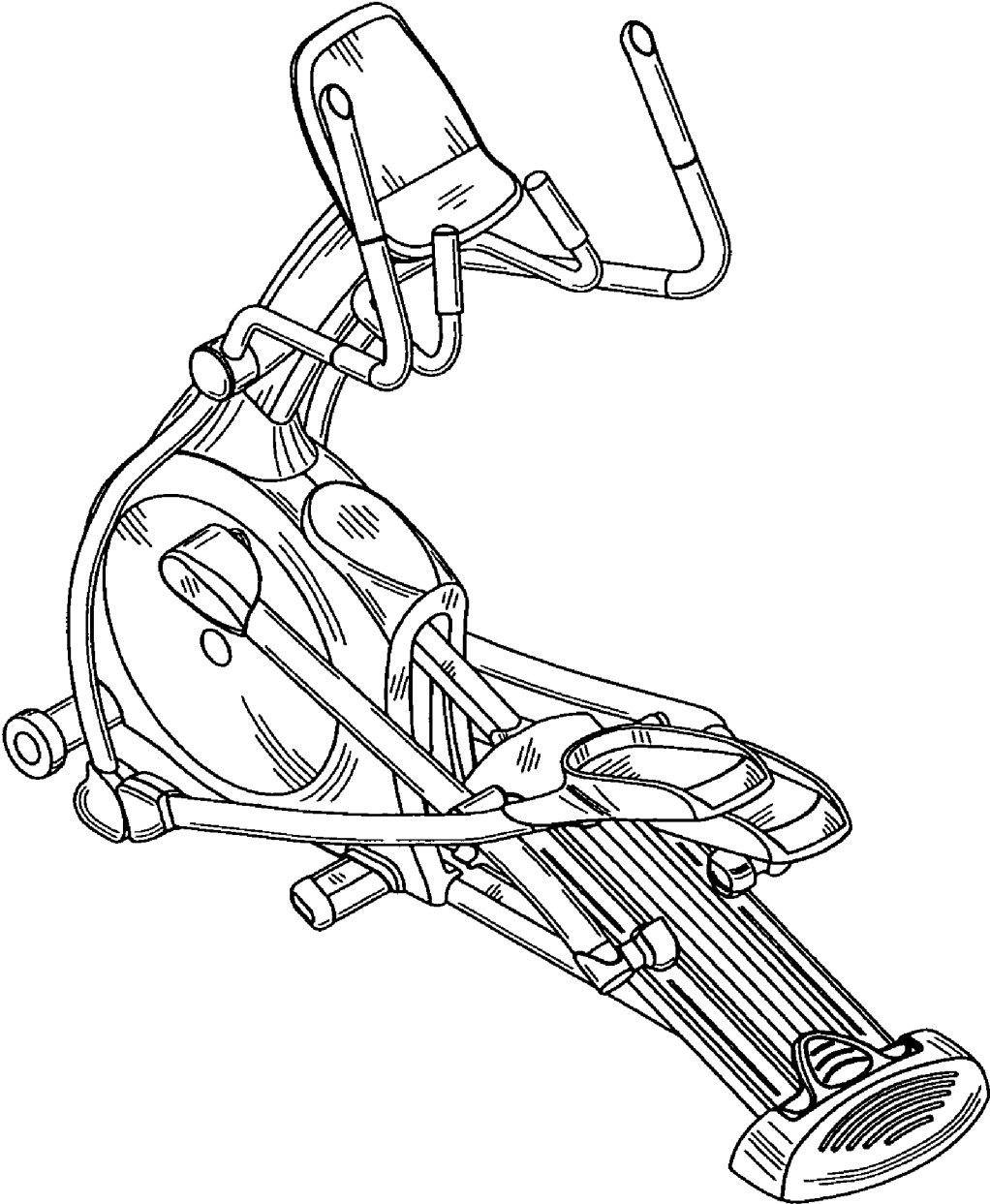


Fig. 1

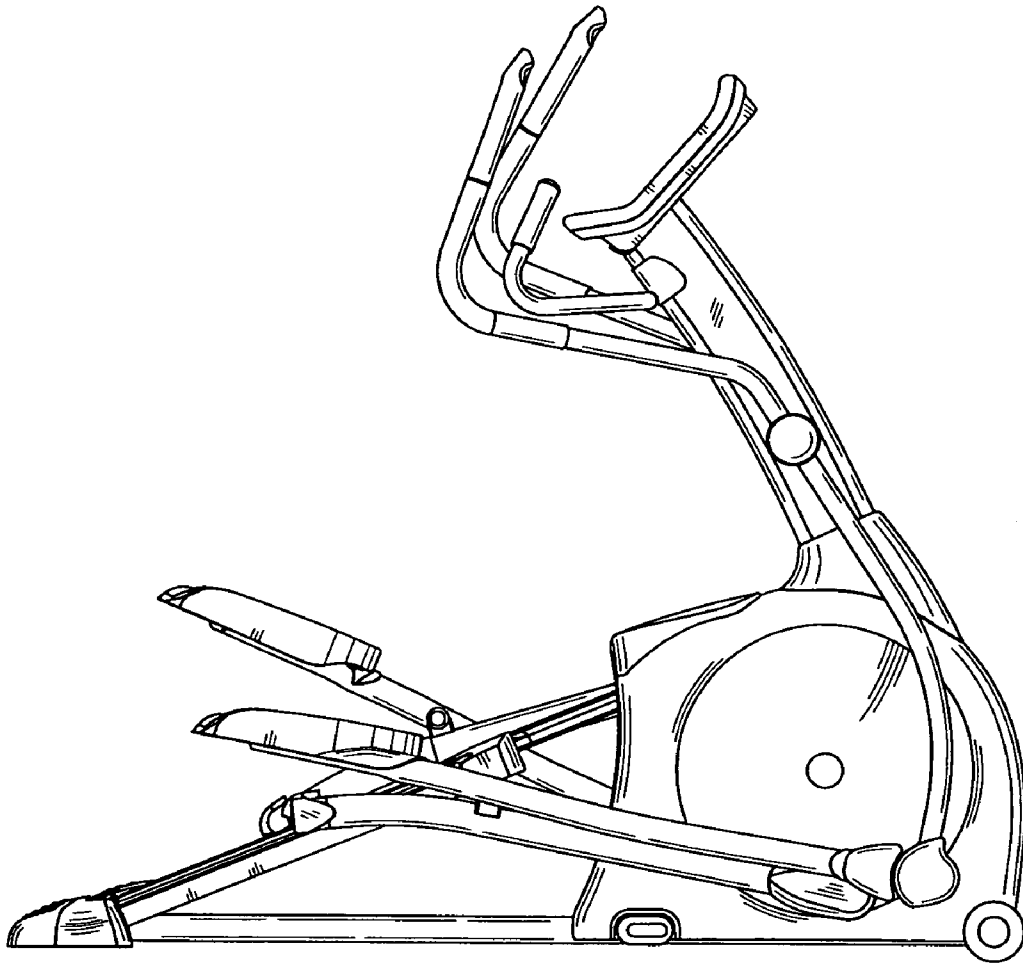


Fig. 2

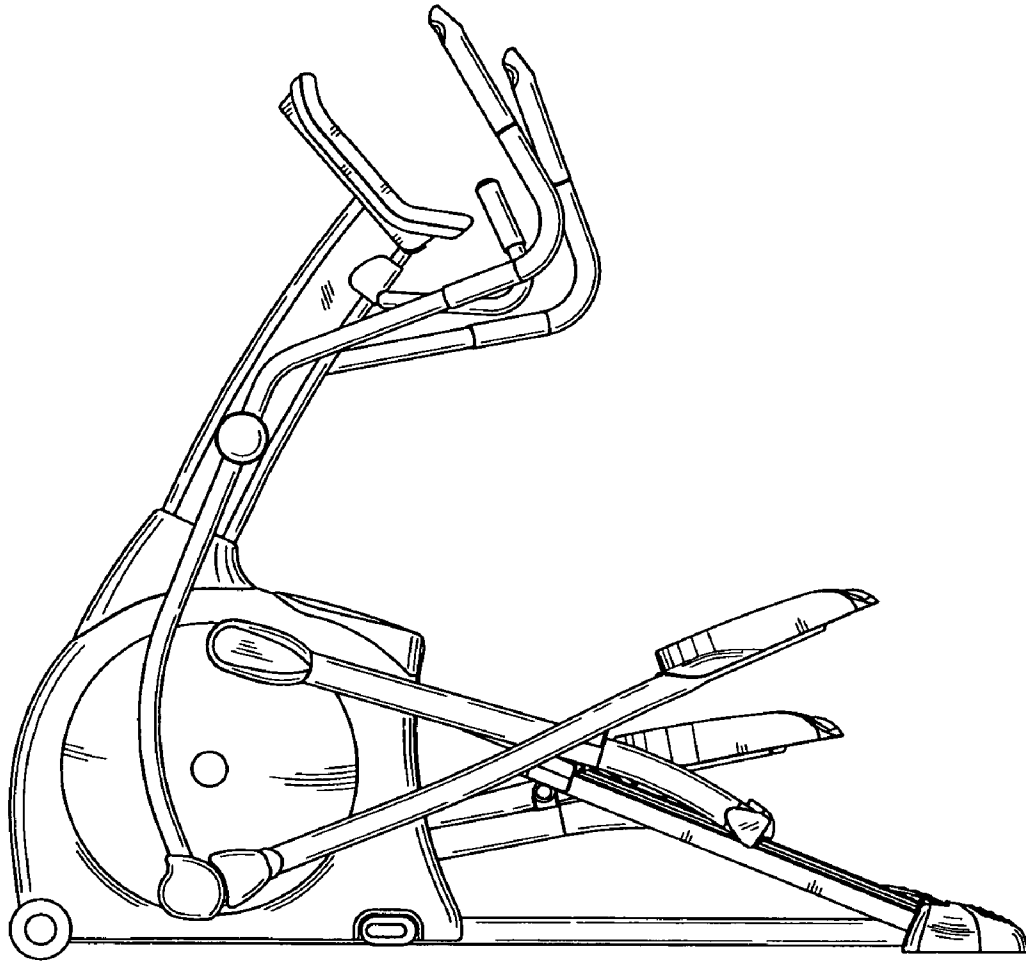


Fig. 3

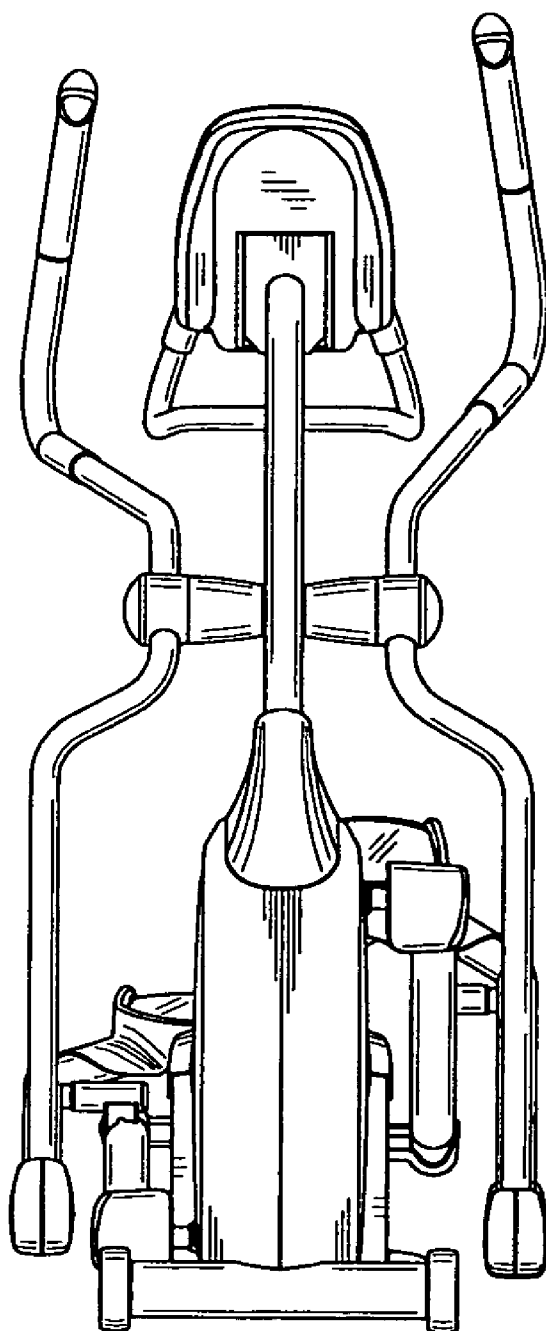


Fig. 4

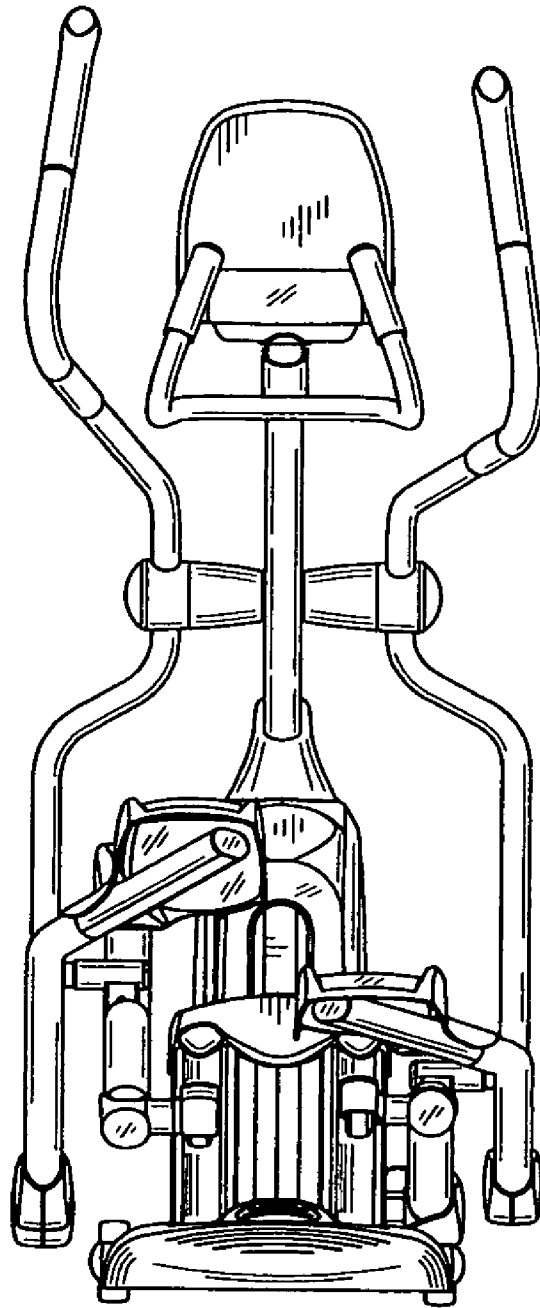


Fig. 5

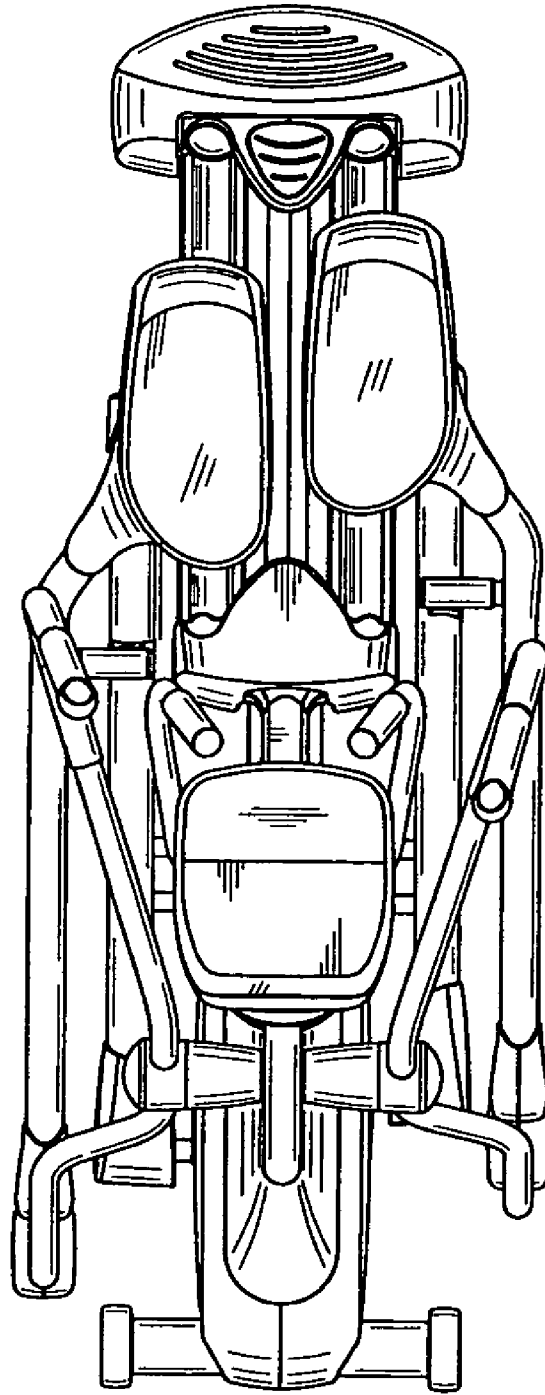


Fig. 6

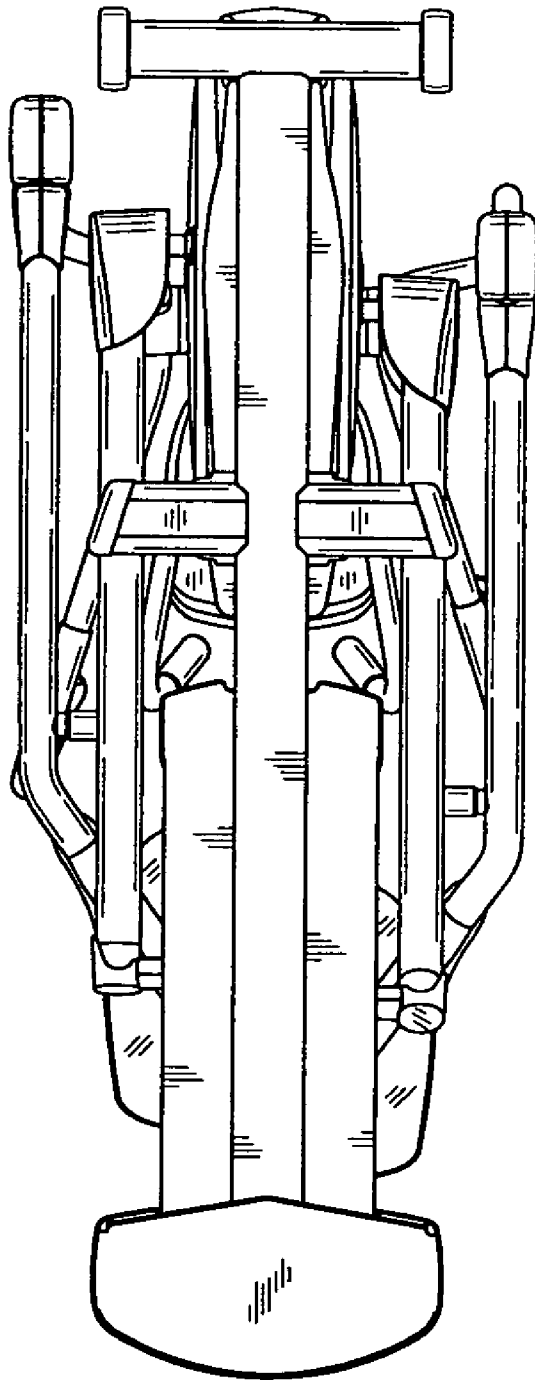


Fig. 7