



US00D466192S

(12) **United States Design Patent** (10) **Patent No.:** **US D466,192 S**
Otero et al. (45) **Date of Patent:** **** Nov. 26, 2002**

(54) **FAUCET CENTER SET**

Primary Examiner—Louis S. Zarfaz

Assistant Examiner—Gregory Andoll

(75) **Inventors:** **Federico G. Otero**, Carmel, IN (US);
Anthony G. Spangler, Greensburg, IN (US)

(74) *Attorney, Agent, or Firm*—Myron B. Kapustij; Lloyd D. Doigan

(73) **Assignee:** **Masco Corporation of Indiana**, Indianapolis, IN (US)

(57) **CLAIM**

(**) **Term:** **14 Years**

The ornamental design for a faucet center set, as shown and described.

(21) **Appl. No.:** **29/152,003**

(22) **Filed:** **Dec. 12, 2001**

DESCRIPTION

(51) **LOC (7) Cl.** **23-01**

FIG. 1 is a front perspective view of the faucet center set showing our new design;

(52) **U.S. Cl.** **D23/242; D23/241; D23/230**

FIG. 2 is a rear perspective view thereof;

(58) **Field of Search** **D23/238-257;**

4/675-678; 137/801

FIG. 3 is a right side elevational view thereof;

FIG. 4 is a front elevational view thereof;

FIG. 5 is a top plan view thereof;

FIG. 6 is a rear elevational view thereof;

FIG. 7 is a left side elevational view thereof; and,

FIG. 8 is a bottom plan view thereof.

The broken line showing of the lift rod and handles in FIG. 1 are for purposes of illustration only and form no part of the claimed design.

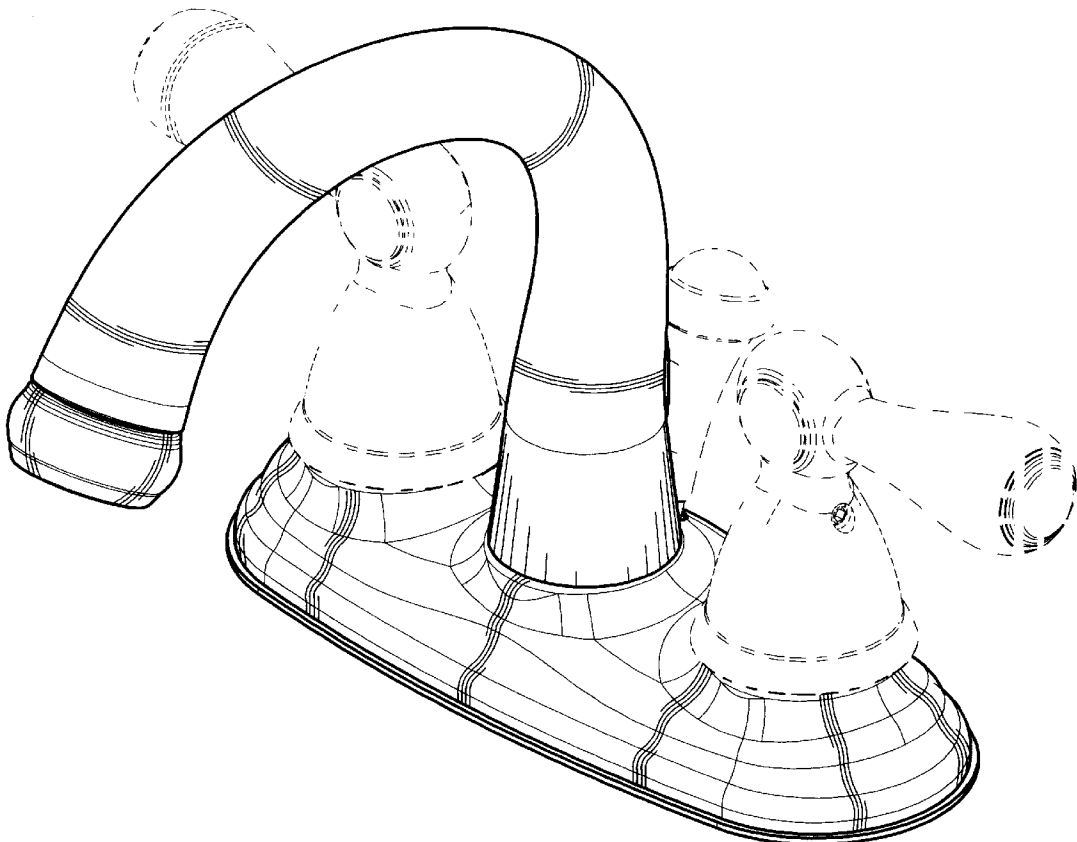
(56) **References Cited**

U.S. PATENT DOCUMENTS

D300,653 S	*	4/1989	Paul	D23/255
D267,110 S	*	11/1992	Arnolds	D23/242
D356,631 S	*	3/1995	Kolada	D23/255
D416,982 S	*	11/1999	Warsawsky et al.	D23/241
D439,953 S	*	4/2001	Lord	D23/241
D448,453 S	*	9/2001	Lord	D23/241

* cited by examiner

1 Claim, 8 Drawing Sheets



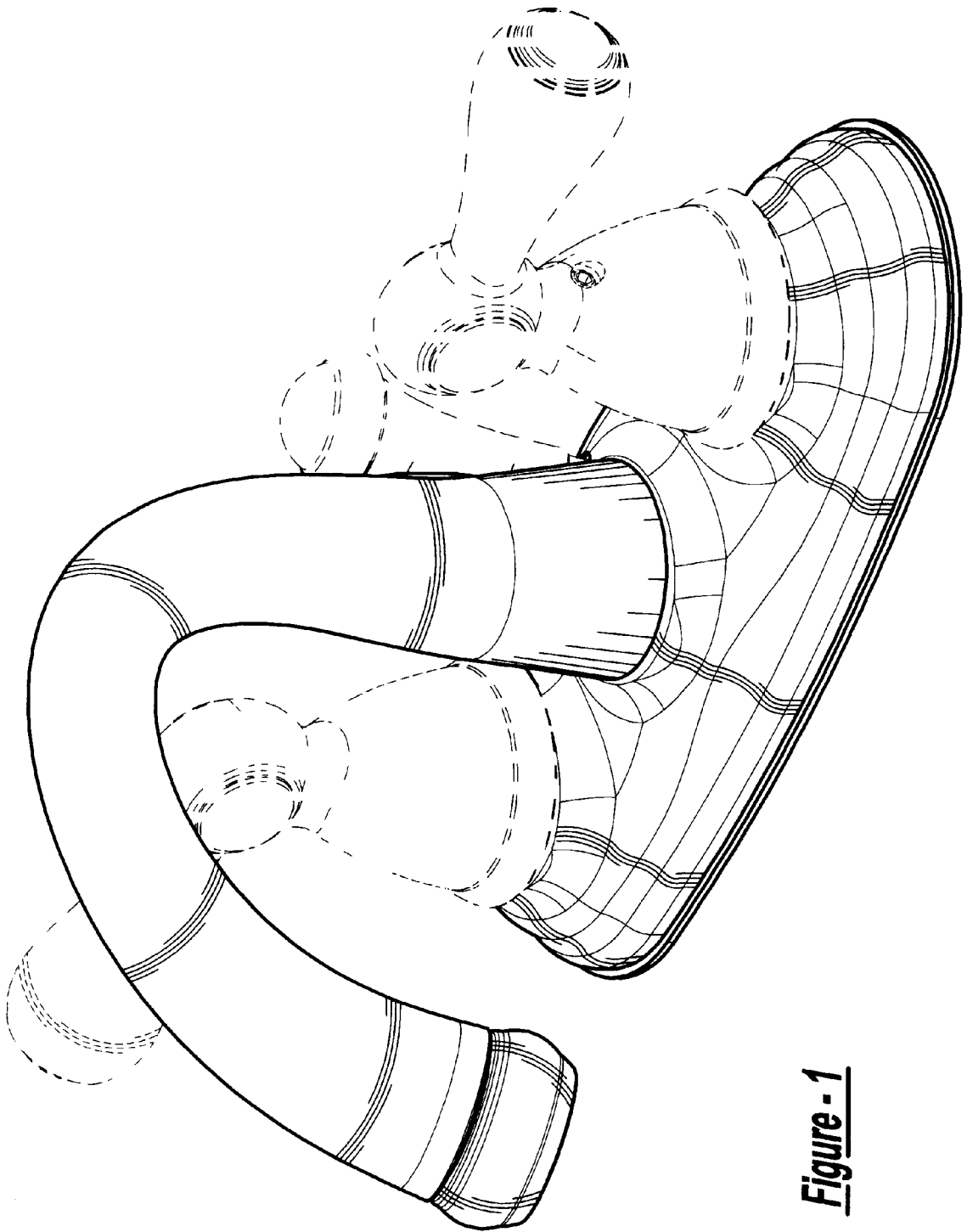
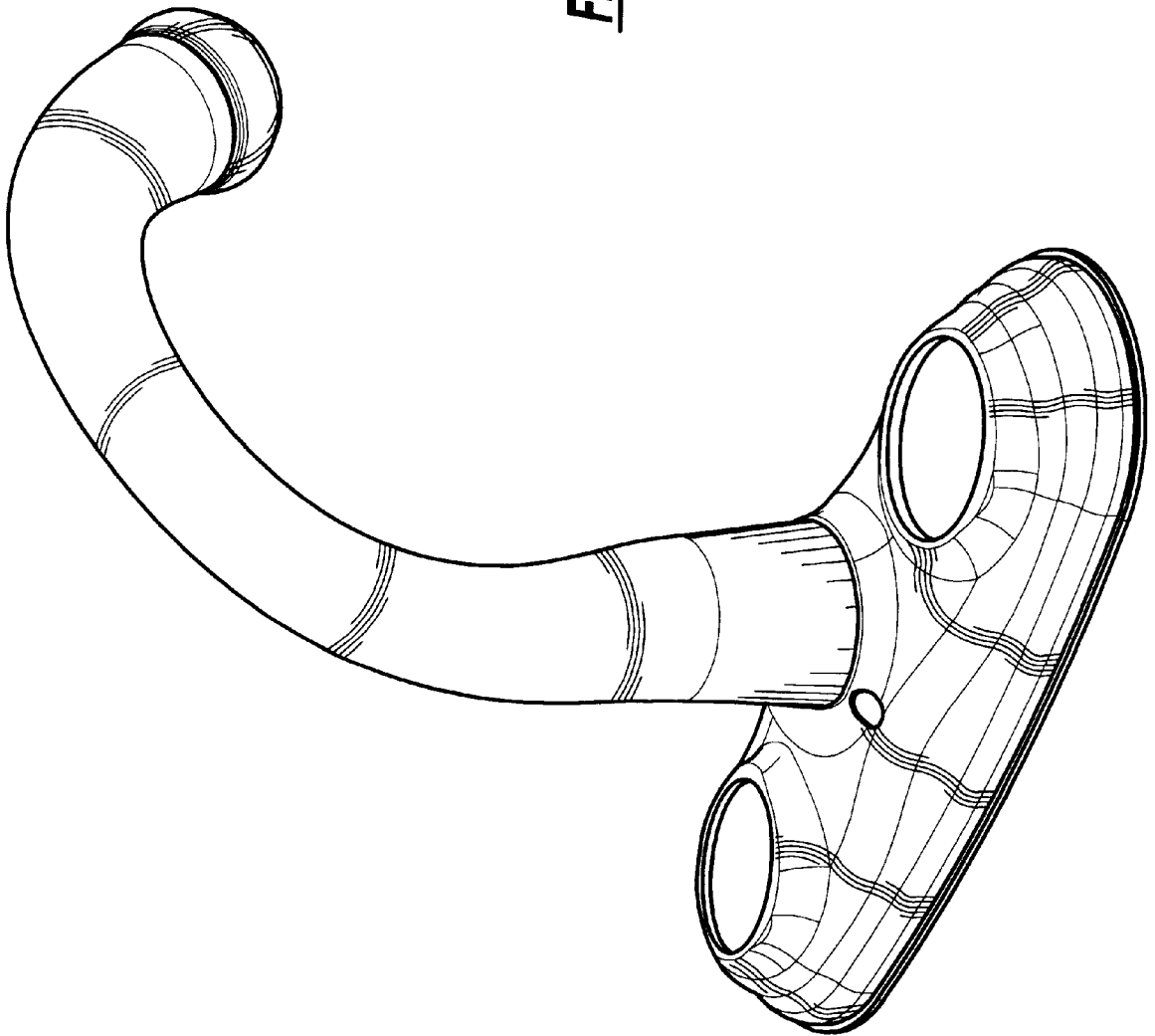


Figure - 1

Figure - 2



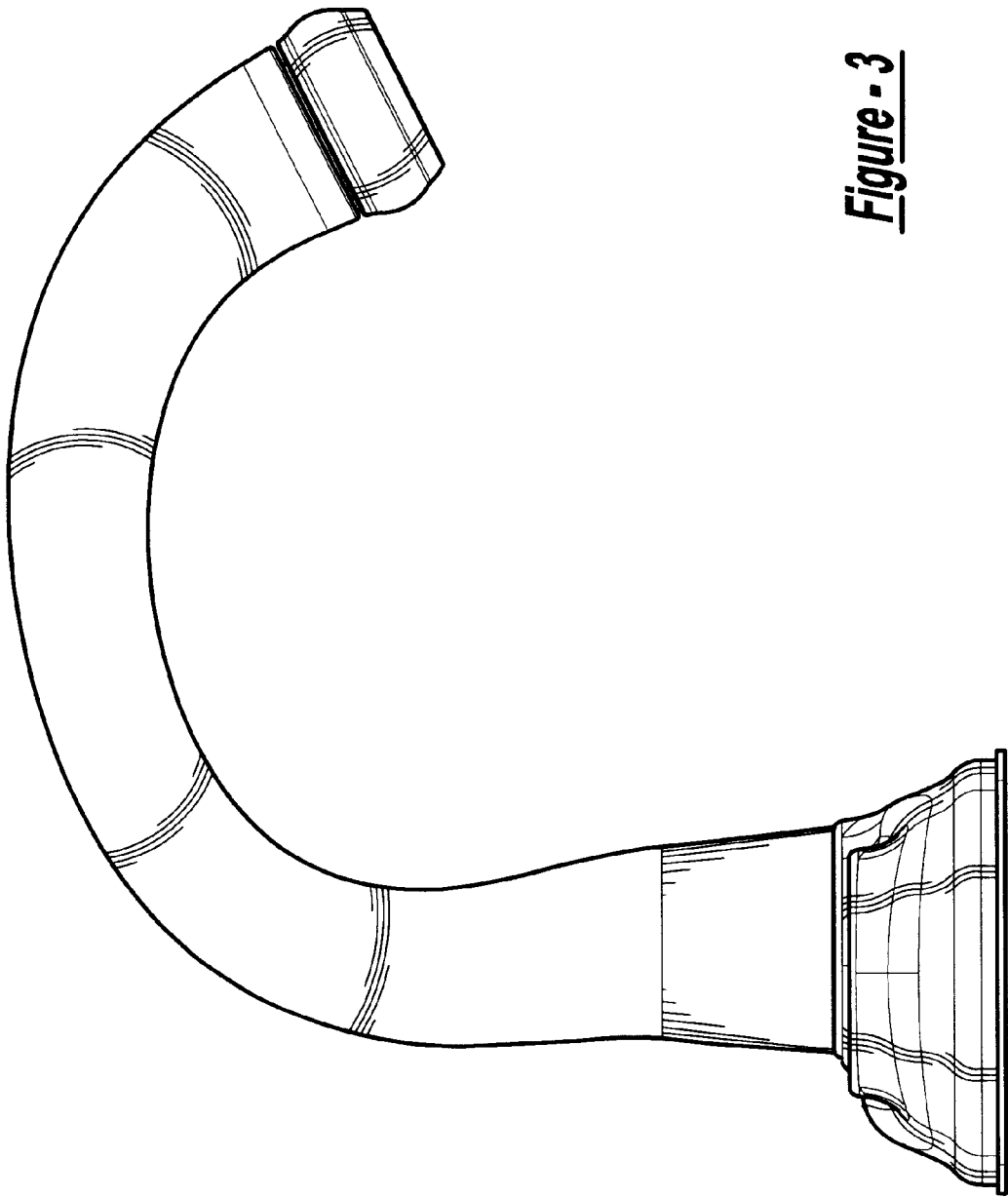
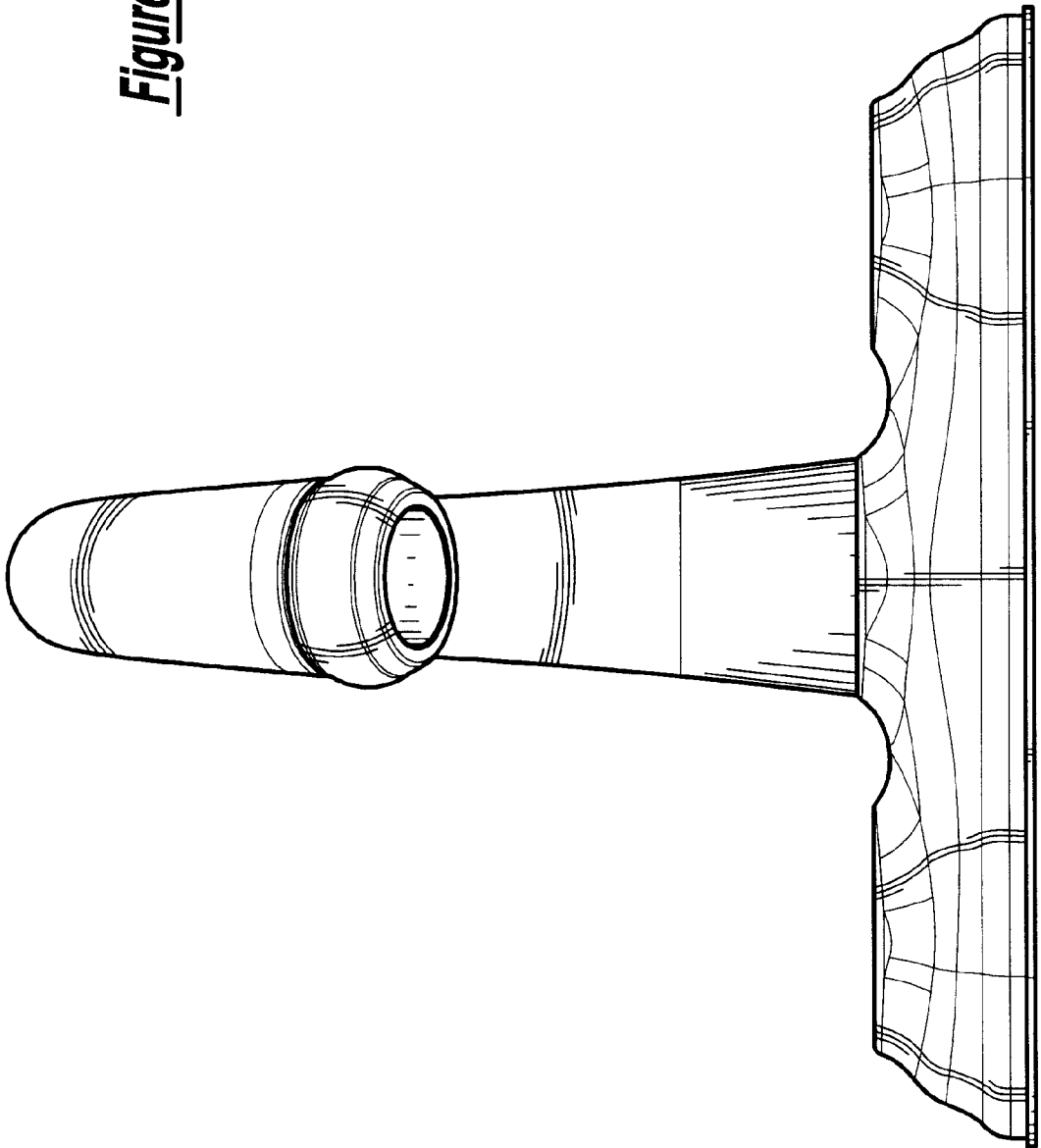


Figure - 3

Figure - 4



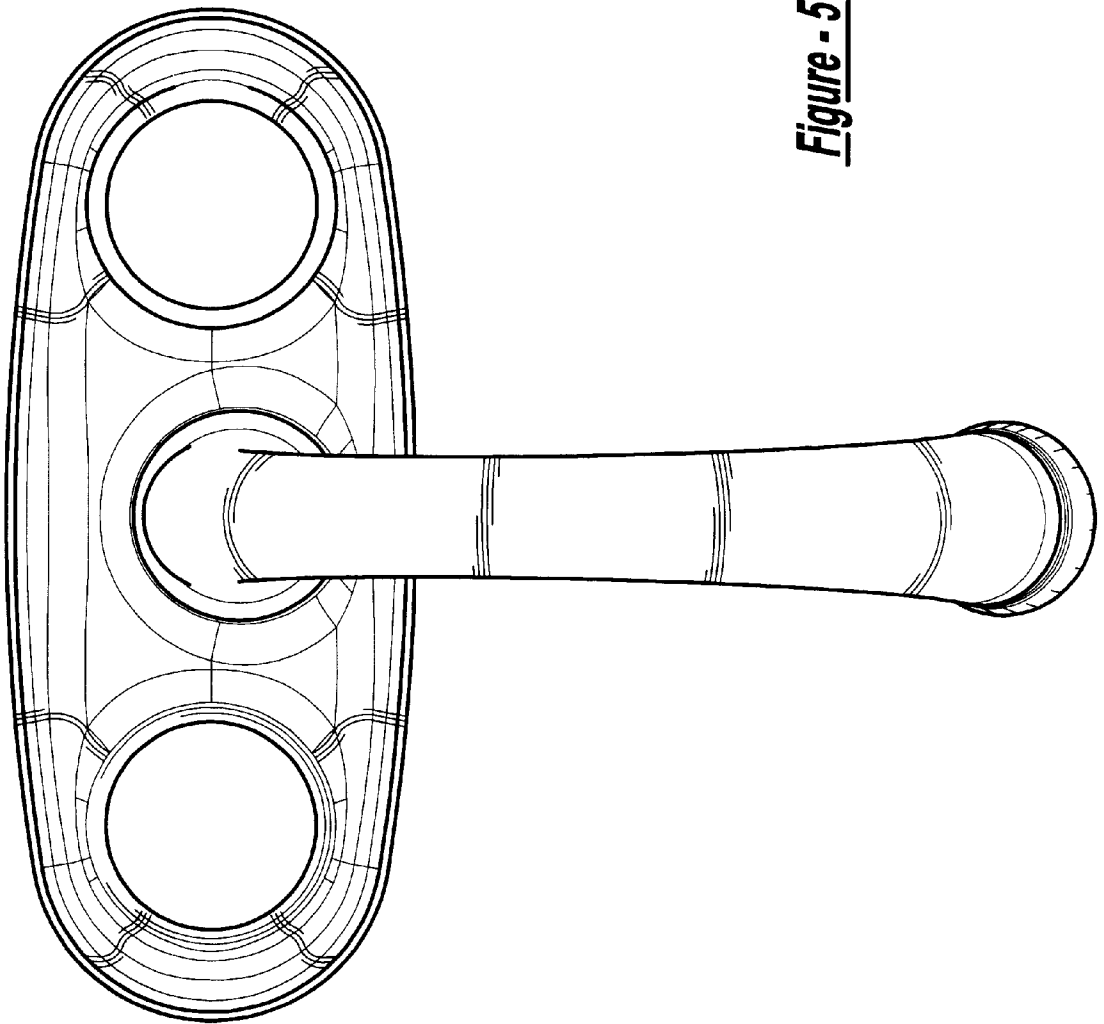


Figure - 5

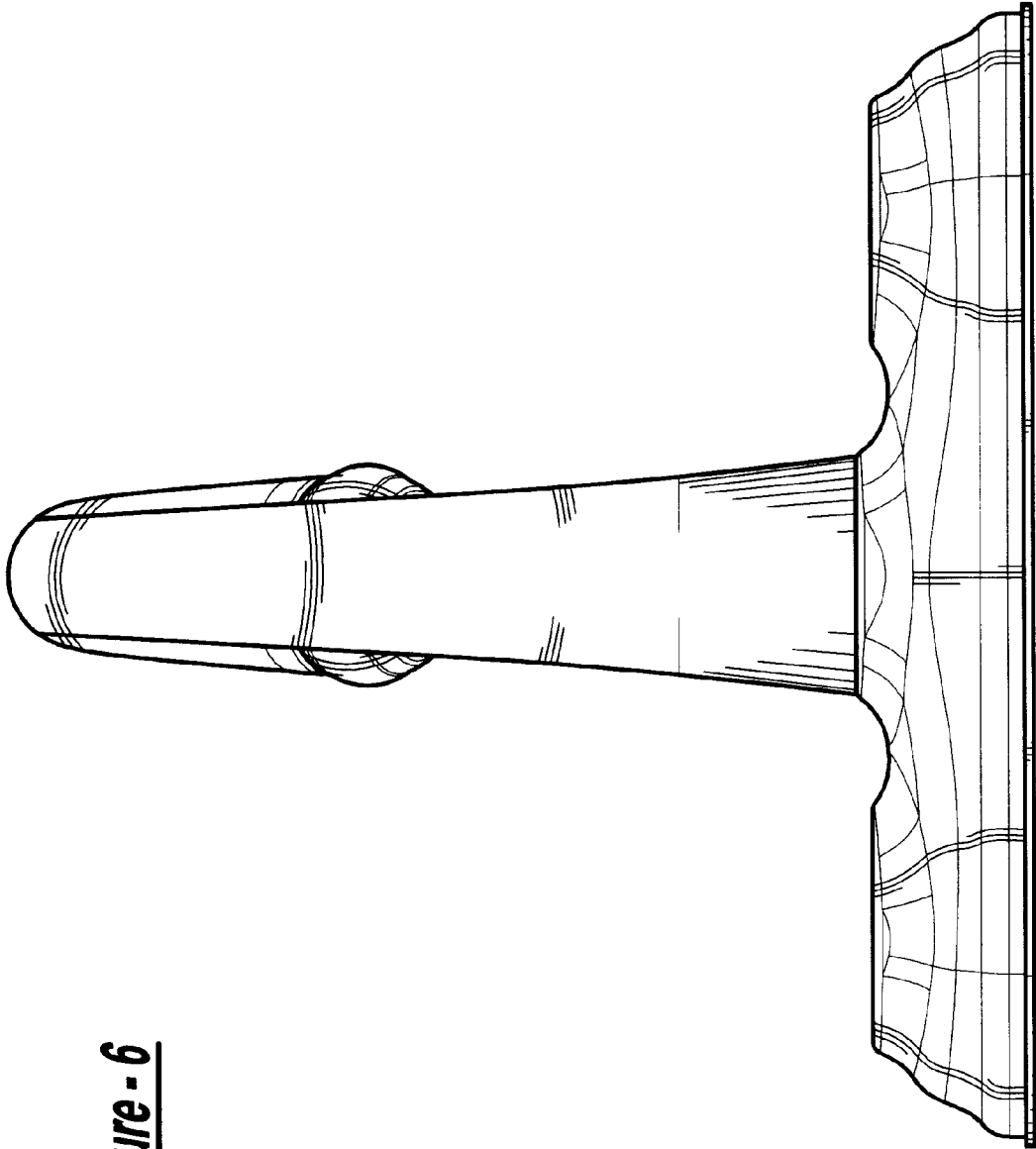


Figure - 6

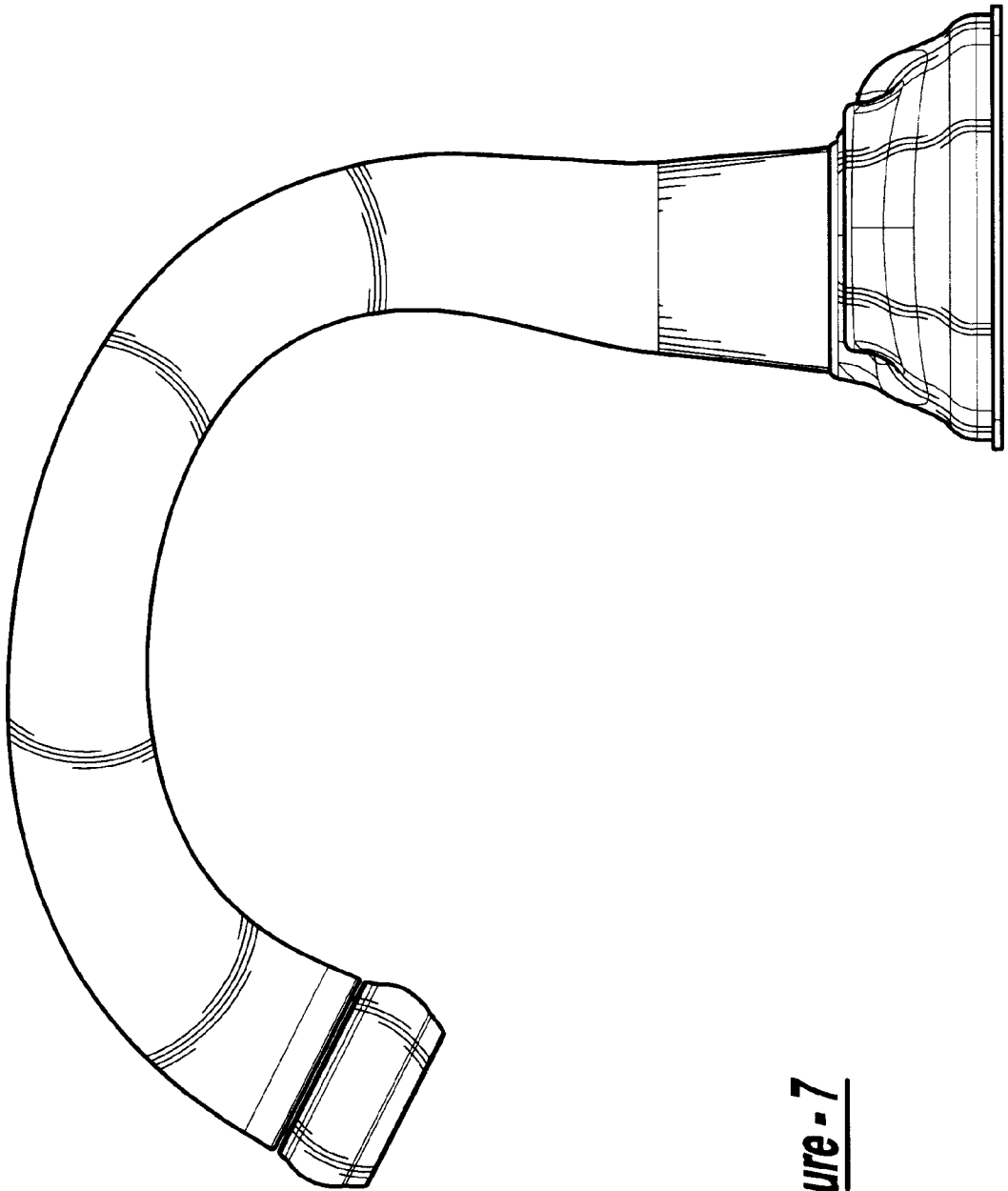


Figure - 7

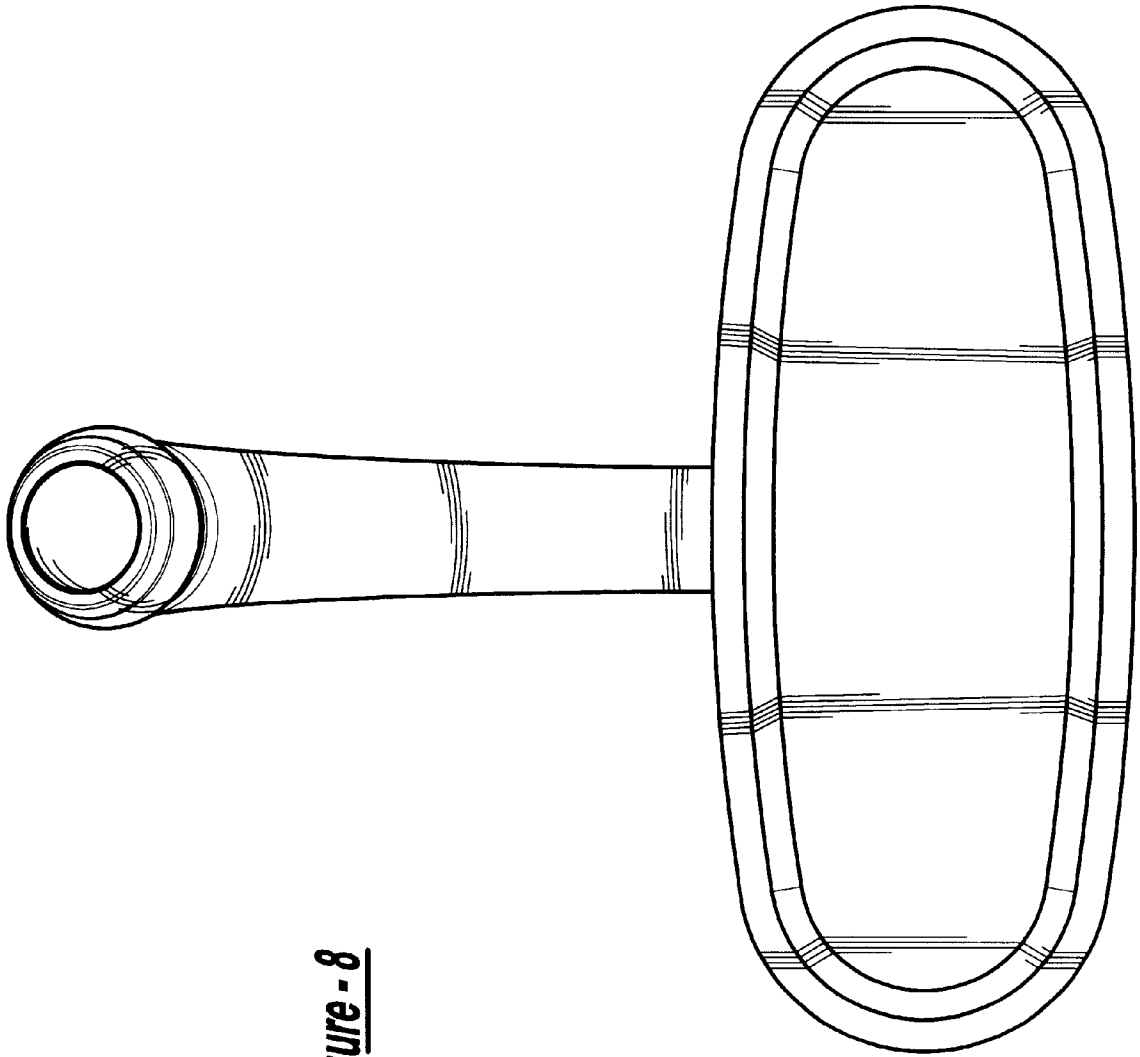


Figure - 8