



US00D855103S

(12) **United States Design Patent**  
**van Slooten**

(10) **Patent No.:** **US D855,103 S**

(45) **Date of Patent:** **\*\* Jul. 30, 2019**

- (54) **MONEY COUNTER**
- (71) Applicant: **SOLID CONTROL HOLDING B.V.,**  
Zoetermeer (NL)
- (72) Inventor: **Diederik van Slooten,** Zoetermeer (NL)
- (73) Assignee: **Solid Control Holding B.V.,**  
Zoetermeer (NL)
- (\*\*) Term: **15 Years**
- (21) Appl. No.: **35/504,966**
- (22) Filed: **Nov. 15, 2017**
- (80) **Hague Agreement Data**  
Int. Filing Date: **Nov. 15, 2017**  
Int. Reg. No.: **DM/098979**  
Int. Reg. Date: **Nov. 15, 2017**  
Int. Reg. Pub. Date: **May 18, 2018**

D274,520	S	*	7/1984	Bressler	.....	D18/49
4,694,963	A	*	9/1987	Takesako	.....	G07D 11/50
						209/534
D294,834	S	*	3/1988	McDonald	.....	D18/3.3
4,875,164	A	*	10/1989	Monfort	.....	G06Q 50/34
						463/25
D338,905	S	*	8/1993	Helgeson	.....	D18/3.3
D369,984	S	*	5/1996	Larsen	.....	D10/97
5,875,259	A	*	2/1999	Mennie	.....	B65H 3/063
						382/135
D427,623	S	*	7/2000	Kuwada	.....	D18/3.1
D439,604	S	*	3/2001	Takagi	.....	D18/3.3
D452,973	S	*	1/2002	Kuwada	.....	D18/3.3
6,493,461	B1	*	12/2002	Mennie	.....	G07D 7/162
						382/135
6,578,713	B1	*	6/2003	Matsuura	.....	B65H 29/60
						209/534
D476,679	S	*	7/2003	Gonzalez	.....	D18/3.3
6,782,987	B1	*	8/2004	Abe	.....	G07D 11/50
						194/207
D517,115	S	*	3/2006	Kuwada	.....	D18/3.3
D646,711	S	*	10/2011	Funato	.....	D18/3.3
D677,593	S	*	3/2013	Shih	.....	D10/97
9,141,876	B1	*	9/2015	Jones	.....	G06K 9/60
D754,786	S	*	4/2016	Tiessens	.....	D18/3.3

(Continued)

*Primary Examiner* — Richard E Chilcot

- (51) **LOC (11) Cl.** ..... **18-01**
- (52) **U.S. Cl.**  
USPC ..... **D18/3.3; D10/97**  
CPC ..... **G07D 11/50** (2019.01)
- (58) **Field of Classification Search**  
USPC ..... D18/3.1–3.3, 4.1–4.4, 12, 12.3, 2.2, 46,  
D18/47; D14/462, 469; D10/96, 97;  
D99/28, 34, 35, 43, 99; D19/65, 86, 100  
CPC ..... G07D 11/0003; G07D 11/0021; G07D  
11/0042; G07D 11/0081; G07D 11/0084;  
G07D 11/00; G07D 11/0006; G07D  
11/0009; G07D 11/50; G07G 1/00; G07G  
1/0009; G07G 1/0036; G07G 1/10; G07G  
1/12  
See application file for complete search history.

(57) **CLAIM**

The ornamental design for a money counter, as shown and described.

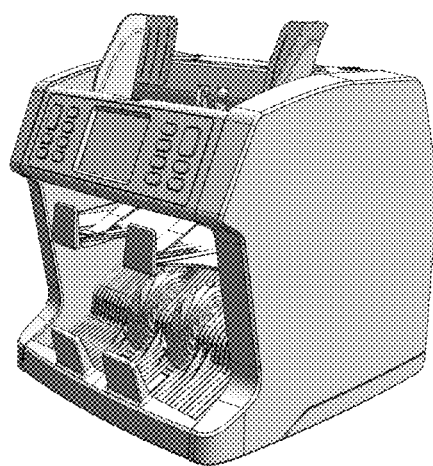
**DESCRIPTION**

- 1. Money counter
- 1.1 : Perspective
- 1.2 : Back
- 1.3 : Front
- 1.4 : Side view
- 1.5 : Top view

The reproductions depict a device for counting money; the views consist of 1.1: perspective, front view; 1.2: back view; 1.3: front view; 1.4: side view and 1.5: top view; one side view is omitted because it is a mirror image of side view 1.4.

**1 Claim, 5 Drawing Sheets**

- (56) **References Cited**  
U.S. PATENT DOCUMENTS  
D252,074 S \* 6/1979 Hams ..... D10/97  
D264,847 S \* 6/1982 DiBlasio ..... D10/97



(56)

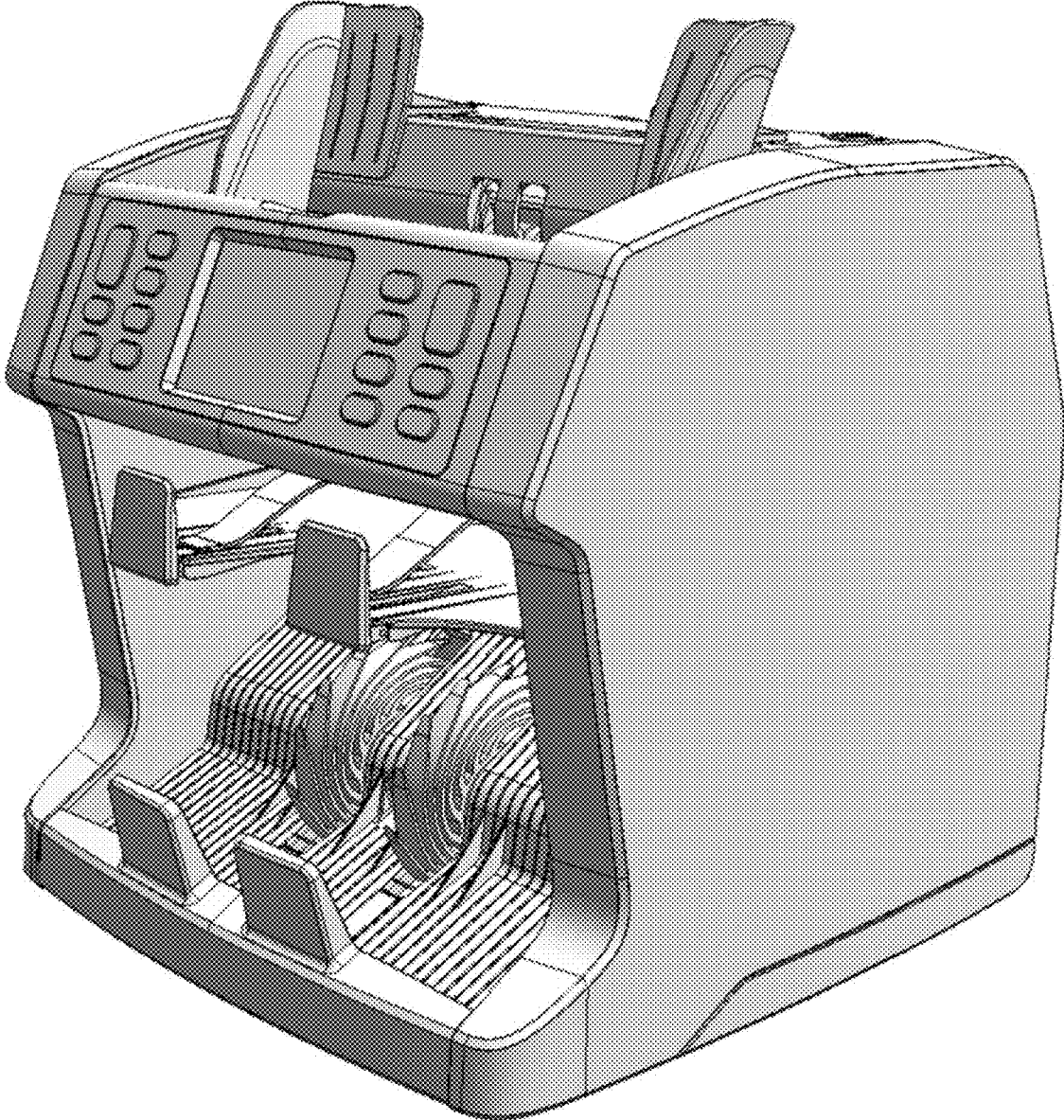
**References Cited**

## U.S. PATENT DOCUMENTS

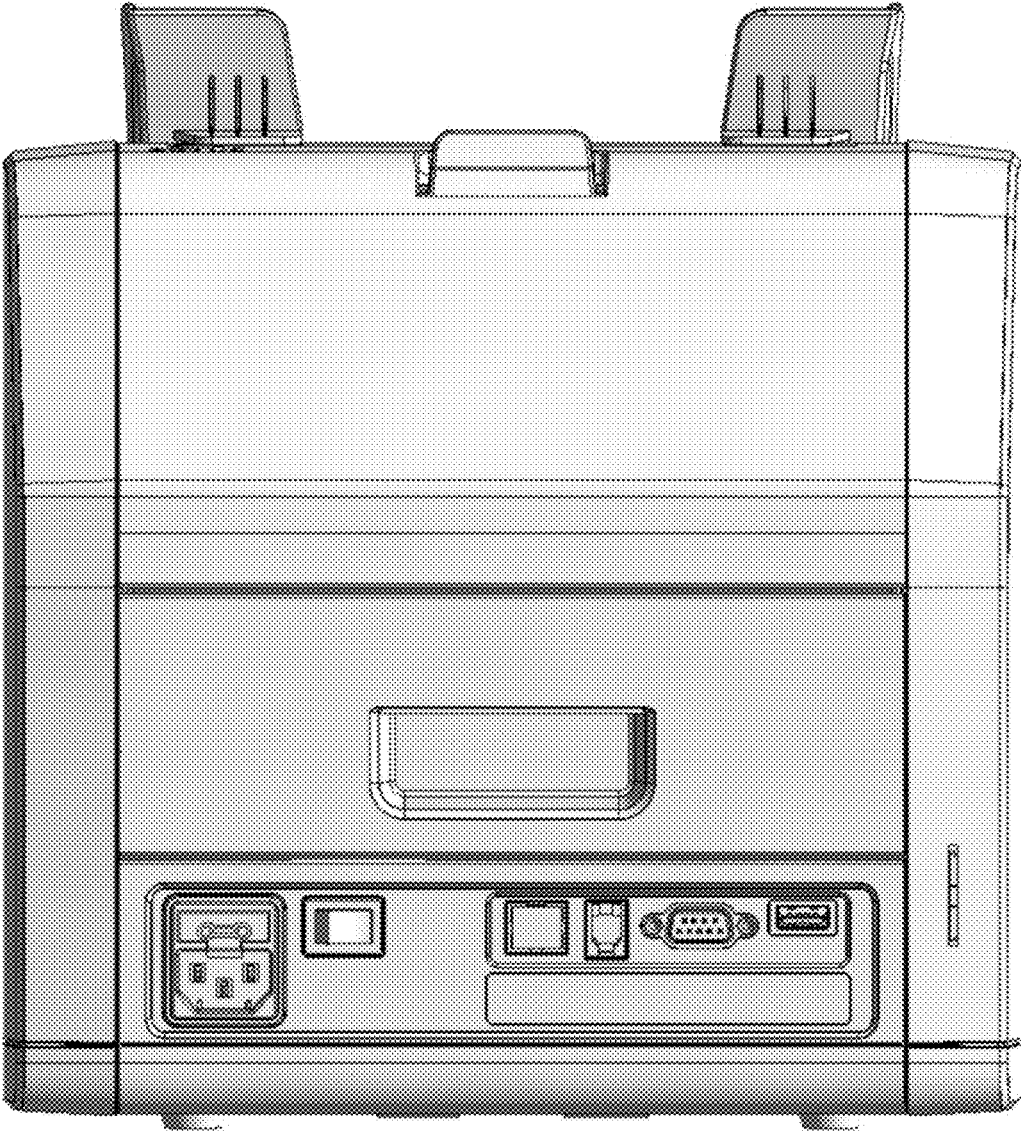
D767,667	S *	9/2016	van Slooten .....	D10/97
D767,668	S *	9/2016	van Slooten .....	D10/97
2002/0015145	A1 *	2/2002	Numata .....	G07D 7/121
				356/71
2002/0153412	A1 *	10/2002	Numata .....	G07D 7/04
				235/375
2009/0028285	A1 *	1/2009	Morino .....	G07D 11/00
				377/8
2009/0090660	A1 *	4/2009	Matsuura .....	G07D 11/00
				209/534
2009/0188974	A1 *	7/2009	Haycock .....	G07D 7/00
				235/379
2010/0320057	A1 *	12/2010	Sato .....	G07D 7/2075
				194/302
2010/0320678	A1 *	12/2010	Suzuki .....	G07D 11/50
				271/265.01
2015/0138343	A1 *	5/2015	Keh .....	G07D 11/225
				348/131

\* cited by examiner

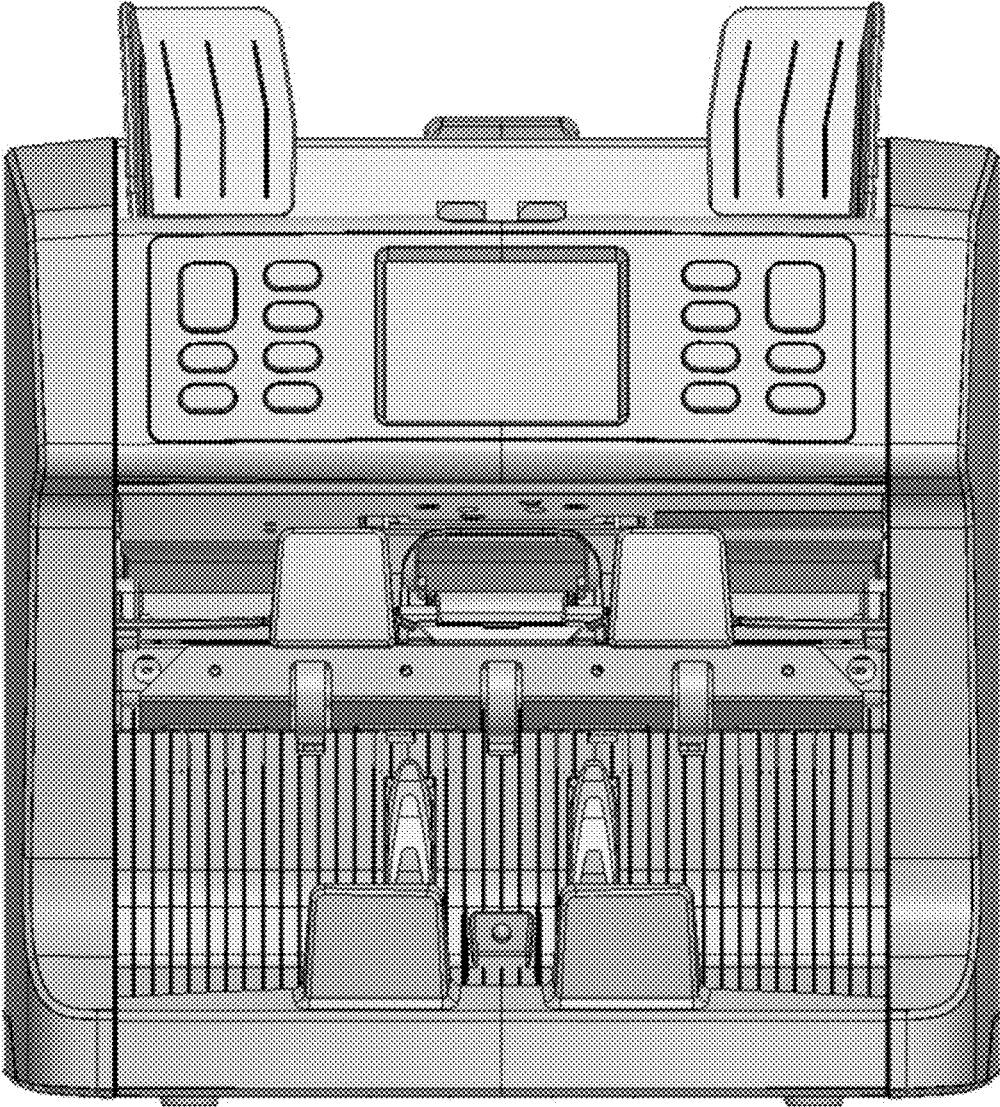
1.1



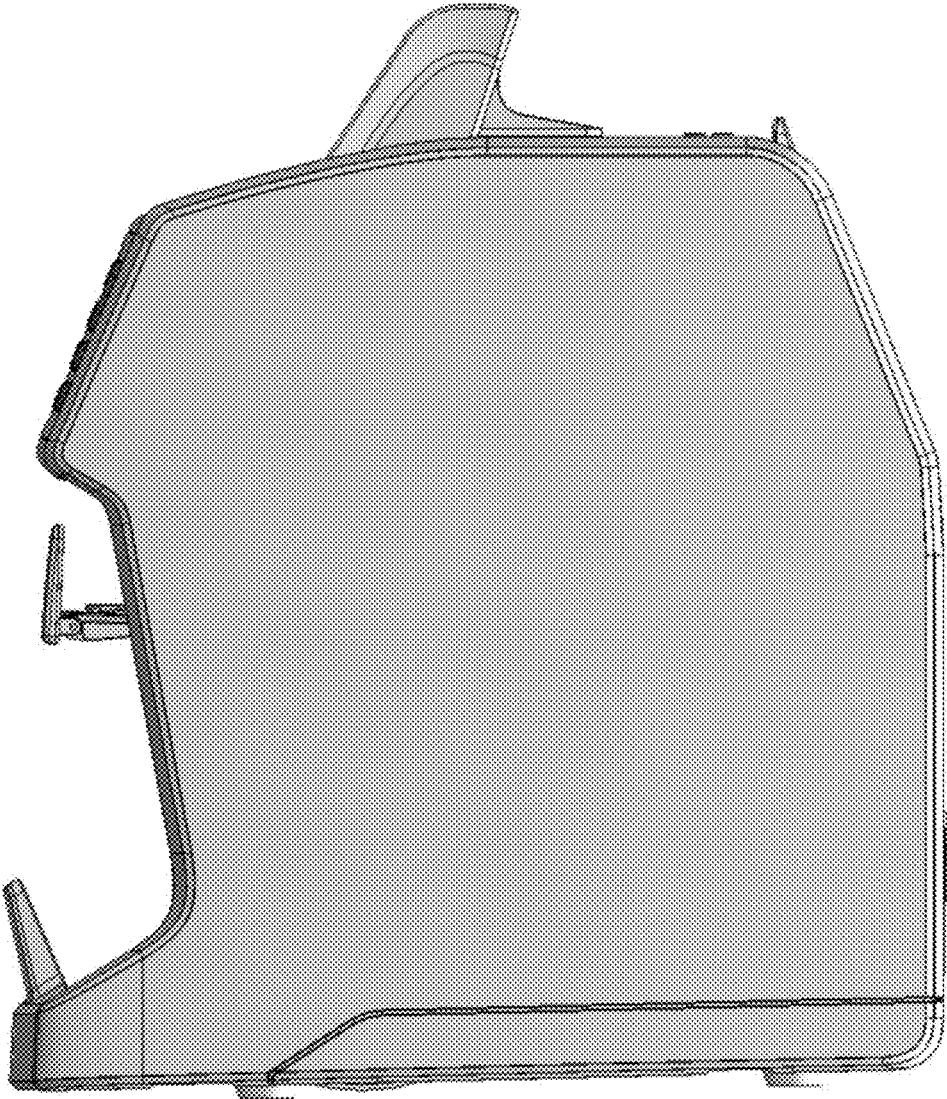
1.2



1.3



1.4



1.5

