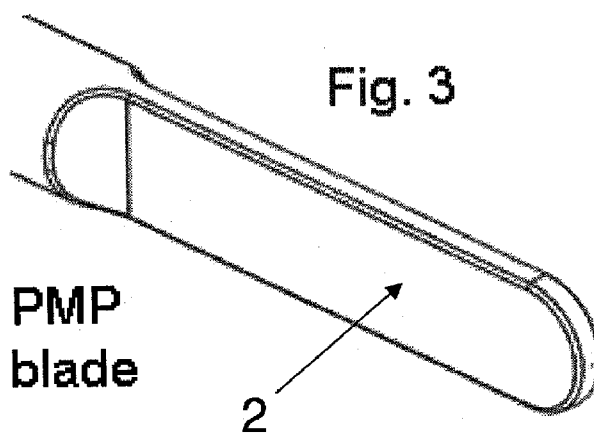




- (51) International Patent Classification:
A61B 8/14 (2006.01)
- (21) International Application Number:
PCT/IL2012/000368
- (22) International Filing Date:
1 November 2012 (01.11.2012)
- (25) Filing Language: English
- (26) Publication Language: English
- (30) Priority Data:
61/554,012 1 November 2011 (01.11.2011) US
- (71) Applicant: CORASSIST CARDIOVASCULAR LTD.
[IL/IL]; 32 Maskit St., P.O.Box 12571, 46733 Herzliya
Pituach (IL).
- (72) Inventors: MEYER-BRODNITZ, Gideon; P.O. Box 407,
20600 Yokneam Moshava (IL). LIPPERMAN, Michal;
14/2 Avrotzki Street, 44650 Kfar Saba (IL). ROSEN,
Lior; 5/10 Elharizi Street, 64244 Tel Aviv (IL). TAL,
Yaron; 35 Ha'anafa Street, 40600 Tel Mond (IL). LAK,
Lea; 11/6 Epshtein Street, 62962 Tel Aviv (IL). SHER-
MAN, Amir; 9/2 Shoham Street, 70700 Gedera (IL).
- (74) Agents: PYERNIK-RUTMAN et al.; P.O. Box 10012,
84001 Beer-Sheva (IL).
- (81) Designated States (unless otherwise indicated, for every
kind of national protection available): AE, AG, AL, AM,
AO, AT, AU, AZ, BA, BB, BG, BH, BN, BR, BW, BY,
BZ, CA, CH, CL, CN, CO, CR, CU, CZ, DE, DK, DM,
DO, DZ, EC, EE, EG, ES, FI, GB, GD, GE, GH, GM, GT,
HN, HR, HU, ID, IL, IN, IS, JP, KE, KG, KM, KN, KP,
KR, KZ, LA, LC, LK, LR, LS, LT, LU, LY, MA, MD,
ME, MG, MK, MN, MW, MX, MY, MZ, NA, NG, NI,
NO, NZ, OM, PA, PE, PG, PH, PL, PT, QA, RO, RS, RU,
RW, SC, SD, SE, SG, SK, SL, SM, ST, SV, SY, TH, TJ,
TM, TN, TR, TT, TZ, UA, UG, US, UZ, VC, VN, ZA,
ZM, ZW.
- (84) Designated States (unless otherwise indicated, for every
kind of regional protection available): ARIPO (BW, GH,
GM, KE, LR, LS, MW, MZ, NA, RW, SD, SL, SZ, TZ,
UG, ZM, ZW), Eurasian (AM, AZ, BY, KG, KZ, RU, TJ,
TM), European (AL, AT, BE, BG, CH, CY, CZ, DE, DK,
EE, ES, FI, FR, GB, GR, HR, HU, IE, IS, IT, LT, LU, LV,
MC, MK, MT, NL, NO, PL, PT, RO, RS, SE, SI, SK, SM,
TR), OAPI (BF, BJ, CF, CG, CI, CM, GA, GN, GQ, GW,
ML, MR, NE, SN, TD, TG).
- Published:
— with international search report (Art. 21(3))
- (88) Date of publication of the international search report:
18 June 2015

(54) Title: A SYSTEM AND METHOD FOR ASSISTING THE POSITIONING OF MEDICAL INSTRUMENTS



(57) Abstract: The present invention relates to a device, system and method for assisting the positioning of medical instruments. The system comprises a hollow tubular member such as a sheath or sleeve comprising a rotational indicator element. The system further comprises an elongated rod having a blade on its distal end and comprising a rotational indicator element (aligned with the blade orientation) and a stopper close to its proximal end.



INTERNATIONAL SEARCH REPORT

International application No.

PCT/IL2012/000368

A. CLASSIFICATION OF SUBJECT MATTER

IPC(8) - A61B 8/14 (2013.01)

USPC - 600/450

According to International Patent Classification (IPC) or to both national classification and IPC

B. FIELDS SEARCHED

Minimum documentation searched (classification system followed by classification symbols)

IPC(8) - A61B 5/05, 6/00, 8/00, 8/14; A61M 5/00 (2013.01)

USPC - 382/128, 130, 131, 132; 600/424,431, 443, 444, 445, 446, 449, 450; 604/117; 606/108

Documentation searched other than minimum documentation to the extent that such documents are included in the fields searched

CPC - A61B 5/06, 5/065, 8/08, 8/0858, 8/0883, 19/3244; A61F 2/95; A61M 5/46; G01S 15/06, 15/8993; G06F 19/321; G06T 7/0012 (2013.01)

Electronic data base consulted during the international search (name of data base and, where practicable, search terms used)

Orbit.com, Google Patents, Google Scholar

C. DOCUMENTS CONSIDERED TO BE RELEVANT

Category*	Citation of document, with indication, where appropriate, of the relevant passages	Relevant to claim No.
Y	US 2004/0073088 A1 (FRIEDMAN et al) 15 April 2004 (15.04.2004) entire document	1-19, 21-27
Y	US 5,217,024 A (DORSEY et al) 08 June 1993 (08.06.1993) entire document	1-27
Y	US 2003/0195423 A1 (GIBBS et al) 16 October 2003 (16.10.2003) entire document	4, 5, 7, 21-26
Y	US 2011/0245800 A1 (KASSAB et al) 06 October 2011 (06.10.2011) entire document	7, 8
Y	US 5,081,997 A (BOSLEY, JR. et al) 21 January 1992 (21.01.1992) entire document	9
Y	US 2007/0038097 A1 (CRAWFORD, JR. et al) 15 February 2007 (15.02.2007) entire document	10
Y	US 2002/0013548 A1 (HINCHLIFFE) 31 January 2002 (31.01.2002) entire document	14, 20
Y	US 2005/0165357 A1 (MCGUCKIN, JR. et al) 28 July 2005 (28.07.2005) entire document	17
Y	US 5,954,649 A (CHIA et al) 21 September 1999 (21.09.1999) entire document	22-24, 26

Further documents are listed in the continuation of Box C.

* Special categories of cited documents:

"A" document defining the general state of the art which is not considered to be of particular relevance

"E" earlier application or patent but published on or after the international filing date

"L" document which may throw doubts on priority claim(s) or which is cited to establish the publication date of another citation or other special reason (as specified)

"O" document referring to an oral disclosure, use, exhibition or other means

"P" document published prior to the international filing date but later than the priority date claimed

"T" later document published after the international filing date or priority date and not in conflict with the application but cited to understand the principle or theory underlying the invention

"X" document of particular relevance; the claimed invention cannot be considered novel or cannot be considered to involve an inventive step when the document is taken alone

"Y" document of particular relevance; the claimed invention cannot be considered to involve an inventive step when the document is combined with one or more other such documents, such combination being obvious to a person skilled in the art

"&" document member of the same patent family

Date of the actual completion of the international search

07 February 2013

Date of mailing of the international search report

22 FEB 2013

Name and mailing address of the ISA/US

Mail Stop PCT, Attn: ISA/US, Commissioner for Patents
P.O. Box 1450, Alexandria, Virginia 22313-1450

Facsimile No. 571-273-3201

Authorized officer:

Blaine R. Copenheaver

PCT Helpdesk: 571-272-4300

PCT OSP: 571-272-7774