

(19) World Intellectual Property Organization  
International Bureau



(43) International Publication Date  
16 May 2002 (16.05.2002)

PCT

(10) International Publication Number  
WO 02/038952 A3

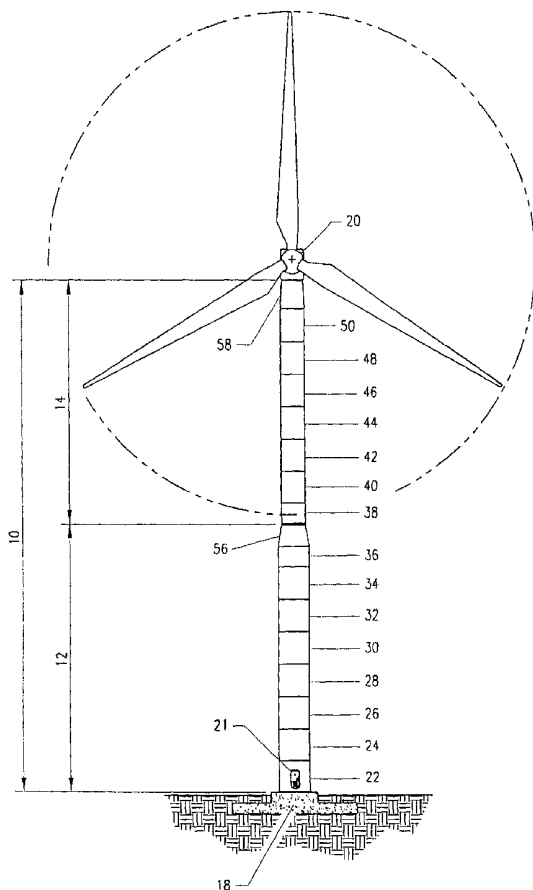
- (51) International Patent Classification<sup>7</sup>: E04H 12/00, F03D 1/06 Patrick, C.; 4426 Tibbs Street, Shreveport, LA 71105 (US).
- (21) International Application Number: PCT/US01/42931 (74) Agent: BORSARI, Peter, A.; Borsari & Associates, Suite 206, 2001 Jefferson Davis Highway, Arlington, VA 22202 (US).
- (22) International Filing Date: 9 November 2001 (09.11.2001)
- (25) Filing Language: English
- (26) Publication Language: English
- (30) Priority Data: 09/711,211 9 November 2000 (09.11.2000) US
- (71) Applicant: BEAIRD INDUSTRIES, INC. [US/US]; 601 Benton Kelly Street, Shreveport, LA 71106-7198 (US).
- (72) Inventors: MALISZEWSKI, Leonard, P.; 9901 Bayou Bend Drive, Shreveport, LA 71115 (US). LASHLEY,

(81) Designated States (*national*): AE, AG, AL, AM, AT, AU, AZ, BA, BB, BG, BR, BY, BZ, CA, CH, CN, CO, CR, CU, CZ, DE, DK, DM, DZ, EC, EE, ES, FI, GB, GD, GE, GH, GM, HR, HU, ID, IL, IN, IS, JP, KE, KG, KP, KR, KZ, LC, LK, LR, LS, LT, LU, LV, MA, MD, MG, MK, MN, MW, MX, MZ, NO, NZ, OM, PH, PL, PT, RO, RU, SD, SE, SG, SI, SK, SL, TJ, TM, TR, TT, TZ, UA, UG, UZ, VN, YU, ZA, ZW.

(84) Designated States (*regional*): ARIPO patent (GH, GM, KE, LS, MW, MZ, SD, SL, SZ, TZ, UG, ZW), Eurasian patent (AM, AZ, BY, KG, KZ, MD, RU, TJ, TM), European patent (AT, BE, CH, CY, DE, DK, ES, FI, FR, GB, GR, IE,

[Continued on next page]

(54) Title: WIND TOWER



(57) Abstract: A tower for a wind generator made up of a plurality of sections to which are affixed a plurality of conical transition rings, a plurality of L-shaped flanges and a T-shaped flange.



WO 02/038952 A3



IT, LU, MC, NL, PT, SE, TR), OAPI patent (BF, BJ, CF, CG, CI, CM, GA, GN, GQ, GW, ML, MR, NE, SN, TD, TG).

**(88) Date of publication of the international search report:**

1 August 2002

**Published:**

- *with international search report*
- *before the expiration of the time limit for amending the claims and to be republished in the event of receipt of amendments*

*For two-letter codes and other abbreviations, refer to the "Guidance Notes on Codes and Abbreviations" appearing at the beginning of each regular issue of the PCT Gazette.*

**INTERNATIONAL SEARCH REPORT**

International application No.

PCT/US01/42931

**A. CLASSIFICATION OF SUBJECT MATTER**

IPC(7) : E04H 12/00; F03D 1/06  
 US CL : 52/726.1; 52/732.1; 52/736.4; 290/44

According to International Patent Classification (IPC) or to both national classification and IPC

**B. FIELDS SEARCHED**

Minimum documentation searched (classification system followed by classification symbols)  
 U.S. : 52/726.1; 52/732.1; 52/736.4; 290/44; 52/40; 52/296

Documentation searched other than minimum documentation to the extent that such documents are included in the fields searched

Electronic data base consulted during the international search (name of data base and, where practicable, search terms used)

**C. DOCUMENTS CONSIDERED TO BE RELEVANT**

Category *	Citation of document, with indication, where appropriate, of the relevant passages	Relevant to claim No.
A	US 4,565,929 A (Baskin et al.) 21 January 1986, Entire Document	1-18
A	US 4,272,929 A (Hanson) 16 June 1981, Entire Document	1
A	US 5,819,487 A (Bull et al.) 13 October 1998, Entire Document	1-10
A	US 4,166,347 A (Pohlman et al.) 4 September 1979, Entire Document	1-11

Further documents are listed in the continuation of Box C.

See patent family annex.

* Special categories of cited documents:	"T"
"A" document defining the general state of the art which is not considered to be of particular relevance	later document published after the international filing date or priority date and not in conflict with the application but cited to understand the principle or theory underlying the invention
"E" earlier application or patent published on or after the international filing date	"X" document of particular relevance; the claimed invention cannot be considered novel or cannot be considered to involve an inventive step when the document is taken alone
"L" document which may throw doubts on priority claim(s) or which is cited to establish the publication date of another citation or other special reason (as specified)	"Y" document of particular relevance; the claimed invention cannot be considered to involve an inventive step when the document is combined with one or more other such documents, such combination being obvious to a person skilled in the art
"O" document referring to an oral disclosure, use, exhibition or other means	"&" document member of the same patent family
"P" document published prior to the international filing date but later than the priority date claimed	

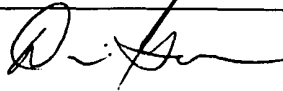
Date of the actual completion of the international search

Date of mailing of the international search report

19 February 2002 (19.02.2002)

14 JUN 2002

Name and mailing address of the ISA/US  
 Commissioner of Patents and Trademarks  
 Box PCT  
 Washington, D.C. 20231  
 Facsimile No. (703)305-3230

Authorized officer  
 Basil Katcheves   
 Telephone No. (703) 306-0232