



US00D731065S

(12) **United States Design Patent**  
**Winter**

(10) **Patent No.:** **US D731,065 S**

(45) **Date of Patent:** **\*\* Jun. 2, 2015**

(54) **EVQ PRESSURE SENSOR FILTER OF AN EXHALATION MODULE**

(71) Applicant: **Covidien LP**, Boulder, CO (US)

(72) Inventor: **David Phillip Winter**, Encinitas, CA (US)

(73) Assignee: **Covidien LP**, Mansfield, MA (US)

(\*\*) Term: **14 Years**

(21) Appl. No.: **29/448,048**

(22) Filed: **Mar. 8, 2013**

(51) **LOC (10) CL.** ..... **29-02**

(52) **U.S. Cl.**

USPC ..... **D24/162**; D24/110

(58) **Field of Classification Search**

USPC ..... D24/107, 110, 110.6, 129, 127, 162,

D24/164, 108, 121; 600/529, 538, 543, 532

CPC ..... A61B 5/08; A61B 5/4818; A61B 5/097;

A61B 5/091; A61B 5/087; A61M 16/10;

A61M 16/20

See application file for complete search history.

(56) **References Cited**

**U.S. PATENT DOCUMENTS**

3,444,857 A	5/1969	Godel	
3,481,333 A	12/1969	Garrison	
3,485,243 A	12/1969	Bird et al.	
3,688,794 A	9/1972	Bird et al.	
3,815,754 A *	6/1974	Rosenberg	210/445
4,241,756 A *	12/1980	Bennett et al.	137/496
D260,175 S *	8/1981	Hein et al.	D24/162
D262,484 S *	12/1981	Ward et al.	D23/209
D266,190 S	9/1982	Herman	
4,527,557 A	7/1985	DeVries et al.	
4,608,976 A	9/1986	Suchy	
4,699,137 A	10/1987	Schroeder	
RE32,553 E	12/1987	Bennett et al.	
4,712,580 A	12/1987	Gilman et al.	

4,727,871 A	3/1988	Smargiassi et al.
4,747,403 A	5/1988	Gluck et al.
4,752,089 A	6/1988	Carter
4,880,411 A	11/1989	Fangrow et al.
4,921,642 A	5/1990	LaTorraca
4,954,799 A	9/1990	Kumar
4,956,148 A	9/1990	Grandone
4,957,107 A	9/1990	Sipin
4,991,576 A	2/1991	Henkin et al.
4,993,269 A	2/1991	Guillaume et al.
5,000,173 A	3/1991	Zalkin et al.

(Continued)

**FOREIGN PATENT DOCUMENTS**

WO WO 2007/102866 9/2007

**OTHER PUBLICATIONS**

7200 Series Ventilator, Options, and Accessories: Operator's Manual. Nellcor Puritan Bennett, Part No. 22300 A, Sep. 1990, pp. 1-196.

(Continued)

*Primary Examiner* — Deanna L Pratt

*Assistant Examiner* — Lilyana Bekic

(57) **CLAIM**

The ornamental design for an EVQ pressure sensor filter of an exhalation module, as shown and described.

**DESCRIPTION**

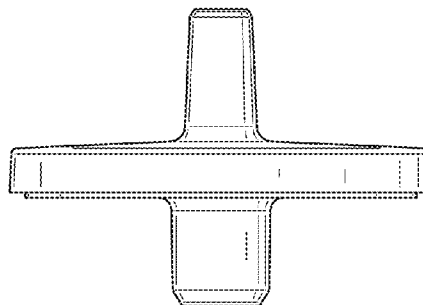
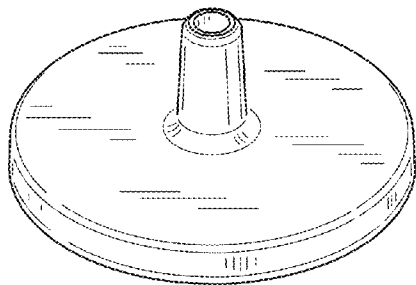
FIG. 1 is a perspective view of an EVQ pressure sensor filter of an exhalation module showing a new design.

FIG. 2 is a side view of an EVQ pressure sensor filter of an exhalation module showing a new design.

FIG. 3 is a top view of an EVQ pressure sensor filter of an exhalation module showing a new design; and,

FIG. 4 is a bottom view of an EVQ pressure sensor filter of an exhalation module showing a new design.

**1 Claim, 2 Drawing Sheets**



(56)

## References Cited

## U.S. PATENT DOCUMENTS

5,020,532 A	6/1991	Mahoney et al.	5,657,750 A	8/1997	Colman et al.
5,057,822 A	10/1991	Hoffman	5,660,171 A	8/1997	Kimm et al.
5,072,729 A	12/1991	DeVries	5,662,099 A	9/1997	Tobia et al.
5,072,737 A	12/1991	Goulding	5,664,560 A	9/1997	Merrick et al.
5,109,838 A	5/1992	Elam	5,664,562 A	9/1997	Bourdon
5,127,400 A	7/1992	DeVries et al.	5,671,767 A	9/1997	Kelly
5,134,995 A	8/1992	Gruenke et al.	5,672,041 A	9/1997	Ringdahl et al.
5,150,291 A	9/1992	Cummings et al.	5,673,689 A	10/1997	Power
5,161,525 A	11/1992	Kimm et al.	5,678,537 A	10/1997	Bathe et al.
5,168,868 A	12/1992	Hicks	5,683,232 A	11/1997	Adahan
5,178,155 A	1/1993	Mault	5,692,497 A	12/1997	Schnitzer et al.
5,230,727 A	* 7/1993	Pound et al. .... 55/492	5,697,363 A	12/1997	Hart
5,237,987 A	8/1993	Anderson et al.	5,701,883 A	12/1997	Hete et al.
5,255,675 A	10/1993	Kolobow	5,701,889 A	12/1997	Danon
5,259,373 A	11/1993	Gruenke et al.	D390,668 S	2/1998	Lewandowski et al.
5,269,293 A	12/1993	Loser et al.	5,715,812 A	2/1998	Deighan et al.
5,271,389 A	12/1993	Isaza et al.	5,762,480 A	6/1998	Adahan
5,277,175 A	1/1994	Riggs et al.	5,765,550 A	6/1998	Psaros et al.
5,279,549 A	1/1994	Ranford	5,771,884 A	6/1998	Yarnall et al.
5,299,568 A	4/1994	Forare et al.	5,791,339 A	8/1998	Winter
5,301,667 A	4/1994	McGrail et al.	5,794,614 A	8/1998	Gruenke et al.
5,301,921 A	4/1994	Kumar	5,794,986 A	8/1998	Gansel et al.
5,303,699 A	4/1994	Bonassa et al.	5,797,393 A	8/1998	Kohl
5,309,901 A	5/1994	Beaussant	D398,060 S	* 9/1998	Brown ..... D24/164
5,319,540 A	6/1994	Isaza et al.	D398,993 S	9/1998	Jones
5,325,861 A	7/1994	Goulding	5,803,064 A	9/1998	Phelps et al.
5,331,995 A	7/1994	Westfall et al.	5,813,399 A	9/1998	Isaza et al.
5,333,606 A	8/1994	Schneider et al.	5,823,179 A	10/1998	Grychowski et al.
5,339,807 A	8/1994	Carter	5,826,575 A	10/1998	Lall
5,343,857 A	9/1994	Schneider et al.	5,829,441 A	11/1998	Kidd et al.
5,343,858 A	9/1994	Winefordner et al.	5,845,636 A	12/1998	Gruenke et al.
5,351,522 A	10/1994	Lura	5,857,458 A	1/1999	Tham et al.
5,357,946 A	10/1994	Kee et al.	5,864,938 A	2/1999	Gansel et al.
5,357,972 A	* 10/1994	Norlien ..... 600/538	5,865,168 A	2/1999	Isaza
5,360,000 A	11/1994	Carter	5,868,133 A	2/1999	DeVries et al.
5,368,019 A	11/1994	LaTorraca	5,871,476 A	2/1999	Hand
5,368,021 A	11/1994	Beard et al.	5,875,783 A	3/1999	Kullik
5,383,449 A	1/1995	Forare et al.	5,876,352 A	3/1999	Weismann
5,385,142 A	1/1995	Brady et al.	5,881,717 A	3/1999	Isaza
5,390,666 A	2/1995	Kimm et al.	5,881,722 A	3/1999	DeVries et al.
5,390,668 A	* 2/1995	Lehman ..... 128/205.27	5,881,723 A	3/1999	Wallace et al.
5,398,677 A	3/1995	Smith	5,884,623 A	3/1999	Winter
5,401,135 A	3/1995	Stoen et al.	5,909,731 A	6/1999	O'Mahony et al.
5,402,796 A	4/1995	Packer et al.	5,915,379 A	6/1999	Wallace et al.
5,407,174 A	4/1995	Kumar	5,915,380 A	6/1999	Wallace et al.
D358,213 S	* 5/1995	Sutton et al. .... D24/162	5,915,382 A	6/1999	Power
5,413,110 A	5/1995	Cummings et al.	5,918,597 A	7/1999	Jones et al.
5,438,980 A	8/1995	Phillips	5,921,238 A	7/1999	Bourdon
5,443,075 A	8/1995	Holscher	5,934,274 A	8/1999	Merrick et al.
5,452,714 A	9/1995	Anderson et al.	5,937,856 A	8/1999	Jonasson et al.
5,467,766 A	11/1995	Ansite et al.	5,941,846 A	8/1999	Duffy et al.
5,484,270 A	1/1996	Adahan	5,957,130 A	9/1999	Krahbichler et al.
D367,326 S	* 2/1996	Bormann et al. .... D24/162	6,024,089 A	2/2000	Wallace et al.
5,494,028 A	2/1996	DeVries et al.	6,041,777 A	3/2000	Faithfull et al.
5,497,767 A	3/1996	Olsson et al.	6,041,780 A	3/2000	Richard et al.
5,503,140 A	4/1996	Winefordner et al.	6,047,860 A	4/2000	Sanders
5,513,631 A	5/1996	McWilliams	D425,984 S	5/2000	Niermann et al.
5,517,983 A	5/1996	Deighan et al.	6,073,630 A	6/2000	Adahan
5,520,071 A	5/1996	Jones	6,076,523 A	6/2000	Jones et al.
5,524,615 A	6/1996	Power	6,095,139 A	8/2000	Psaros
5,531,221 A	7/1996	Power	6,102,038 A	8/2000	DeVries
5,540,220 A	7/1996	Gropper et al.	6,116,240 A	9/2000	Merrick et al.
5,542,415 A	8/1996	Brady	6,116,242 A	9/2000	Frye et al.
5,542,416 A	8/1996	Chalvignac	6,116,464 A	9/2000	Sanders
5,544,674 A	8/1996	Kelly	6,119,686 A	9/2000	Somerson et al.
5,546,935 A	8/1996	Champeau	6,123,073 A	9/2000	Schlawin et al.
5,549,106 A	8/1996	Gruenke et al.	6,123,074 A	9/2000	Hete et al.
5,568,910 A	10/1996	Koehler et al.	6,131,571 A	10/2000	Lampotang et al.
5,575,283 A	11/1996	Sjostrand	6,131,573 A	* 10/2000	Brown ..... 128/205.27
5,596,984 A	1/1997	O'Mahony et al.	6,135,106 A	10/2000	Dirks et al.
5,606,968 A	3/1997	Mang	6,135,967 A	10/2000	Fiorenza et al.
5,617,847 A	4/1997	Howe	6,142,150 A	11/2000	O'Mahoney et al.
5,630,411 A	5/1997	Holscher	6,148,814 A	11/2000	Clemmer et al.
5,632,270 A	5/1997	O'Mahony et al.	6,152,132 A	11/2000	Psaros
5,645,048 A	7/1997	Brodsky et al.	6,152,135 A	11/2000	DeVries et al.
			6,158,432 A	12/2000	Biondi et al.
			6,161,539 A	12/2000	Winter
			D435,906 S	1/2001	Wilkinson et al.
			6,176,234 B1	1/2001	Salter et al.

(56)

## References Cited

## U.S. PATENT DOCUMENTS

6,192,885 B1	2/2001	Jalde	6,938,619 B1	9/2005	Hickle
6,217,524 B1	4/2001	Orr et al.	6,960,854 B2	11/2005	Nadjafizadeh et al.
6,220,245 B1	4/2001	Takabayashi et al.	6,968,840 B2	11/2005	Smith et al.
D441,449 S *	5/2001	Gaskell ..... D24/162	D518,172 S	3/2006	Britten et al.
6,269,812 B1	8/2001	Wallace et al.	7,032,589 B2	4/2006	Kerechanin, II et al.
6,273,444 B1	8/2001	Power	7,036,504 B2	5/2006	Wallace et al.
6,283,119 B1	9/2001	Bourdon	7,040,315 B1	5/2006	Strömberg
6,287,264 B1	9/2001	Hoffman	7,040,321 B2	5/2006	Göbel
6,295,330 B1	9/2001	Skog et al.	7,043,979 B2	5/2006	Smith et al.
6,295,985 B1	10/2001	Kock et al.	7,066,175 B2	6/2006	Hamilton et al.
6,305,373 B1	10/2001	Wallace et al.	7,066,177 B2	6/2006	Pittaway et al.
6,306,098 B1	10/2001	Orr et al.	7,077,131 B2	7/2006	Hansen
6,308,706 B1	10/2001	Lammers et al.	RE39,225 E	8/2006	Isaza et al.
6,309,360 B1	10/2001	Mault	7,117,438 B2	10/2006	Wallace et al.
6,321,748 B1	11/2001	O'Mahoney	7,118,537 B2	10/2006	Baddour
6,325,785 B1	12/2001	Babkes et al.	7,121,277 B2	10/2006	Ström
6,349,922 B1	2/2002	Rydin	7,152,604 B2	12/2006	Hickle et al.
6,357,438 B1	3/2002	Hansen	D535,750 S *	1/2007	Clawson ..... D24/162
6,360,745 B1	3/2002	Wallace et al.	7,168,597 B1	1/2007	Jones et al.
6,369,838 B1	4/2002	Wallace et al.	7,195,013 B2	3/2007	Lurie
6,371,113 B1	4/2002	Tobia et al.	7,210,478 B2	5/2007	Banner et al.
D457,231 S *	5/2002	Crafoord ..... D23/365	7,222,623 B2	5/2007	DeVries et al.
6,412,483 B1	7/2002	Jones et al.	7,241,269 B2	7/2007	McCawley et al.
6,415,788 B1	7/2002	Clawson et al.	7,270,126 B2	9/2007	Wallace et al.
6,419,634 B1	7/2002	Gaston, IV et al.	7,275,540 B2	10/2007	Bolam et al.
6,439,229 B1	8/2002	Du et al.	7,291,115 B2	11/2007	Cardona Burrul
6,457,472 B1	10/2002	Schwartz et al.	7,302,949 B2	12/2007	Pelerossi et al.
6,467,478 B1	10/2002	Merrick et al.	7,320,321 B2	1/2008	Pranger et al.
6,523,537 B1	2/2003	Mas Marfany	7,320,324 B2	1/2008	Willeford
6,523,538 B1	2/2003	Wikefeldt	7,347,825 B2	3/2008	Vaughan et al.
6,526,970 B2	3/2003	DeVries et al.	7,369,757 B2	5/2008	Farbarik
6,536,278 B1 *	3/2003	Scagliarini ..... 73/431	7,370,650 B2	5/2008	Nadjafizadeh et al.
D472,636 S	4/2003	Haynes	7,392,806 B2	7/2008	Yuen et al.
6,543,449 B1	4/2003	Woodring et al.	7,428,902 B2	9/2008	Du et al.
6,546,930 B1	4/2003	Emerson et al.	7,460,959 B2	12/2008	Jafari
6,550,479 B1	4/2003	Duxbury	7,475,685 B2	1/2009	Dietz et al.
6,553,991 B1	4/2003	Isaza	7,484,508 B2	2/2009	Younes
6,557,553 B1	5/2003	Borrello	7,487,773 B2	2/2009	Li
6,557,554 B1	5/2003	Sugiura	7,487,778 B2	2/2009	Freitag
6,564,798 B1	5/2003	Jalde	7,500,483 B2	3/2009	Colman et al.
6,571,795 B2	6/2003	Bourdon	7,509,957 B2	3/2009	Duquette et al.
6,572,561 B2	6/2003	Mault	7,525,663 B2	4/2009	Kwok et al.
6,572,827 B2	6/2003	Wilkinson et al.	7,533,670 B1	5/2009	Freitag et al.
6,575,164 B1	6/2003	Jaffe et al.	7,547,285 B2	6/2009	Kline
6,575,165 B1	6/2003	Cook et al.	7,556,038 B2	7/2009	Kirby et al.
6,575,918 B2	6/2003	Kline	7,556,042 B2	7/2009	West et al.
6,584,973 B1	7/2003	Biondi et al.	7,562,657 B2	7/2009	Blanch et al.
D478,659 S	8/2003	Hall et al.	7,588,033 B2	9/2009	Wondka
6,606,994 B1	8/2003	Clark	7,610,914 B2	11/2009	Bolam et al.
6,616,615 B2	9/2003	Mault	7,617,824 B2	11/2009	Doyle
6,619,289 B1	9/2003	Mashak	7,621,271 B2	11/2009	Brugnoli
6,622,725 B1	9/2003	Fisher et al.	7,634,998 B1	12/2009	Fenley
6,622,726 B1	9/2003	Du	7,654,802 B2	2/2010	Crawford, Jr. et al.
6,629,934 B2	10/2003	Mault et al.	7,686,019 B2	3/2010	Weiss
6,631,716 B1	10/2003	Robinson et al.	7,694,677 B2	4/2010	Tang
6,644,310 B1	11/2003	Delache et al.	7,699,788 B2	4/2010	Kuck et al.
6,668,824 B1	12/2003	Isaza et al.	7,717,113 B2	5/2010	Andrieux
6,675,801 B2	1/2004	Wallace et al.	7,721,735 B2	5/2010	Hamilton et al.
6,718,974 B1	4/2004	Moberg	7,721,736 B2	5/2010	Urias et al.
6,722,359 B2	4/2004	Chalvignac	D618,356 S	6/2010	Ross
6,723,055 B2	4/2004	Hoffman	7,740,591 B1	6/2010	Starr et al.
6,725,447 B1	4/2004	Gilman et al.	D620,075 S *	7/2010	Yamaguchi et al. .... D23/209
6,729,331 B2	5/2004	Kay	7,753,052 B2	7/2010	Tanaka
6,739,334 B2	5/2004	Valeij	7,779,840 B2	8/2010	Acker et al.
6,739,337 B2	5/2004	Isaza	7,784,461 B2	8/2010	Figueiredo et al.
6,761,167 B1	7/2004	Nadjafizadeh et al.	7,810,497 B2	10/2010	Pittman et al.
6,761,168 B1	7/2004	Nadjafizadeh et al.	7,814,908 B2	10/2010	Pсарos
6,763,829 B2	7/2004	Jaffe et al.	7,819,815 B2	10/2010	Younes
6,772,762 B2	8/2004	Piesinger	7,823,588 B2	11/2010	Hansen
6,805,121 B1	10/2004	Flood et al.	7,828,741 B2	11/2010	Kline et al.
6,814,074 B1	11/2004	Nadjafizadeh et al.	7,846,739 B2	12/2010	von Bahr et al.
6,866,040 B1	3/2005	Bourdon	7,849,854 B2	12/2010	DeVries et al.
6,877,511 B2	4/2005	DeVries et al.	7,855,716 B2	12/2010	McCreary et al.
6,886,558 B2	5/2005	Tanaka	7,861,716 B2	1/2011	Borrello
6,896,713 B1	5/2005	Eckerbom et al.	7,870,857 B2	1/2011	Dhuper et al.
			D632,796 S	2/2011	Ross et al.
			D632,797 S	2/2011	Ross et al.
			7,883,471 B2	2/2011	Aljuri et al.
			7,885,771 B2	2/2011	Roecker et al.

(56)

References Cited

U.S. PATENT DOCUMENTS

7,891,354 B2	2/2011	Farbarik	2008/0053438 A1	3/2008	DeVries et al.
7,893,560 B2	2/2011	Carter	2008/0053441 A1	3/2008	Gottlieb et al.
7,900,626 B2	3/2011	Daly	2008/0060646 A1	3/2008	Isaza
7,913,690 B2	3/2011	Fisher et al.	2008/0060656 A1	3/2008	Isaza
D636,878 S *	4/2011	Lee ..... D24/162	2008/0072896 A1	3/2008	Setzer et al.
D638,852 S	5/2011	Skidmore et al.	2008/0072902 A1	3/2008	Setzer et al.
7,984,714 B2	7/2011	Hausmann et al.	2008/0078390 A1	4/2008	Milne et al.
D643,535 S	8/2011	Ross et al.	2008/0083644 A1	4/2008	Janbakhsh et al.
7,992,557 B2	8/2011	Nadjafizadeh et al.	2008/0092894 A1	4/2008	Nicolazzi et al.
8,001,967 B2	8/2011	Wallace et al.	2008/0097234 A1	4/2008	Nicolazzi et al.
D645,158 S	9/2011	Sanchez et al.	2008/0135044 A1	6/2008	Freitag et al.
8,021,310 B2	9/2011	Sanborn et al.	2008/0183094 A1	7/2008	Schonfuss et al.
D649,157 S	11/2011	Skidmore et al.	2008/0196720 A1	8/2008	Kollmeyer et al.
D652,521 S	1/2012	Ross et al.	2008/0202517 A1	8/2008	Mitton et al.
D652,936 S	1/2012	Ross et al.	2008/0202518 A1	8/2008	Mitton et al.
D653,749 S	2/2012	Winter et al.	2008/0214947 A1	9/2008	Hunt et al.
8,113,062 B2	2/2012	Graboi et al.	2008/0230062 A1	9/2008	Tham
D655,405 S	3/2012	Winter et al.	2008/0257349 A1	10/2008	Hedner et al.
D655,809 S	3/2012	Winter et al.	2008/0276939 A1	11/2008	Tiedje
D656,237 S	3/2012	Sanchez et al.	2009/0000621 A1	1/2009	Haggbloom et al.
D659,254 S	5/2012	Miyashita et al.	2009/0007914 A1	1/2009	Bateman
8,176,916 B2 *	5/2012	Pedarzini et al. .... 128/205.12	2009/0050153 A1	2/2009	Brunner
8,181,648 B2	5/2012	Perine et al.	2009/0056708 A1	3/2009	Stenzler et al.
8,210,173 B2	7/2012	Vandine	2009/0056719 A1	3/2009	Newman, Jr.
8,210,174 B2	7/2012	Farbarik	2009/0071478 A1	3/2009	Kalfon
8,240,684 B2	8/2012	Ross et al.	2009/0078251 A1	3/2009	Zucchi et al.
8,267,085 B2	9/2012	Jafari et al.	2009/0084381 A1	4/2009	DeVries et al.
8,272,379 B2	9/2012	Jafari et al.	2009/0090359 A1	4/2009	Daviet et al.
8,272,380 B2	9/2012	Jafari et al.	2009/0114223 A1	5/2009	Bonassa
8,302,600 B2	11/2012	Andrieux et al.	2009/0133695 A1	5/2009	Rao et al.
8,302,602 B2	11/2012	Andrieux et al.	2009/0137919 A1	5/2009	Bar-Lavie et al.
D692,556 S	10/2013	Winter	2009/0165795 A1	7/2009	Nadjafizadeh et al.
D693,001 S	11/2013	Winter	2009/0171176 A1	7/2009	Andersohn
D693,923 S *	11/2013	Hernandez et al. .... D24/129	2009/0188502 A1	7/2009	Tiedje
D701,601 S	3/2014	Winter	2009/0205661 A1	8/2009	Stephenson et al.
2002/0026941 A1	3/2002	Biondi et al.	2009/0205663 A1	8/2009	Vandine et al.
2002/0138213 A1	9/2002	Mault	2009/0217923 A1	9/2009	Boehm et al.
2003/0062045 A1	4/2003	Woodring et al.	2009/0221926 A1	9/2009	Younes
2004/0094149 A1 *	5/2004	Natale ..... 128/201.13	2009/0229612 A1	9/2009	Levi et al.
2004/0138577 A1	7/2004	Kline	2009/0235935 A1	9/2009	Pacey
2004/0261793 A1	12/2004	Stromberg et al.	2009/0241948 A1	10/2009	Clancy et al.
2005/0039748 A1	2/2005	Andrieux	2009/0241951 A1	10/2009	Jafari et al.
2005/0098177 A1	5/2005	Haj-Yahya et al.	2009/0241952 A1	10/2009	Nicolazzi et al.
2005/0139211 A1	6/2005	Alston et al.	2009/0241953 A1	10/2009	Vandine et al.
2005/0139212 A1	6/2005	Bourdon	2009/0241955 A1	10/2009	Jafari et al.
2005/0150494 A1	7/2005	DeVries et al.	2009/0241956 A1	10/2009	Baker, Jr. et al.
2005/0217671 A1	10/2005	Fisher et al.	2009/0241957 A1	10/2009	Baker, Jr.
2006/0032499 A1	2/2006	Halsnes	2009/0241958 A1	10/2009	Baker, Jr.
2006/0129054 A1	6/2006	Orr et al.	2009/0241962 A1	10/2009	Jafari et al.
2006/0130839 A1	6/2006	Bassovitch	2009/0241964 A1	10/2009	Aljuri et al.
2006/0201507 A1	9/2006	Breen	2009/0247891 A1	10/2009	Wood
2006/0249148 A1	11/2006	Younes	2009/0250054 A1	10/2009	Loncar et al.
2006/0249153 A1	11/2006	DeVries et al.	2009/0250059 A1	10/2009	Allum et al.
2007/0000494 A1	1/2007	Banner et al.	2009/0255533 A1	10/2009	Freitag et al.
2007/0017515 A1	1/2007	Wallace et al.	2009/0260625 A1	10/2009	Wondka
2007/0028921 A1	2/2007	Banner et al.	2009/0263279 A1	10/2009	Kline et al.
2007/0062531 A1	3/2007	Fisher et al.	2009/0270752 A1	10/2009	Coifman
2007/0068530 A1	3/2007	Pacey	2009/0277448 A1	11/2009	Ahlmén et al.
2007/0073183 A1	3/2007	Kline	2009/0293877 A1	12/2009	Blanch et al.
2007/0077200 A1	4/2007	Baker	2009/0299430 A1	12/2009	Davies et al.
2007/0095347 A1	5/2007	Lampotang et al.	2009/0301486 A1	12/2009	Masic
2007/0101999 A1 *	5/2007	Duquette et al. .... 128/207.14	2009/0301487 A1	12/2009	Masic
2007/0113854 A1	5/2007	Mcauliffe	2009/0301490 A1	12/2009	Masic
2007/0125377 A1	6/2007	Heinonen et al.	2009/0301491 A1	12/2009	Masic et al.
2007/0144521 A1	6/2007	DeVries et al.	2010/0011307 A1	1/2010	Desfossez et al.
2007/0144523 A1	6/2007	Bolam et al.	2010/0012126 A1	1/2010	Gandini
2007/0157930 A1	7/2007	Soliman et al.	2010/0024820 A1	2/2010	Bourdon
2007/0157931 A1	7/2007	Parker et al.	2010/0031961 A1	2/2010	Schmidt
2007/0163579 A1	7/2007	Li et al.	2010/0051026 A1	3/2010	Graboi
2007/0225612 A1	9/2007	Mace et al.	2010/0051029 A1	3/2010	Jafari et al.
2007/0227537 A1	10/2007	Bemister et al.	2010/0059058 A1	3/2010	Kuo
2007/0232952 A1	10/2007	Baddour	2010/0069761 A1	3/2010	Karst et al.
2007/0255160 A1	11/2007	Daly	2010/0071689 A1	3/2010	Thiessen
2007/0284361 A1	12/2007	Nadjafizadeh et al.	2010/0071692 A1	3/2010	Porges
2008/0045825 A1	2/2008	Melker et al.	2010/0071695 A1	3/2010	Thiessen
			2010/0071696 A1	3/2010	Jafari
			2010/0071697 A1	3/2010	Jafari et al.
			2010/0078017 A1	4/2010	Andrieux et al.
			2010/0078026 A1	4/2010	Andrieux et al.

(56)

References Cited

U.S. PATENT DOCUMENTS

2010/0081119 A1 4/2010 Jafari et al.  
 2010/0081955 A1 4/2010 Wood, Jr. et al.  
 2010/0099999 A1 4/2010 Hemnes et al.  
 2010/0101577 A1 4/2010 Kaestle et al.  
 2010/0106037 A1 4/2010 Kacmarek et al.  
 2010/0125227 A1 5/2010 Bird  
 2010/0137733 A1 6/2010 Wang et al.  
 2010/0139660 A1 6/2010 Adahan  
 2010/0147302 A1 6/2010 Selvarajan et al.  
 2010/0147303 A1 6/2010 Jafari et al.  
 2010/0170512 A1 7/2010 Kuypers et al.  
 2010/0175695 A1 7/2010 Jamison  
 2010/0179392 A1 7/2010 Chang et al.  
 2010/0180897 A1 7/2010 Malgouyres  
 2010/0185112 A1 7/2010 Van Kesteren et al.  
 2010/0186744 A1 7/2010 Andrieux  
 2010/0198095 A1 8/2010 Isler  
 2010/0218765 A1 9/2010 Jafari et al.  
 2010/0218766 A1 9/2010 Milne  
 2010/0218767 A1 9/2010 Jafari et al.  
 2010/0222692 A1 9/2010 McCawley et al.  
 2010/0236553 A1 9/2010 Jafari et al.  
 2010/0236555 A1 9/2010 Jafari et al.  
 2010/0241019 A1 9/2010 Varga et al.  
 2010/0242961 A1 9/2010 Mougel et al.  
 2010/0249584 A1 9/2010 Albertelli  
 2010/0252042 A1 10/2010 Kapust et al.  
 2010/0268106 A1 10/2010 Johnson et al.  
 2010/0268131 A1 10/2010 Efthimiou  
 2010/0269834 A1 10/2010 Freitag et al.  
 2010/0282258 A1 11/2010 Tailor et al.  
 2010/0282259 A1 11/2010 Figueiredo et al.  
 2010/0286544 A1 11/2010 Tanaka et al.  
 2010/0288283 A1 11/2010 Campbell et al.  
 2010/0292601 A1 11/2010 Dompeling et al.  
 2010/0300446 A1 12/2010 Nicolazzi et al.  
 2010/0324437 A1 12/2010 Freeman et al.  
 2010/0324439 A1 12/2010 Davenport  
 2011/0004108 A1 1/2011 Peyton  
 2011/0009762 A1 1/2011 Eichler et al.  
 2011/0011400 A1 1/2011 Gentner et al.  
 2011/0023878 A1 2/2011 Thiessen  
 2011/0023879 A1 2/2011 Vandine et al.  
 2011/0023880 A1 2/2011 Thiessen  
 2011/0023881 A1 2/2011 Thiessen  
 2011/0029910 A1 2/2011 Thiessen  
 2011/0041849 A1 2/2011 Chen et al.  
 2011/0041850 A1 2/2011 Vandine et al.  
 2011/0066060 A1 3/2011 von Bahr et al.  
 2011/0126829 A1 6/2011 Carter et al.  
 2011/0126832 A1 6/2011 Winter et al.  
 2011/0126834 A1 6/2011 Winter et al.  
 2011/0126835 A1 6/2011 Winter et al.  
 2011/0126836 A1 6/2011 Winter et al.  
 2011/0126837 A1 6/2011 Winter et al.  
 2011/0128008 A1 6/2011 Carter  
 2011/0132361 A1 6/2011 Sanchez  
 2011/0132362 A1 6/2011 Sanchez  
 2011/0132364 A1 6/2011 Ogilvie et al.  
 2011/0132365 A1 6/2011 Patel et al.  
 2011/0132366 A1 6/2011 Ogilvie et al.  
 2011/0132367 A1 6/2011 Patel  
 2011/0132368 A1 6/2011 Sanchez et al.  
 2011/0132369 A1 6/2011 Sanchez  
 2011/0132371 A1 6/2011 Sanchez et al.  
 2011/0133936 A1 6/2011 Sanchez et al.  
 2011/0138308 A1 6/2011 Palmer et al.  
 2011/0138309 A1 6/2011 Skidmore et al.  
 2011/0138311 A1 6/2011 Palmer  
 2011/0138315 A1 6/2011 Vandine et al.  
 2011/0138323 A1 6/2011 Skidmore et al.  
 2011/0146681 A1 6/2011 Jafari et al.  
 2011/0146683 A1 6/2011 Jafari et al.  
 2011/0154241 A1 6/2011 Skidmore et al.  
 2011/0175728 A1 7/2011 Baker, Jr.

2011/0196251 A1 8/2011 Jourdain et al.  
 2011/0209702 A1 9/2011 Vuong et al.  
 2011/0209704 A1 9/2011 Jafari et al.  
 2011/0209707 A1 9/2011 Terhark  
 2011/0213215 A1 9/2011 Doyle et al.  
 2011/0230780 A1 9/2011 Sanborn et al.  
 2011/0249006 A1 10/2011 Wallace et al.  
 2011/0259330 A1 10/2011 Jafari et al.  
 2011/0259332 A1 10/2011 Sanchez et al.  
 2011/0259333 A1 10/2011 Sanchez et al.  
 2011/0265024 A1 10/2011 Leone et al.  
 2011/0271960 A1 11/2011 Milne et al.  
 2011/0273299 A1 11/2011 Milne et al.  
 2012/0000467 A1 1/2012 Milne et al.  
 2012/0000468 A1 1/2012 Milne et al.  
 2012/0000469 A1 1/2012 Milne et al.  
 2012/0000470 A1 1/2012 Milne et al.  
 2012/0029317 A1 2/2012 Doyle et al.  
 2012/0030611 A1 2/2012 Skidmore  
 2012/0060841 A1 3/2012 Crawford, Jr. et al.  
 2012/0071729 A1 3/2012 Doyle et al.  
 2012/0090611 A1 4/2012 Graboi et al.  
 2012/0096381 A1 4/2012 Milne et al.  
 2012/0133519 A1 5/2012 Milne et al.  
 2012/0136222 A1 5/2012 Doyle et al.  
 2012/0137249 A1 5/2012 Milne et al.  
 2012/0137250 A1 5/2012 Milne et al.  
 2012/0167885 A1 7/2012 Masic et al.  
 2012/0185792 A1 7/2012 Kimm et al.  
 2012/0197578 A1 8/2012 Vig et al.  
 2012/0197580 A1 8/2012 Vij et al.  
 2012/0211008 A1 8/2012 Perine et al.  
 2012/0216809 A1 8/2012 Milne et al.  
 2012/0216810 A1 8/2012 Jafari et al.  
 2012/0216811 A1 8/2012 Kimm et al.  
 2012/0226444 A1 9/2012 Milne et al.  
 2012/0247471 A1 10/2012 Masic et al.  
 2012/0272960 A1 11/2012 Milne  
 2012/0272961 A1 11/2012 Masic et al.  
 2012/0272962 A1 11/2012 Doyle et al.  
 2012/0277616 A1 11/2012 Sanborn et al.  
 2012/0279501 A1 11/2012 Wallace et al.  
 2012/0304995 A1 12/2012 Kauc  
 2012/0304997 A1 12/2012 Jafari et al.  
 2013/0000644 A1 1/2013 Thiessen  
 2013/0006133 A1 1/2013 Doyle et al.  
 2013/0006134 A1 1/2013 Doyle et al.  
 2013/0008443 A1 1/2013 Thiessen  
 2013/0025596 A1 1/2013 Jafari et al.  
 2013/0025597 A1 1/2013 Doyle et al.  
 2013/0032151 A1 2/2013 Adahan  
 2013/0047989 A1 2/2013 Vandine et al.  
 2013/0053717 A1 2/2013 Vandine et al.  
 2013/0074844 A1 3/2013 Kimm et al.  
 2013/0081536 A1 4/2013 Crawford, Jr. et al.  
 2013/0104896 A1 5/2013 Kimm et al.  
 2013/0146055 A1 6/2013 Jafari et al.  
 2013/0167842 A1 7/2013 Jafari et al.  
 2013/0167843 A1 7/2013 Kimm et al.  
 2013/0192599 A1 8/2013 Nakai et al.  
 2013/0220324 A1 8/2013 Jafari et al.  
 2013/0255682 A1 10/2013 Jafari et al.  
 2013/0255685 A1 10/2013 Jafari et al.  
 2013/0284172 A1 10/2013 Doyle et al.  
 2013/0284177 A1 10/2013 Li et al.  
 2014/0000606 A1 1/2014 Doyle et al.  
 2014/0012150 A1 1/2014 Milne et al.  
 2014/0034054 A1 2/2014 Angelico et al.  
 2014/0276176 A1\* 9/2014 Winter ..... 600/538

OTHER PUBLICATIONS

7200 Ventilatory System: Addendum/Errata. Nellcor Puritan Bennett, Part No. 4-023576-00, Rev. A, Apr. 1998, pp. 1-32.  
 800 Operator's and Technical Reference Manual. Series Ventilator System, Nellcor Puritan Bennett, Part No. 4-070088-00, Rev. L, Aug. 2010, pp. 1-476.  
 840 Operator's and Technical Reference Manual. Ventilator System, Nellcor Puritan Bennett, Part No. 4-075609-00, Rev. G, Oct. 2006, pp. 1-424.

(56)

**References Cited**

OTHER PUBLICATIONS

U.S. Appl. No. 29/447,977, Notice of Allowance mailed Sep. 30, 2013, 2 pgs.

U.S. Appl. No. 29/448,065, Notice of Allowance mailed Sep. 12, 2013, 2 pgs.

U.S. Appl. No. 29/448,065, Notice of Allowance mailed Sep. 30, 2013, 2 pgs.

U.S. Appl. No. 29/448,082, Notice of Allowance mailed Sep. 17, 2013, 2 pgs.

U.S. Appl. No. 29/448,082, Notice of Allowance mailed Sep. 30, 2013, 2 pgs.

U.S. Appl. No. 29/447,977, Notice of Allowance mailed Sep. 3, 2013, 2 pgs.

U.S. Appl. No. 29/448,065, Notice of Allowance mailed Jul. 10, 2013, 9 pgs.

U.S. Appl. No. 29/448,082, Notice of Allowance mailed Jul. 9, 2013, 9 pgs.

U.S. Appl. No. 29/447,977, Notice of Allowance mailed Jul. 31, 2013, 10 pgs.

\* cited by examiner

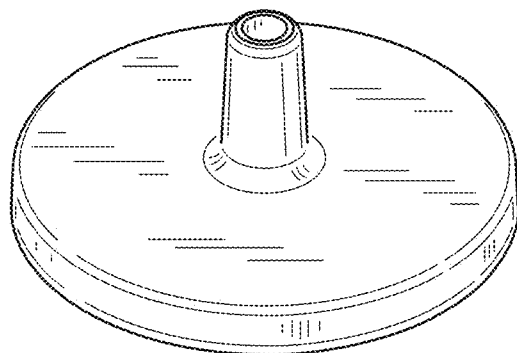


FIG. 1

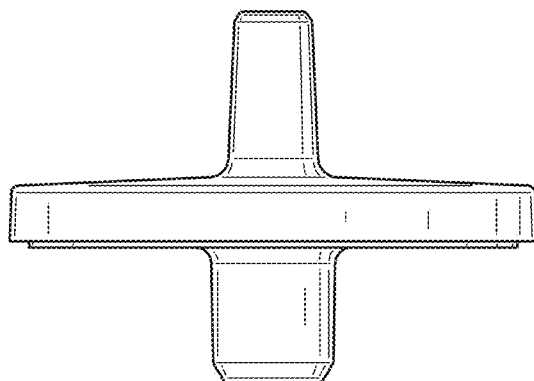


FIG. 2

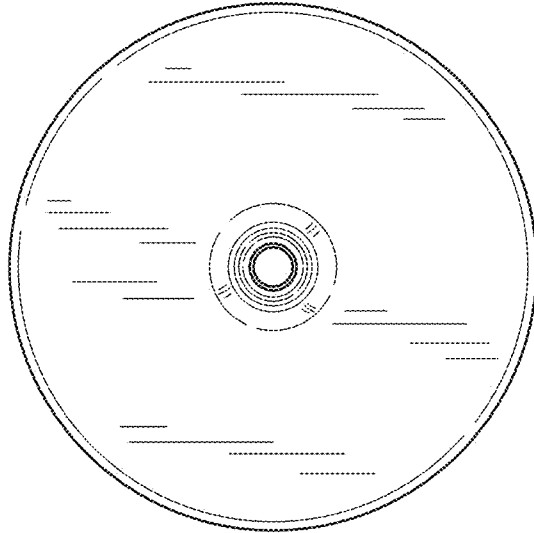


FIG.3

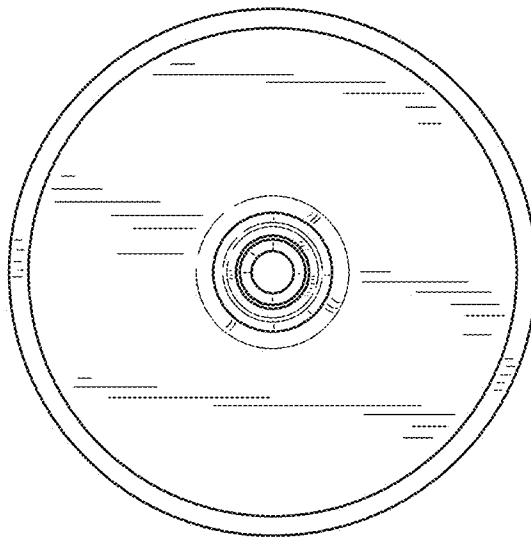


FIG.4