



US00D970704S

(12) **United States Design Patent**  
**Zhang**

(10) **Patent No.:** **US D970,704 S**

(45) **Date of Patent:** **\*\* Nov. 22, 2022**

- (54) **LAUNDRY SINK**
- (71) Applicant: **Cheng Zhang**, Shenzhen (CN)
- (72) Inventor: **Cheng Zhang**, Shenzhen (CN)
- (\*\*) Term: **15 Years**
- (21) Appl. No.: **29/849,575**

D912,228 S \* 3/2021 Chong ..... E03C 1/0404  
D23/286  
D914,167 S \* 3/2021 Parisio ..... D23/286  
D933,175 S 10/2021 Han ..... D23/286  
2022/0287512 A1\* 9/2022 Detlaff ..... A47J 47/20  
\* cited by examiner

- (22) Filed: **Aug. 12, 2022**
- (51) **LOC (13) Cl.** ..... **23-02**
- (52) **U.S. Cl.**  
USPC ..... **D23/286**
- (58) **Field of Classification Search**  
USPC ..... D23/271, 273, 286, 284, 293.1; D6/664,  
D6/699, 684; D24/234  
See application file for complete search history.

*Primary Examiner* — Robert A Delehanty  
(74) *Attorney, Agent, or Firm* — Rमित Ranjit Kanakia

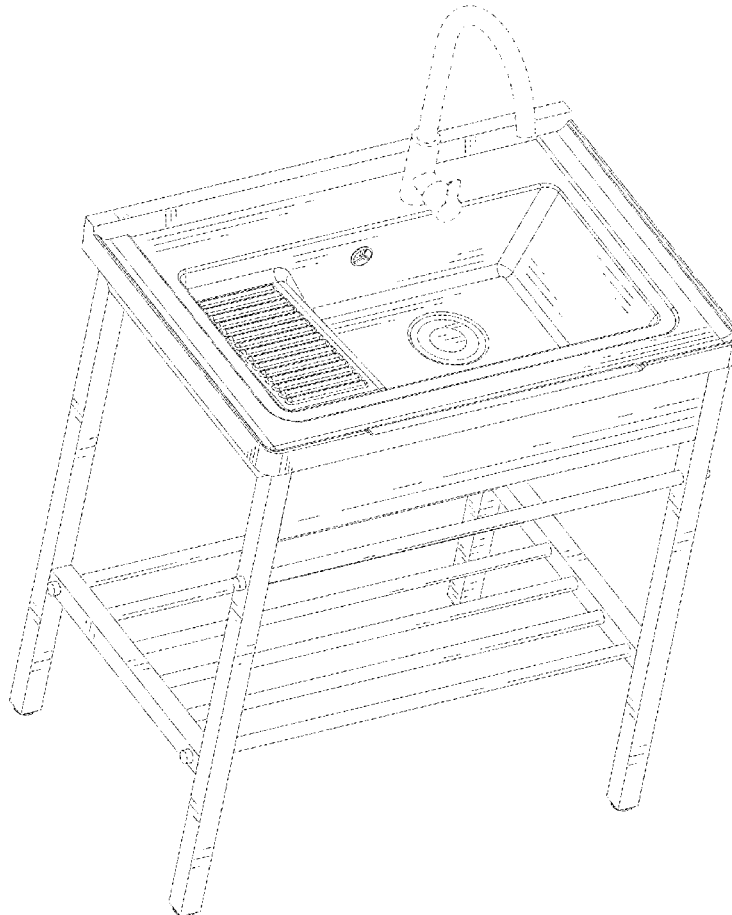
(57) **CLAIM**  
The ornamental design for a laundry sink, as shown and described.

- (56) **References Cited**  
U.S. PATENT DOCUMENTS  
D446,575 S \* 8/2001 Ferrer Beltran ..... D23/293.1  
D676,945 S \* 2/2013 Schindler ..... D23/286  
D840,518 S \* 2/2019 Richter ..... D23/284  
D849,212 S \* 5/2019 Starck ..... D23/284  
D866,727 S 11/2019 Chen et al.  
D912,226 S 3/2021 Chong et al.

**DESCRIPTION**

FIG. 1 is a first perspective view of a laundry sink showing my new design;  
FIG. 2 is a second perspective view thereof;  
FIG. 3 is a front view thereof;  
FIG. 4 is a back view thereof;  
FIG. 5 is a left side view thereof;  
FIG. 6 is a right side view thereof;  
FIG. 7 is a top view thereof; and,  
FIG. 8 is a bottom view thereof.  
The broken lines shown in the drawings depict portions of the laundry sink that form no part of the claimed design.

**1 Claim, 8 Drawing Sheets**



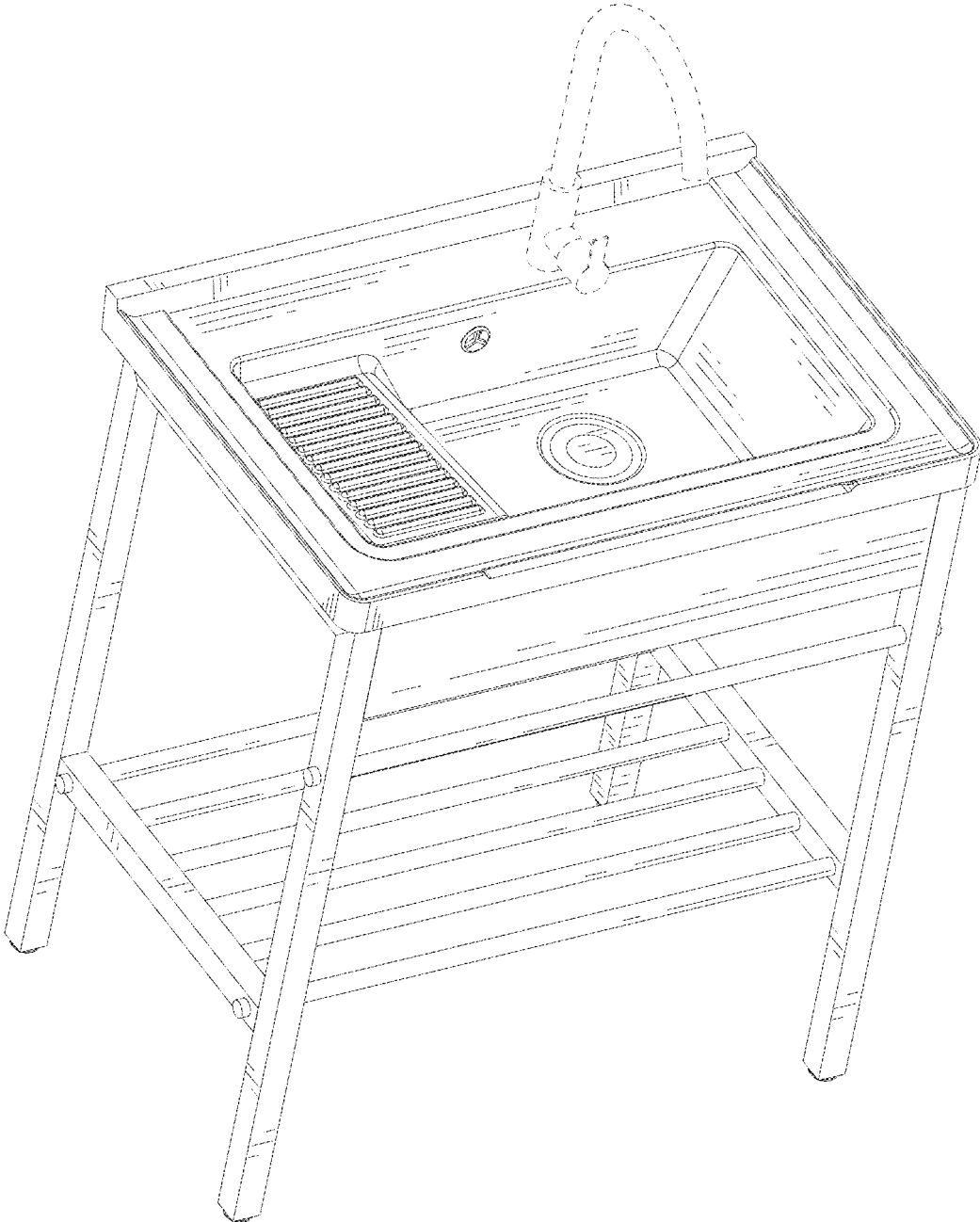


FIG. 1

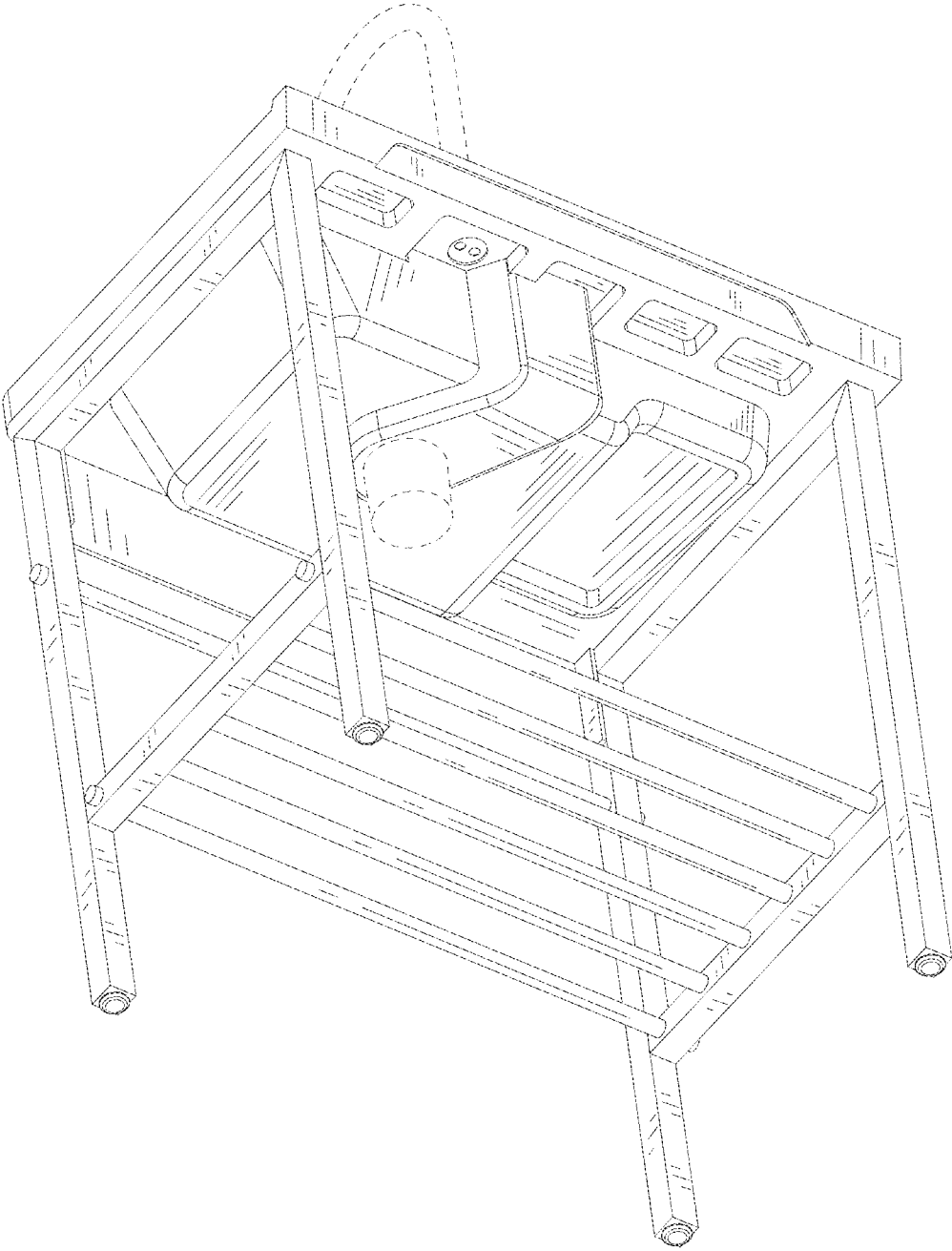


FIG. 2

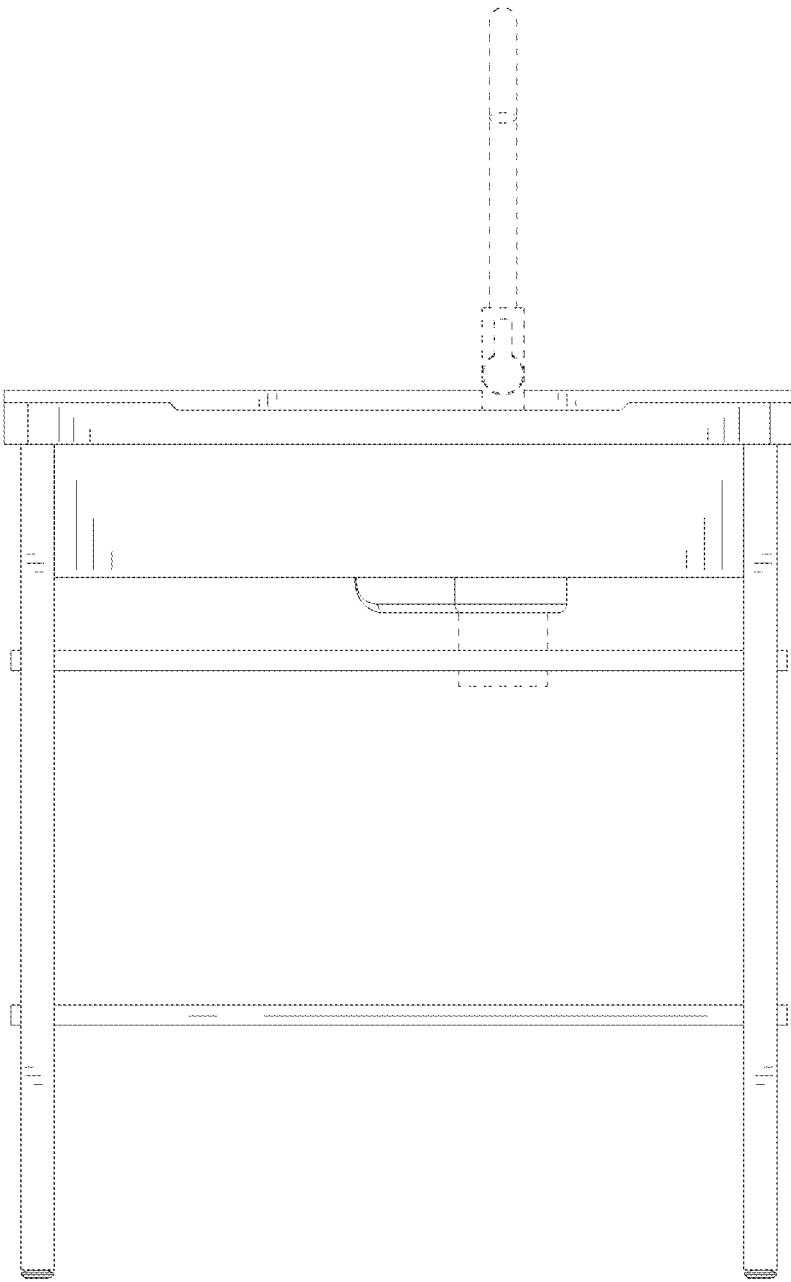


FIG. 3

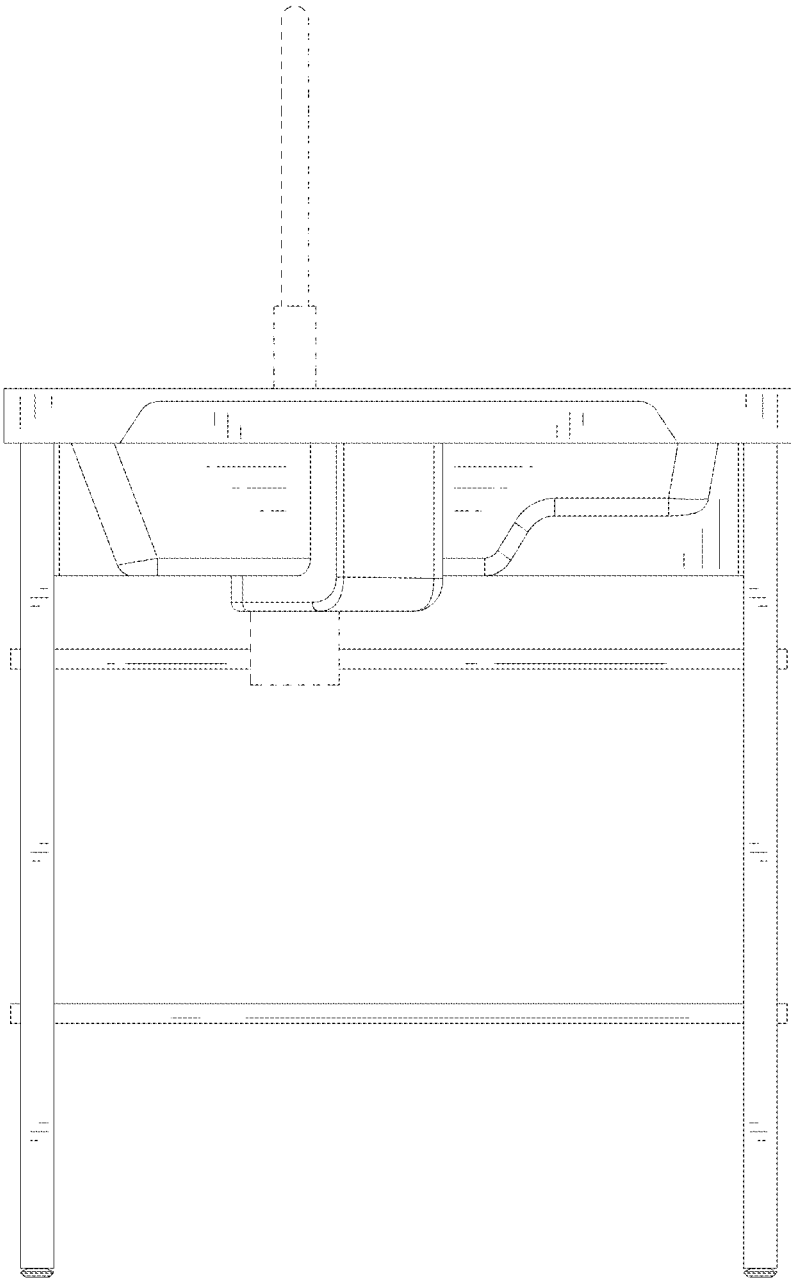


FIG. 4

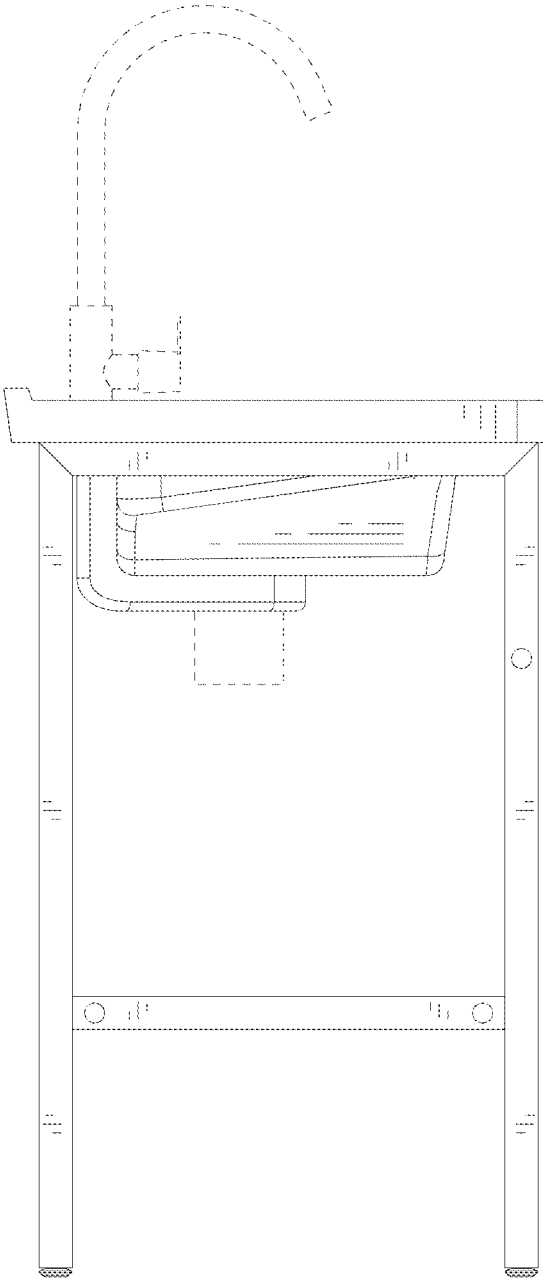


FIG. 5

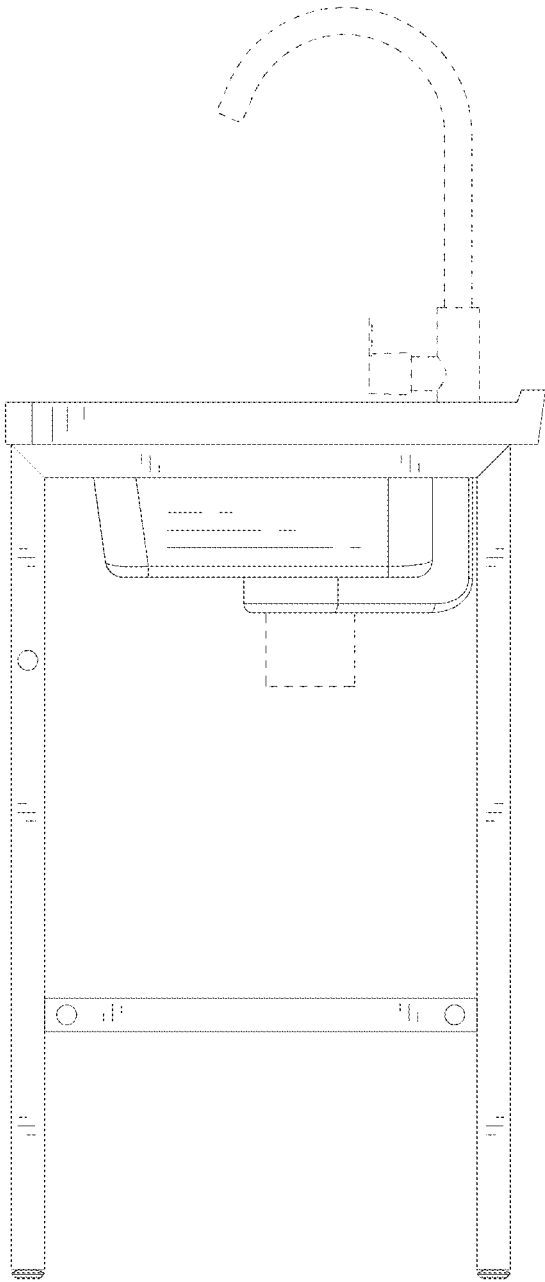


FIG. 6

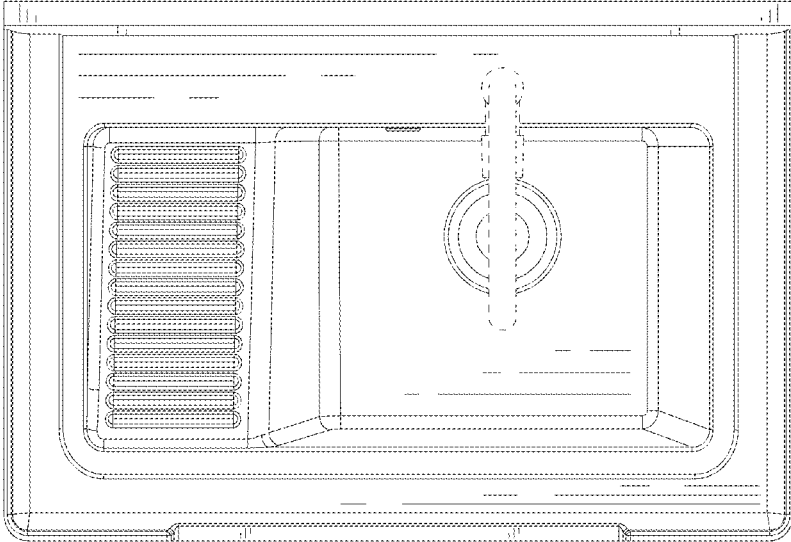


FIG. 7

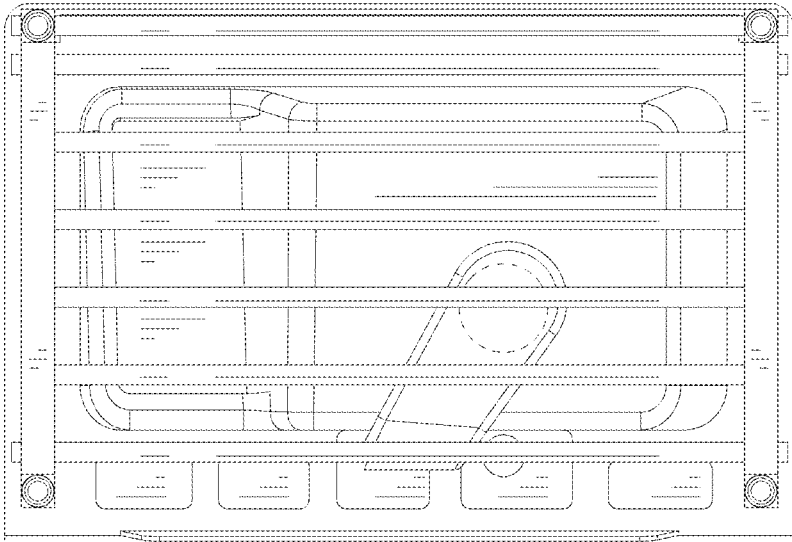


FIG. 8