



(12) **United States Design Patent**
Tattersal

(10) **Patent No.:** **US D1,007,234 S**
(45) **Date of Patent:** **** Dec. 12, 2023**

(54) **COMBINED CARTRIDGE AND CAP FOR DRINK PREPARATION MACHINE**

(71) Applicant: **Mittemitte GmbH**, Berlin (DE)
(72) Inventor: **James William Tattersal**, Berlin (DE)
(**) Term: **15 Years**
(21) Appl. No.: **35/512,298**
(22) Filed: **May 27, 2021**

(80) **Hague Agreement Data**
Int. Filing Date: **May 27, 2021**
Int. Reg. No.: **DM/215460**
Int. Reg. Date: **May 27, 2021**
Int. Reg. Pub. Date: **Jul. 30, 2021**

(51) **LOC (14) Cl.** **07-06**
(52) **U.S. Cl.**
USPC **D7/400**

(58) **Field of Classification Search**
USPC D9/500-504, 549, 556-558, 434, 435, D9/444, 454, 764; D23/202, 204, 205, D23/207, 209, 397, 399; D7/213, 387, D7/400, 598; D15/89
CPC B21D 51/26; B21D 51/383; B29C 66/71; B65D 1/00; B65D 1/02; B65D 1/12; B65D 1/14; B65D 1/40; B65D 1/44; B65D 1/023; B65D 1/0223; B65D 1/165; B65D 1/238; B65D 1/246; B65D 1/253; B65D 7/04; B65D 21/0209; B65D 21/0233; B65D 25/00; B65D 25/28; B65D 41/0457; B65D 41/17; B65D 53/06; B65D 75/56; B65D 79/005; B65D 2501/0036; B65D 2543/00064; B65D 2543/00074; B65D 2543/00083; B65D 2543/00092; B65D 2543/00101; B65D 2543/00111; Y10T 29/49826; A47J 37/07; A47J 37/0676

See application file for complete search history.

(56) **References Cited**

U.S. PATENT DOCUMENTS

5,052,592 A * 10/1991 Wilken B65D 83/0033 222/391
D351,785 S * 10/1994 Newell A61L 9/14 D9/504
D462,233 S * 9/2002 Jørgensen D7/400
D565,952 S * 4/2008 Mettler D9/504
D567,021 S * 4/2008 Bach A47J 31/407 D7/400

(Continued)

OTHER PUBLICATIONS

Kickstarter-Mitte Water; "Mitte: Create you own mineralized water, just like nature"; [online] www.kickstarter.com/projects/mitte-water/mitte-create-your-own-mineral-water-just-like-natu; dated Oct. 24, 2017 (per Update #1); accessed Jul. 26, 2022; 10pgs. (Year: 2017).*

Primary Examiner — Keli L Hill
(74) *Attorney, Agent, or Firm* — JMB Davis Ben-David

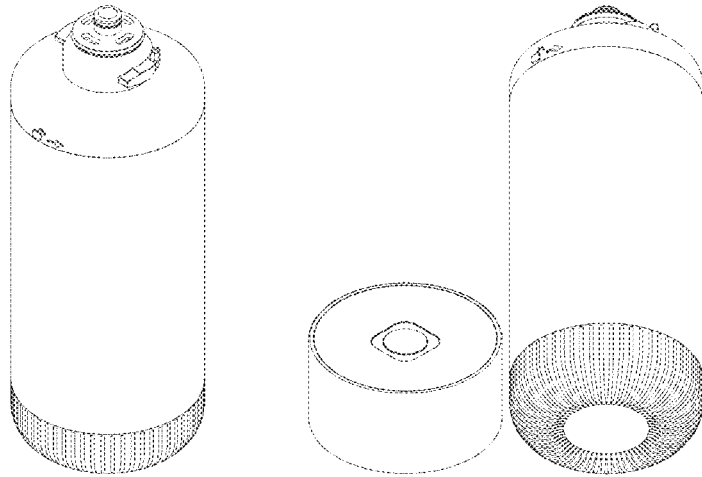
(57) **CLAIM**

The ornamental design for combined cartridge and cap for drink preparation machine, as shown and described.

DESCRIPTION

1.1 is a top perspective view of the cartridge and cap shown separately;
1.2 is a front elevation view of the cartridge;
1.3 is a top perspective view of the cartridge;
1.4 is a left-side elevation view of the cartridge;
1.5 is a top perspective view of the cartridge with cap on;
1.6 is a bottom perspective view of the cartridge;
1.7 is a top plan view of the cartridge;
1.8 is a front elevation view of the cartridge with cap on;
1.9 is a right-side elevation view of the cartridge; and,
1.10 is a bottom view plan view of the cartridge.

(Continued)



The dash-dash broken lines in Figure 1.7 represent portions of the combined cartridge and cap for drink preparation machine that form no part of the claimed design.

1 Claim, 10 Drawing Sheets

(56)

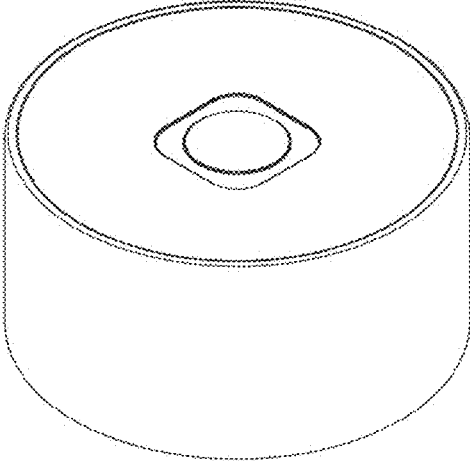
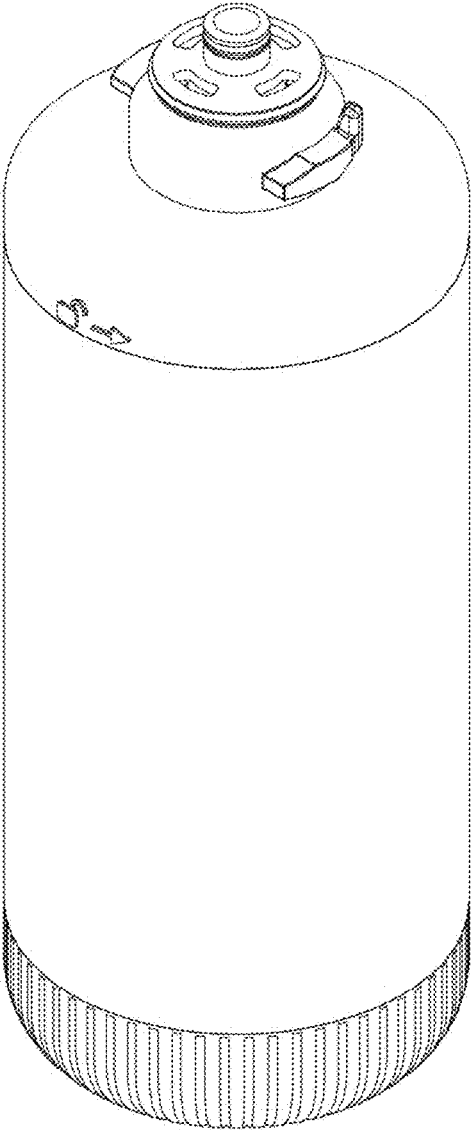
References Cited

U.S. PATENT DOCUMENTS

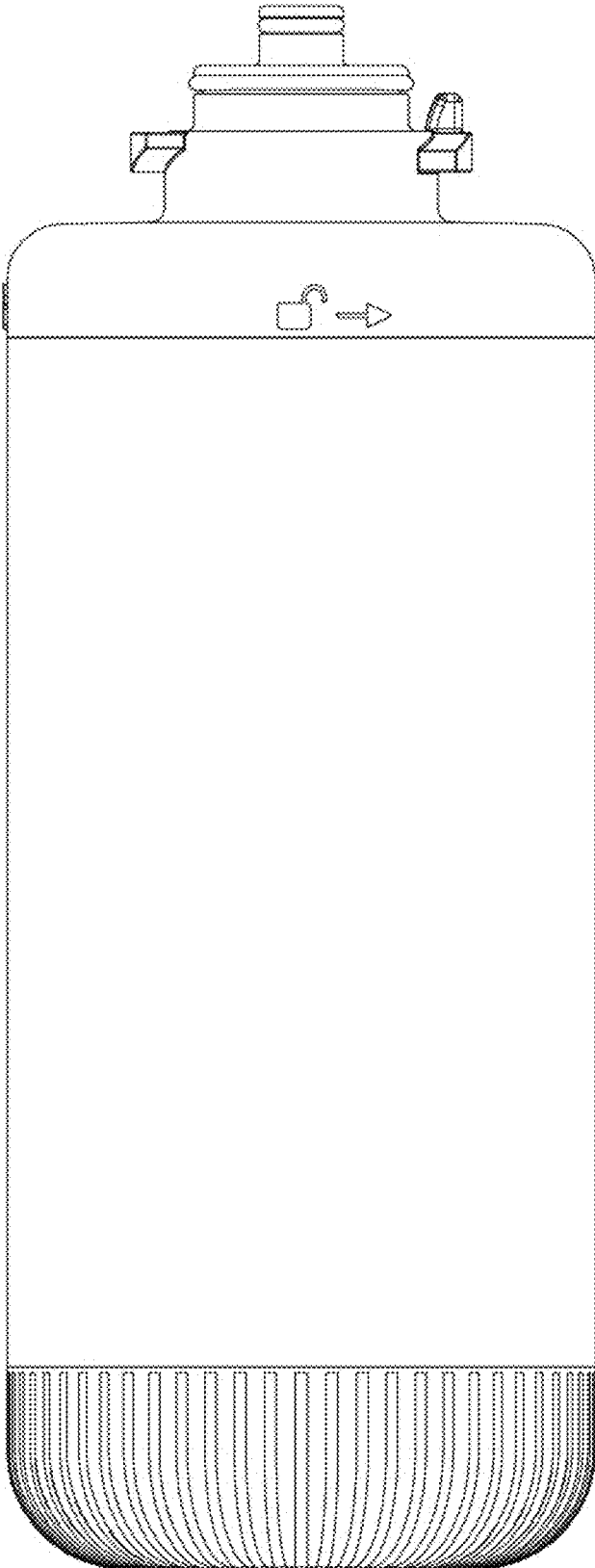
| | | | | | |
|--------------|------|---------|------------|-------|-----------------------|
| D654,562 | S * | 2/2012 | Kruckenber | | D23/209 |
| 9,480,767 | B1 * | 11/2016 | Ansley | | |
| D795,993 | S * | 8/2017 | Zou | | D23/209 |
| D808,809 | S * | 1/2018 | Krafft | | D9/453 |
| D854,121 | S * | 7/2019 | Zou | | D23/209 |
| D867,519 | S * | 11/2019 | Furgurson | | D9/503 |
| D875,209 | S * | 2/2020 | Zou | | D23/209 |
| D894,333 | S * | 8/2020 | Huaping | | D23/209 |
| D917,231 | S * | 4/2021 | Wang | | D9/504 |
| D918,335 | S * | 5/2021 | Wei | | D23/209 |
| D918,720 | S * | 5/2021 | Jiang | | D9/504 |
| D929,533 | S * | 8/2021 | Huang | | D23/209 |
| D981,252 | S * | 3/2023 | Fonte | | D7/400 |
| D985,717 | S * | 5/2023 | Lu | | D23/209 |
| D987,023 | S * | 5/2023 | Huang | | D23/209 |
| D992,080 | S * | 7/2023 | Mjelde | | D23/207 |
| 2015/0173562 | A1 * | 6/2015 | Priley | | A47J 31/407 99/283 |

* cited by examiner

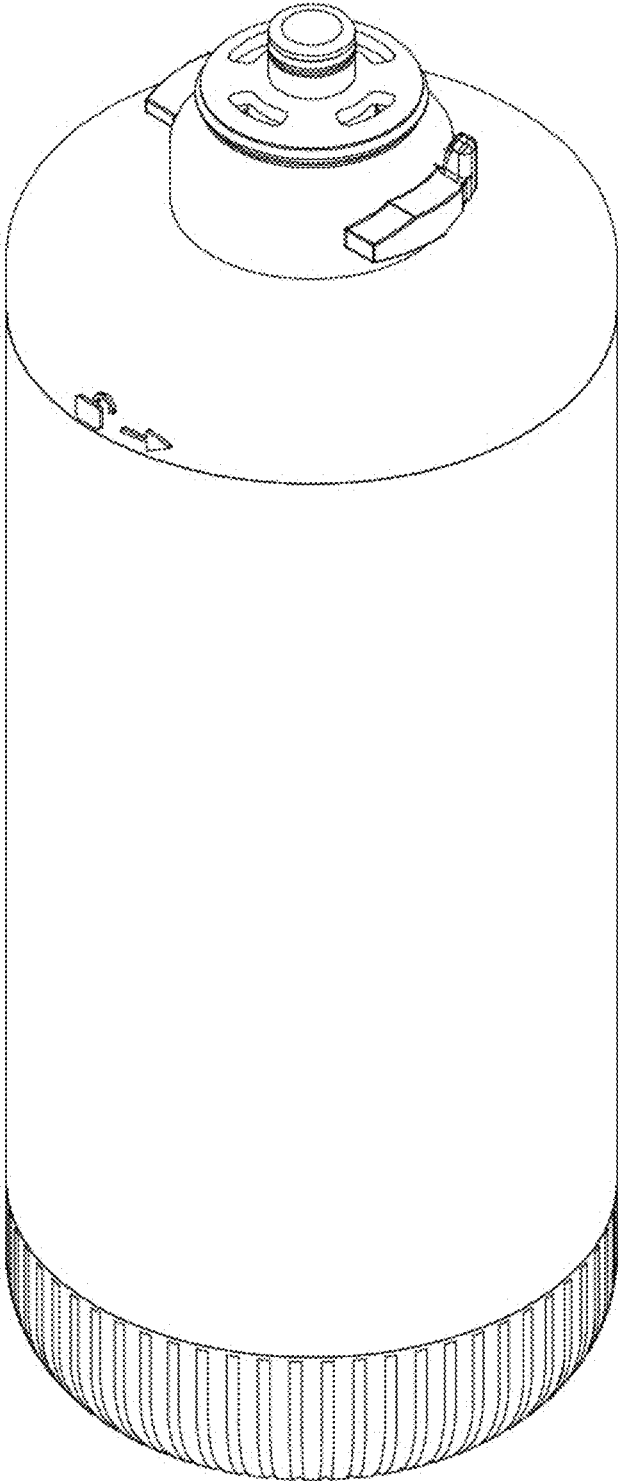
1.1



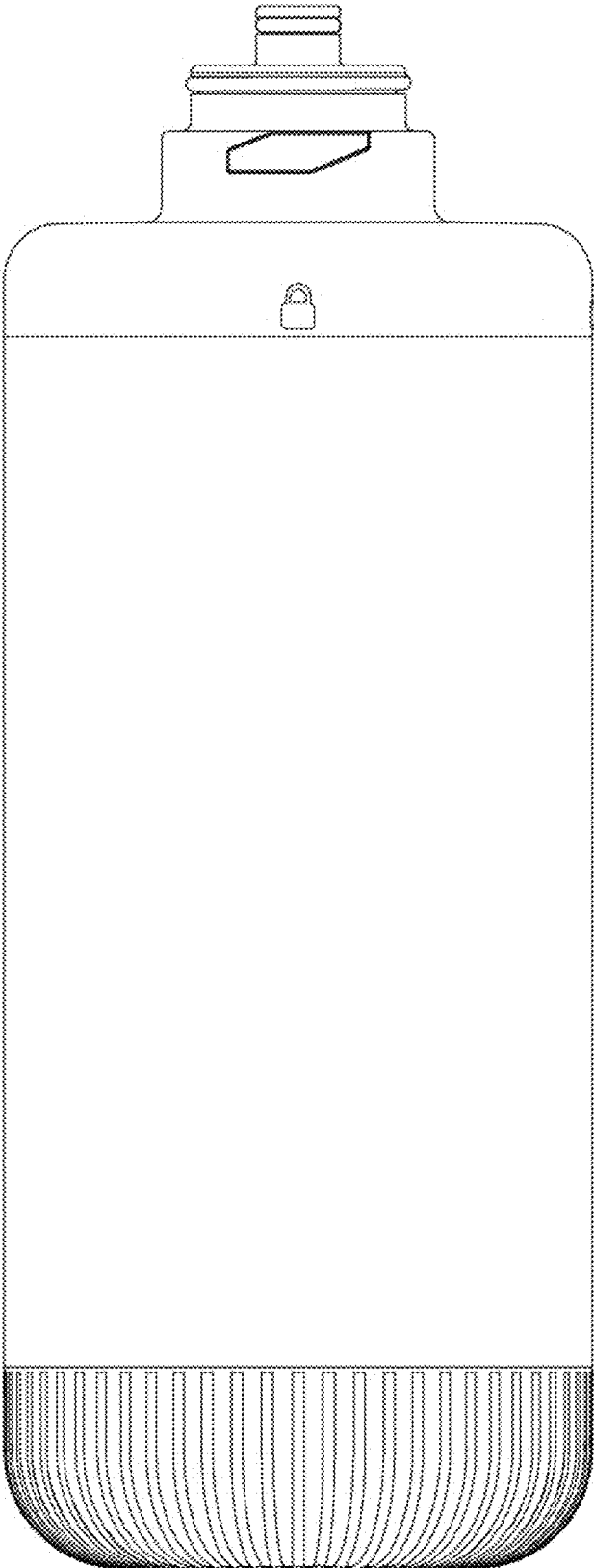
1.2



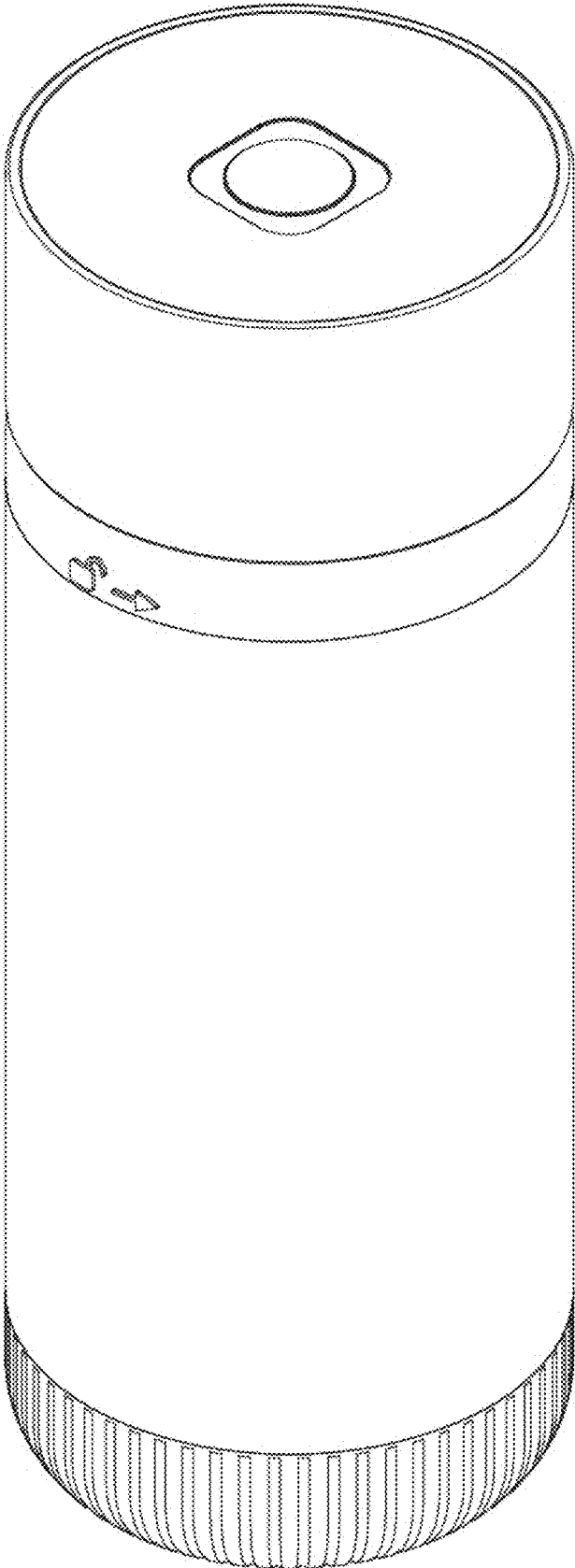
1.3



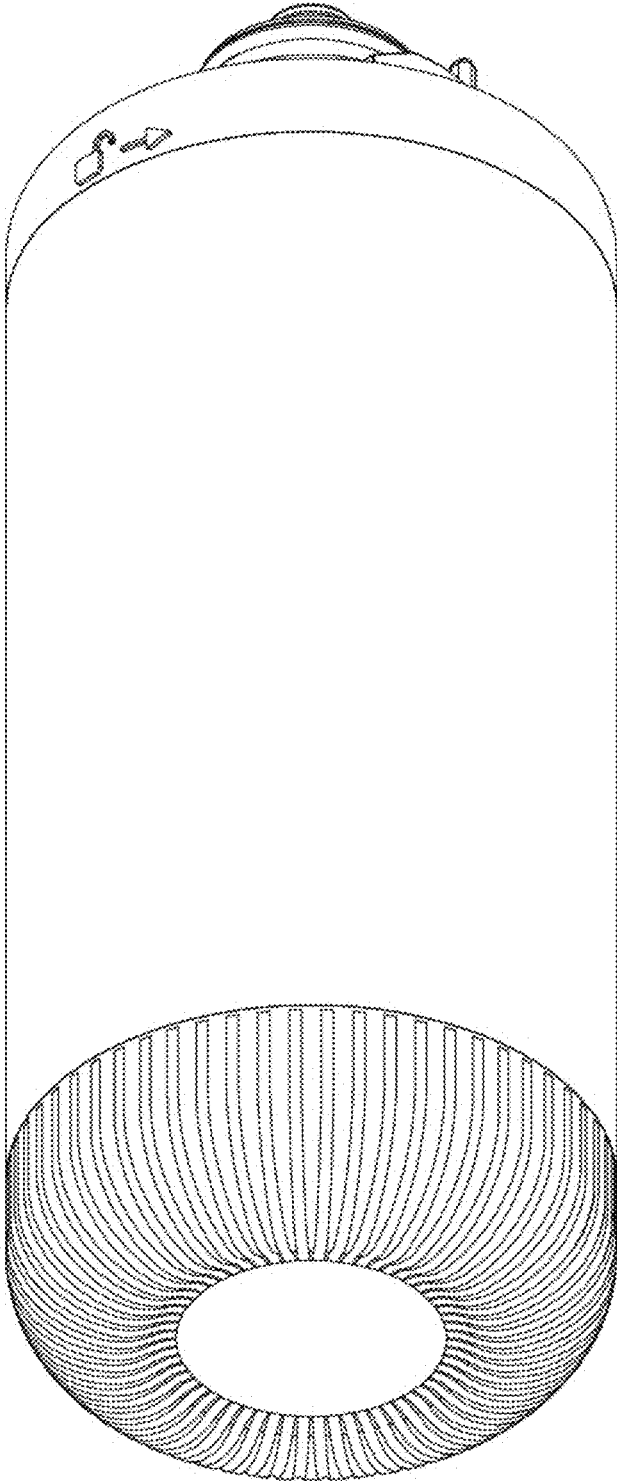
1.4



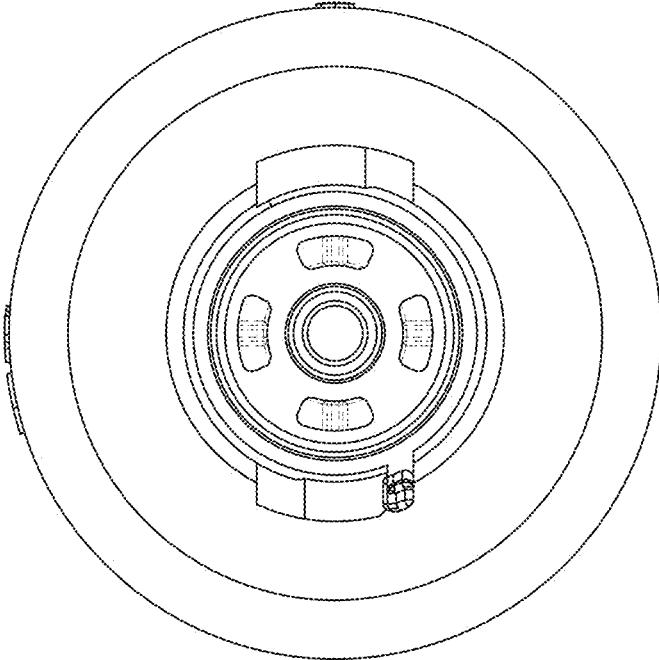
1.5



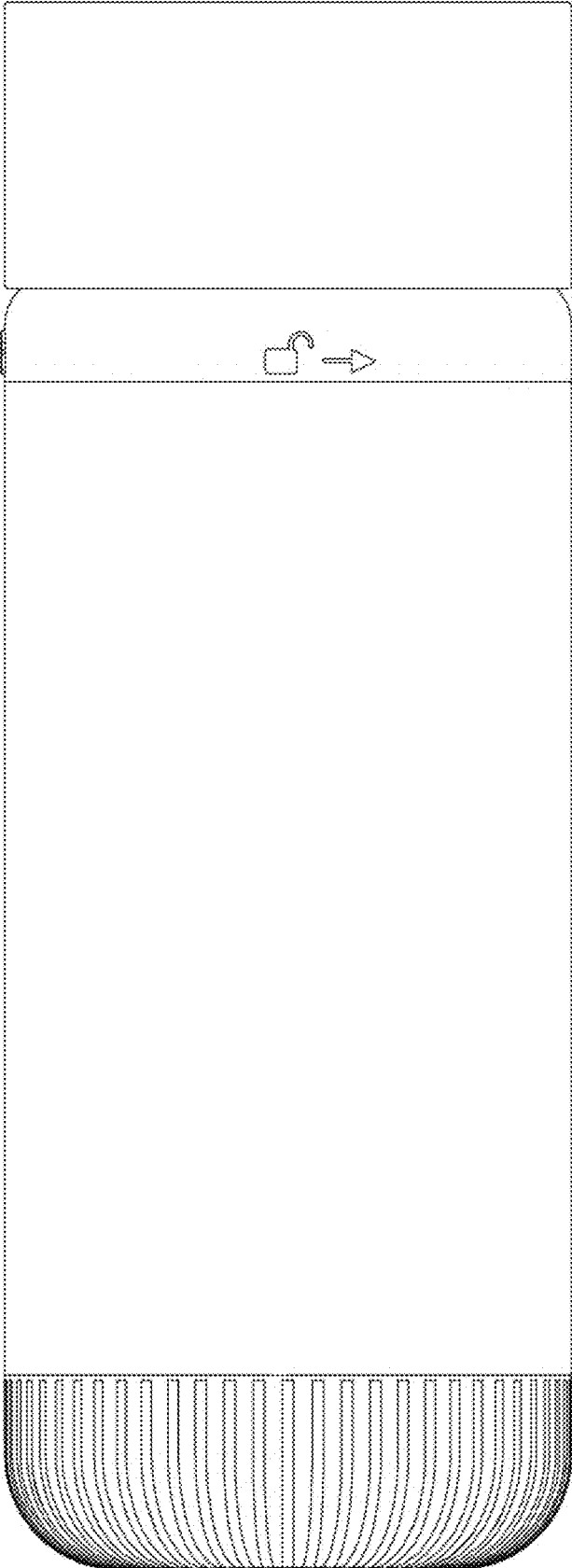
1.6



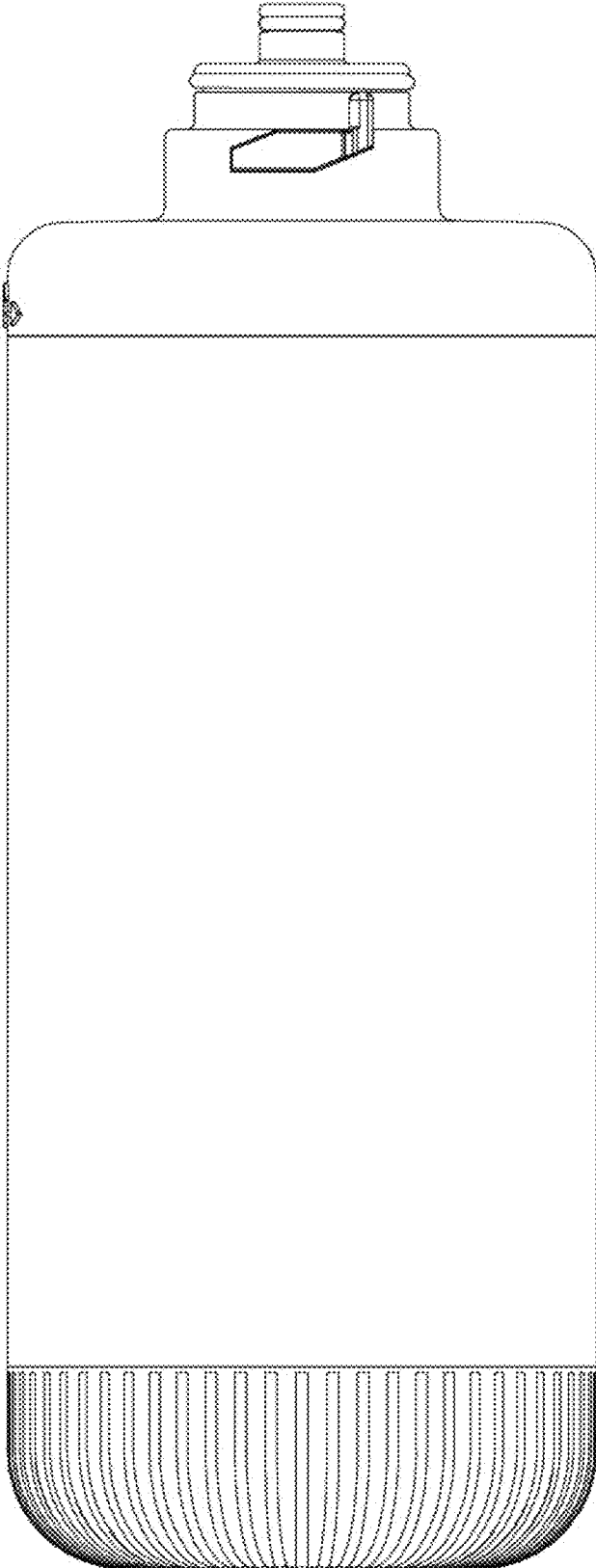
1.7



1.8



1.9



1.10

