



US00D895112S

(12) **United States Design Patent** (10) **Patent No.:** **US D895,112 S**
Miller et al. (45) **Date of Patent:** **** Sep. 1, 2020**

(54) **LAPAROSCOPIC BIPOLAR ELECTROSURGICAL DEVICE**
(71) Applicant: **Ethicon LLC**, Guaynabo, PR (US)
(72) Inventors: **Matthew C. Miller**, Cincinnati, OH (US); **Chad P. Boudreaux**, Cincinnati, OH (US); **Shawn C. Snyder**, Greendale, IN (US)
(73) Assignee: **Ethicon LLC**, Guaynabo, PR (US)
(**) Term: **15 Years**
(21) Appl. No.: **29/670,383**
(22) Filed: **Nov. 15, 2018**
(51) **LOC (12) Cl.** **24-02**
(52) **U.S. Cl.**
USPC **D24/144; D24/146**
(58) **Field of Classification Search**
USPC **D24/143-149, 133**
CPC **A61B 17/2841; A61B 17/285; A61B 17/2909; A61B 17/29; A61B 17/295; A61B 2017/2901; A61B 2017/320028; A61B 18/1445; A61B 2018/1455**
See application file for complete search history.

4,196,836 A 4/1980 Becht
4,203,430 A 5/1980 Takahashi
4,235,177 A 11/1980 Arbuckle
4,239,308 A 12/1980 Bradley
4,406,237 A 9/1983 Eguchi
4,417,532 A 11/1983 Yasukata
4,440,171 A 4/1984 Nomoto
4,557,265 A 12/1985 Andersson
4,624,254 A 11/1986 McGarry et al.
4,880,015 A 11/1989 Nierman
4,890,614 A 1/1990 Kawada
4,899,746 A 2/1990 Brunk
4,942,866 A 7/1990 Usami
5,020,514 A 6/1991 Heckele
5,052,402 A 10/1991 Bencini et al.
5,133,723 A 7/1992 Li
D330,253 S 10/1992 Burek
5,209,747 A 5/1993 Knoepfler
5,224,954 A 7/1993 Watts
5,282,806 A 2/1994 Haber et al.
5,289,963 A 3/1994 McGarry et al.
5,306,281 A 4/1994 Beurrier
5,308,353 A 5/1994 Beurrier
5,312,023 A 5/1994 Green et al.
5,318,578 A 6/1994 Hasson

(Continued)

Primary Examiner — Wan Laymon

(57) **CLAIM**

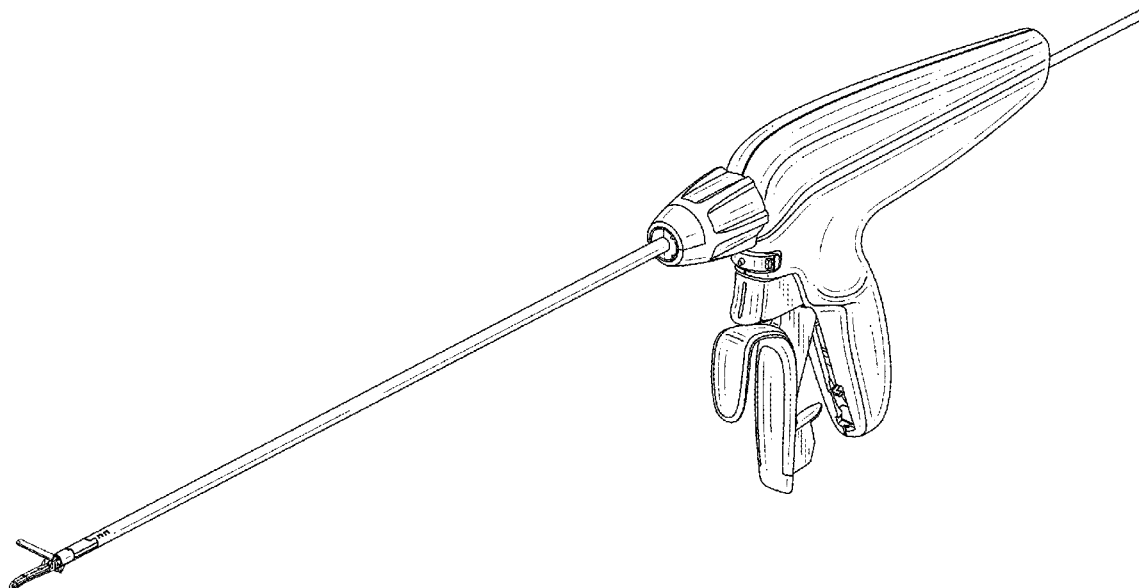
The ornamental design for a laparoscopic bipolar electro-surgical device, as shown and described.

DESCRIPTION

FIG. 1 is a top perspective view of a laparoscopic bipolar electro-surgical device;
FIG. 2 is a top plan view thereof;
FIG. 3 is a right side elevation view thereof;
FIG. 4 is a bottom plan view thereof;
FIG. 5 is a left side elevation view thereof;
FIG. 6 is a front elevation view thereof; and,
FIG. 7 is a rear elevation view thereof.

1 Claim, 4 Drawing Sheets

(56) **References Cited**
U.S. PATENT DOCUMENTS
1,203,244 A 10/1916 Nash
1,579,379 A 4/1926 Marbel
1,822,330 A 9/1931 Ainslie
1,884,149 A 10/1932 Nullmeyer
2,291,181 A 7/1942 Alderman
3,168,097 A 2/1965 Earlco
3,598,281 A 8/1971 Watermeier
3,749,238 A 7/1973 Taylor
4,027,608 A 6/1977 Arbuckle
4,123,982 A 11/1978 Bess, Jr.



(56)

References Cited

U.S. PATENT DOCUMENTS

5,330,502	A	7/1994	Hassler et al.	5,947,982	A	9/1999	Duran
5,344,061	A	9/1994	Crainich	5,954,731	A	9/1999	Yoon
5,383,888	A	1/1995	Zvenyatsky et al.	5,954,733	A	9/1999	Yoon
5,389,103	A	2/1995	Melzer	5,976,074	A	11/1999	Moriyama
5,403,347	A	4/1995	Roby	5,993,381	A	11/1999	Ito
5,403,354	A	4/1995	Adams	5,993,466	A	11/1999	Yoon
5,437,681	A	8/1995	Meade	6,016,905	A	1/2000	Gemma
5,454,823	A	10/1995	Richardson	6,053,908	A	4/2000	Crainich
5,458,609	A	10/1995	Gordon et al.	6,056,771	A	5/2000	Proto
5,470,338	A	11/1995	Whitfield et al.	6,068,647	A	5/2000	Witt
5,478,344	A	12/1995	Stone	6,071,289	A	6/2000	Stefanchik
5,478,345	A	12/1995	Stone	6,096,051	A	6/2000	Kortenbach
5,480,406	A	1/1996	Nolan	6,086,601	A	7/2000	Yoon
5,527,321	A	6/1996	Hinchliffe	6,126,666	A	10/2000	Trapp
5,540,704	A	7/1996	Gordon et al.	6,129,741	A	10/2000	Wurster
5,540,705	A	7/1996	Meade	6,135,385	A	10/2000	Martinez
5,540,706	A	7/1996	Aust	6,136,010	A	10/2000	Modesitt
5,549,542	A	8/1996	Kovalcheck	6,138,440	A	10/2000	Gemma
5,553,477	A	9/1996	Eisensmith	6,152,934	A	11/2000	Harper
5,554,170	A	9/1996	Roby	6,162,208	A	12/2000	Hipps
5,560,532	A	10/1996	DeFonzo et al.	6,214,030	B1	4/2001	Matsutani
5,569,301	A	10/1996	Granger	6,231,565	B1	5/2001	Tovey
5,571,090	A	11/1996	Sherts	6,332,888	B1	12/2001	Levy
5,591,181	A	1/1997	Stone	6,332,889	B1	12/2001	Sancoff
5,593,421	A	1/1997	Bauer	6,364,888	B1	4/2002	Niemeyer et al.
5,607,450	A	3/1997	Zvenyatsky et al.	6,443,962	B1	9/2002	Gaber
5,610,653	A	3/1997	Abecassis	6,454,778	B2	9/2002	Kortenbach
5,617,952	A	4/1997	Kranendonk	6,458,142	B1	10/2002	Faller et al.
5,630,825	A	5/1997	De	6,481,568	B1	11/2002	Cerwin
5,632,432	A	5/1997	Schulze et al.	6,533,112	B2	3/2003	Warnecke
5,632,746	A	5/1997	Middleman	6,682,544	B2	1/2004	Mastri
5,643,295	A	7/1997	Yoon	6,719,763	B2	4/2004	Chung
5,645,552	A	7/1997	Sherts	6,719,764	B1	4/2004	Gellman
5,649,961	A	7/1997	McGregor et al.	6,743,239	B1	6/2004	Kuehn
D383,539	S	9/1997	Croley	6,755,843	B2	6/2004	Chung
5,665,096	A	9/1997	Yoon	6,783,524	B2	8/2004	Anderson et al.
5,665,109	A	9/1997	Yoon	6,783,537	B1	8/2004	Kuhr
5,669,490	A	9/1997	Colligan	D496,997	S	10/2004	Dycus
5,674,229	A	10/1997	Tovey	6,923,819	B2	8/2005	Meade
5,674,230	A	10/1997	Tovey	6,936,054	B2	8/2005	Chu
5,693,071	A	12/1997	Gorecki	6,939,358	B2	9/2005	Palacios et al.
5,702,408	A	12/1997	Wales et al.	6,955,643	B2	10/2005	Gellman
5,707,379	A	1/1998	Fleenor	7,004,951	B2	2/2006	Gibbens, III
5,709,693	A	1/1998	Taylor	7,022,085	B2	4/2006	Cooke
5,713,910	A	2/1998	Gordon	7,041,111	B2	5/2006	Chu
5,728,107	A	3/1998	Zlock	7,131,979	B2	11/2006	DiCarlo et al.
5,728,108	A	3/1998	Griffiths	7,144,401	B2	12/2006	Yamamoto
5,728,109	A	3/1998	Schulze	7,156,846	B2	1/2007	Dycus
5,733,293	A	3/1998	Scirica	7,232,447	B2	6/2007	Gellman
5,741,277	A	4/1998	Gordon	7,235,087	B2	6/2007	Modesitt
5,755,729	A	5/1998	De	7,278,563	B1	10/2007	Green
5,759,188	A	6/1998	Yoon	7,338,504	B2	3/2008	Gibbens
5,766,186	A	6/1998	Faraz	7,442,198	B2	10/2008	Gellman
5,766,196	A	6/1998	Griffiths	7,491,166	B2	2/2009	Ueno
5,776,186	A	7/1998	Uflacker	7,520,382	B2	4/2009	Kennedy
5,792,135	A	8/1998	Madhani et al.	7,524,320	B2	4/2009	Tierney et al.
5,792,151	A	8/1998	Heck	D594,983	S	6/2009	Price
5,797,927	A	8/1998	Yoon	7,582,096	B2	9/2009	Gellman
5,814,054	A	9/1998	Kortenbach	7,588,583	B2	9/2009	Hamilton
5,814,069	A	9/1998	Schulze	7,604,611	B2	10/2009	Falwell
5,817,084	A	10/1998	Jensen	7,615,060	B2	11/2009	Stokes
5,846,254	A	12/1998	Schulze et al.	7,628,796	B2	12/2009	Shelton, IV et al.
5,860,992	A	1/1999	Daniel	7,637,369	B2	12/2009	Kennedy
5,865,836	A	2/1999	Miller	7,666,194	B2	2/2010	Field
5,871,488	A	2/1999	Tovey	7,686,831	B2	3/2010	Stokes
5,878,193	A	3/1999	Wang et al.	7,691,095	B2	4/2010	Bednarek
5,888,192	A	3/1999	Heimberger	7,691,098	B2	4/2010	Wallace et al.
5,897,563	A	4/1999	Yoon	7,699,860	B2	4/2010	Huitema
5,904,667	A	5/1999	Falwell	7,703,653	B2	4/2010	Shah et al.
5,908,428	A	6/1999	Scirica	D618,797	S	6/2010	Price
5,911,727	A	6/1999	Taylor	7,763,036	B2	7/2010	Stokes
5,921,956	A	7/1999	Grinberg	D621,932	S	8/2010	Sonleiter et al.
5,928,668	A	7/1999	Greaves	7,766,925	B2	8/2010	Stokes
5,941,430	A	8/1999	Kuwabara	7,770,365	B2	8/2010	Enriquez, III
5,944,724	A	8/1999	Lizardi	7,806,891	B2	10/2010	Nowlin et al.
				7,815,654	B2	10/2010	Chu
				7,824,401	B2	11/2010	Manzo et al.
				7,828,812	B2	11/2010	Stokes
				7,833,235	B2	11/2010	Chu

(56)

References Cited

U.S. PATENT DOCUMENTS

7,833,236	B2	11/2010	Stokes	8,696,687	B2	4/2014	Gellman
7,842,048	B2	11/2010	Ma	8,702,729	B2	4/2014	Chu
D629,098	S	12/2010	Sonleiter et al.	8,702,732	B2	4/2014	Woodard, Jr.
7,846,169	B2	12/2010	Shelton, IV	8,709,021	B2	4/2014	Chu
7,857,812	B2	12/2010	Dycus	8,746,445	B2	6/2014	Kennedy
7,862,572	B2	1/2011	Meade	8,747,304	B2	6/2014	Zeiner
7,862,575	B2	1/2011	Tal	8,771,295	B2	7/2014	Chu
7,862,582	B2	1/2011	Ortiz	8,821,518	B2	9/2014	Saliman
D631,965	S	2/2011	Price	8,821,519	B2	9/2014	Meade
7,887,554	B2	2/2011	Stokes	8,833,549	B2	9/2014	Kirsch
7,891,485	B2	2/2011	Prescott	8,858,572	B2	10/2014	Klundt
7,896,890	B2	3/2011	Ortiz	D716,945	S	11/2014	Miller et al.
7,909,220	B2	3/2011	Viola	D718,435	S	11/2014	Deckman et al.
7,922,063	B2	4/2011	Zemlok et al.	8,906,043	B2	12/2014	Woodard, Jr.
7,935,128	B2	5/2011	Rioux	8,920,440	B2	12/2014	Mcclurg
7,942,886	B2	5/2011	Alvarado	8,920,441	B2	12/2014	Saliman
7,947,052	B2	5/2011	Baxter, III	8,925,783	B2	1/2015	Zemlok
7,976,553	B2	7/2011	Shelton, IV	D724,209	S	3/2015	Sun
7,976,555	B2	7/2011	Meade	8,968,337	B2	3/2015	Whitfield
7,993,354	B1	8/2011	Brecher et al.	8,968,356	B2	3/2015	Mueller
8,012,161	B2	9/2011	Primavera	9,060,769	B2	6/2015	Coleman
8,016,840	B2	9/2011	Takemoto	9,113,861	B2	8/2015	Yoo
8,021,375	B2	9/2011	Aldrich	9,113,876	B2	8/2015	Racenet
8,048,092	B2	11/2011	Modesitt	D737,966	S	9/2015	Meguro
8,057,386	B2	11/2011	Aznoian	9,125,645	B1	9/2015	Martin
8,066,737	B2	11/2011	Meade	9,168,037	B2	10/2015	Woodard, Jr.
8,100,922	B2	1/2012	Griffith	D745,146	S	12/2015	Hess
8,118,820	B2	2/2012	Stokes	D745,670	S	12/2015	Czupalla
8,123,752	B2	2/2012	Zucherman	D747,477	S	1/2016	Freigang et al.
8,123,764	B2	2/2012	Meade	D747,802	S	1/2016	Freigang et al.
8,136,656	B2	3/2012	Kennedy	D748,254	S	1/2016	Freigang et al.
8,187,288	B2	5/2012	Chu	9,241,712	B2	1/2016	Zemlok
D661,801	S	6/2012	Price	9,247,938	B2	2/2016	Martin
D661,803	S	6/2012	Price	D752,737	S	3/2016	Ohashi
D661,804	S	6/2012	Price	9,277,916	B2	3/2016	Martin
8,196,739	B2	6/2012	Kirsch	9,289,206	B2	3/2016	Hess
8,201,721	B2	6/2012	Zemlok et al.	D754,856	S	4/2016	Martin
8,206,284	B2	6/2012	Aznoian	9,314,292	B2	4/2016	Trees
8,211,143	B2	7/2012	Stefanchik	9,351,754	B2	5/2016	Vakharia
8,236,010	B2	8/2012	Ortiz et al.	9,357,998	B2	6/2016	Martin
8,236,013	B2	8/2012	Chu	9,370,354	B1	6/2016	Martin
8,241,320	B2	8/2012	Lyons	9,375,212	B2	6/2016	Martin
8,246,637	B2	8/2012	Viola	9,402,680	B2	8/2016	Ginnebaugh et al.
8,252,008	B2	8/2012	Ma	9,427,226	B2	8/2016	Martin
8,256,613	B2	9/2012	Kirsch	9,427,228	B2	8/2016	Hart
8,257,369	B2	9/2012	Gellman	9,451,946	B2	9/2016	Woodard, Jr.
8,257,371	B2	9/2012	Hamilton	D768,854	S	10/2016	Halleck et al.
8,292,067	B2	10/2012	Chowaniec	D771,811	S	11/2016	Reyhan
8,292,906	B2	10/2012	Taylor	9,486,209	B2	11/2016	Martin
8,307,978	B2	11/2012	Kirsch	9,498,207	B2	11/2016	Martin
8,333,776	B2	12/2012	Cheng	9,526,495	B2	12/2016	Martin
D674,913	S	1/2013	Koop	D776,259	S	1/2017	Eldredge
8,361,089	B2	1/2013	Chu	D776,260	S	1/2017	Eldredge
8,366,725	B2	2/2013	Chu	D777,327	S	1/2017	Halleck et al.
8,372,090	B2	2/2013	Wingardner	9,554,793	B2	1/2017	Lane
8,398,660	B2	3/2013	Chu	D794,193	S	8/2017	Schuerg
8,460,320	B2	6/2013	Hirzel	D798,445	S	9/2017	Heni et al.
8,469,973	B2	6/2013	Meade	9,782,164	B2	10/2017	Mumaw
8,474,522	B2	7/2013	Lynde	9,788,830	B2	10/2017	Martin
8,490,713	B2	7/2013	Furnish	D803,396	S	11/2017	Oberkircher et al.
D687,549	S	8/2013	Johnson	D806,230	S	12/2017	Johnson et al.
8,500,756	B2	8/2013	Papa	9,949,788	B2	4/2018	Boudreaux
8,512,243	B2	8/2013	Stafford	9,993,284	B2*	6/2018	Boudreaux A61B 18/1445
8,518,058	B2	8/2013	Gellman	10,076,379	B2	9/2018	Boudreaux
8,551,122	B2	10/2013	Lau	10,166,065	B2*	1/2019	Boudreaux A61B 17/295
8,556,069	B2	10/2013	Kirsch	D865,964	S *	11/2019	Miller D24/144
8,562,630	B2	10/2013	Campbell	2001/0025134	A1	9/2001	Bon
8,568,428	B2	10/2013	Mcclurg	2001/0027312	A1	10/2001	Bacher et al.
8,579,918	B2	11/2013	Whitfield	2002/0138084	A1	9/2002	Weber
8,585,734	B2	11/2013	Hallbeck	2002/0193809	A1	12/2002	Meade
8,603,089	B2	12/2013	Viola	2003/0073902	A1	4/2003	Hauschild et al.
8,623,027	B2	1/2014	Price et al.	2003/0083674	A1	5/2003	Gibbens
8,623,048	B2	1/2014	Brecher	2003/0208100	A1	11/2003	Levy
8,641,728	B2	2/2014	Stokes	2003/0233104	A1	12/2003	Gellman et al.
8,663,253	B2	3/2014	Saliman	2004/0050721	A1	3/2004	Roby
				2004/0172047	A1	9/2004	Gellman
				2004/0260314	A1	12/2004	Lizardi
				2005/0015101	A1	1/2005	Gibbens
				2005/0216038	A1	9/2005	Meade

(56)

References Cited

U.S. PATENT DOCUMENTS

2006/0036232	A1	2/2006	Primavera	2012/0109163	A1	5/2012	Chu	
2006/0047309	A1	3/2006	Cichocki, Jr.	2012/0116388	A1	5/2012	Houser	
2006/0069396	A1	3/2006	Meade et al.	2012/0123471	A1	5/2012	Woodard, Jr.	
2006/0111732	A1	5/2006	Gibbens	2012/0130404	A1	5/2012	Meade	
2006/0173491	A1	8/2006	Meade	2012/0143248	A1	6/2012	Brecher	
2006/0190027	A1	8/2006	Downey	2012/0165837	A1	6/2012	Belman	
2006/0259073	A1	11/2006	Miyamoto	2012/0165838	A1	6/2012	Kobylewski	
2006/0281970	A1	12/2006	Stokes	2012/0184946	A1	7/2012	Price	
2006/0282096	A1	12/2006	Papa	2012/0215234	A1	8/2012	Chowaniec	
2006/0282097	A1	12/2006	Ortiz	2012/0220832	A1	8/2012	Nakade	
2006/0282098	A1	12/2006	Shelton, IV et al.	2012/0226292	A1	9/2012	Hirzel	
2006/0282099	A1	12/2006	Stokes	2012/0228163	A1	9/2012	Kirsch	
2007/0088372	A1	4/2007	Gellman	2012/0232567	A1	9/2012	Fairney	
2007/0162052	A1	7/2007	Hashimoto	2012/0283748	A1	11/2012	Ortiz	
2007/0173864	A1	7/2007	Chu	2012/0283750	A1	11/2012	Saliman	
2007/0256945	A1	11/2007	Kennedy	2012/0283755	A1	11/2012	Gellman	
2008/0091220	A1	4/2008	Chu	2013/0041388	A1	2/2013	Lane	
2008/0103357	A1	5/2008	Zeiner	2013/0103024	A1	4/2013	Monson	
2008/0109015	A1	5/2008	Chu et al.	2013/0103065	A1	4/2013	Timm	
2008/0132919	A1	6/2008	Chui	2013/0123782	A1	5/2013	Trees	
2008/0177134	A1	7/2008	Miyamoto	2013/0158593	A1	6/2013	Kiapour	
2008/0228204	A1	9/2008	Hamilton	2013/0282031	A1	10/2013	Woodard, Jr.	
2008/0243146	A1	10/2008	Sloan	2013/0296889	A1	11/2013	Tong	
2008/0255590	A1	10/2008	Meade	2013/0324998	A1	12/2013	Kimball	
2009/0024145	A1	1/2009	Meade	2013/0331866	A1	12/2013	Gellman	
2009/0084826	A1	4/2009	Shah	2014/0005681	A1	1/2014	Gee	
2009/0088792	A1	4/2009	Hoell, Jr.	2014/0005704	A1	1/2014	Vakharia	
2009/0105750	A1	4/2009	Price	2014/0008621	A1	1/2014	Kaminaga	
2009/0205987	A1	8/2009	Kennedy	2014/0012237	A1	1/2014	Pribanic et al.	
2009/0209980	A1	8/2009	Harris	2014/0110456	A1	4/2014	Taylor	
2009/0248041	A1	10/2009	Williams	2014/0166514	A1	6/2014	Martin et al.	
2009/0259092	A1	10/2009	Ogdahl	2014/0171978	A1	6/2014	Martin	
2009/0287226	A1	11/2009	Gellman	2014/0171979	A1	6/2014	Martin	
2009/0312772	A1	12/2009	Chu	2014/0172015	A1	6/2014	Martin	
2010/0010512	A1	1/2010	Taylor	2014/0228865	A1	8/2014	Weisel et al.	
2010/0016866	A1	1/2010	Meade	2014/0277107	A1	9/2014	Ishida et al.	
2010/0023024	A1	1/2010	Zeiner et al.	2014/0305988	A1	10/2014	Boudreaux	
2010/0036415	A1	2/2010	Cabezas	2015/0088133	A1	3/2015	Minskoff et al.	
2010/0042116	A1	2/2010	Chui	2015/0127024	A1	5/2015	Berry	
2010/0063519	A1	3/2010	Park	2015/0142020	A1	5/2015	Woodard, Jr.	
2010/0078336	A1	4/2010	Reyhan	2015/0272660	A1	10/2015	Boudreaux et al.	
2010/0100125	A1	4/2010	Mahadevan	2015/0297286	A1*	10/2015	Boudreaux	A61B 18/1445 606/51
2010/0152751	A1	6/2010	Meade	2015/0351749	A1	12/2015	Martin	
2010/0274265	A1	10/2010	Wingardner	2015/0351756	A1	12/2015	Martin	
2011/0015627	A1	1/2011	DiNardo et al.	2015/0374372	A1	12/2015	Zergiebel et al.	
2011/0015631	A1	1/2011	Wiener	2016/0220099	A1	8/2016	Schouwink et al.	
2011/0028999	A1	2/2011	Chu	2016/0278848	A1*	9/2016	Boudreaux	A61B 18/1445
2011/0040308	A1	2/2011	Cabrera	2016/0331374	A1	11/2016	Martin et al.	
2011/0042245	A1	2/2011	Mcclurg	2016/0338766	A1	11/2016	Binnebaugh et al.	
2011/0046642	A1	2/2011	Mcclurg	2016/0361055	A1	12/2016	Martin et al.	
2011/0046667	A1	2/2011	Culligan	2016/0367240	A1	12/2016	Shelton, IV et al.	
2011/0060352	A1	3/2011	Chu	2017/0027611	A1	2/2017	Adams et al.	
2011/0082476	A1	4/2011	Furnish	2017/0112487	A1	4/2017	Martin et al.	
2011/0087213	A1	4/2011	Messerly	2017/0112489	A1	4/2017	Shelton, IV et al.	
2011/0163147	A1	7/2011	Laurent	2017/0143361	A1	5/2017	Boudreaux	
2011/0288582	A1	11/2011	Meade	2017/0143408	A1*	5/2017	Worrell	A61B 18/1445
2011/0295278	A1	12/2011	Meade	2017/0251913	A1	10/2017	Pepe et al.	
2012/0004672	A1	1/2012	Giap	2017/0290628	A1	10/2017	Pepe et al.	
2012/0035626	A1	2/2012	Chu	2017/0325671	A1	11/2017	Hopkins, Jr.	
2012/0041456	A1	2/2012	Gellman	2017/0343203	A1	11/2017	Birnkrant	
2012/0055828	A1	3/2012	Kennedy	2017/0360499	A1	12/2017	Greep et al.	
2012/0059396	A1	3/2012	Harris	2018/0199934	A1	7/2018	Martin	
2012/0078243	A1	3/2012	Worrell et al.	2018/0310983	A1*	11/2018	Worrell	A61B 18/1445
				2019/0090896	A1	3/2019	Boudreaux	

* cited by examiner

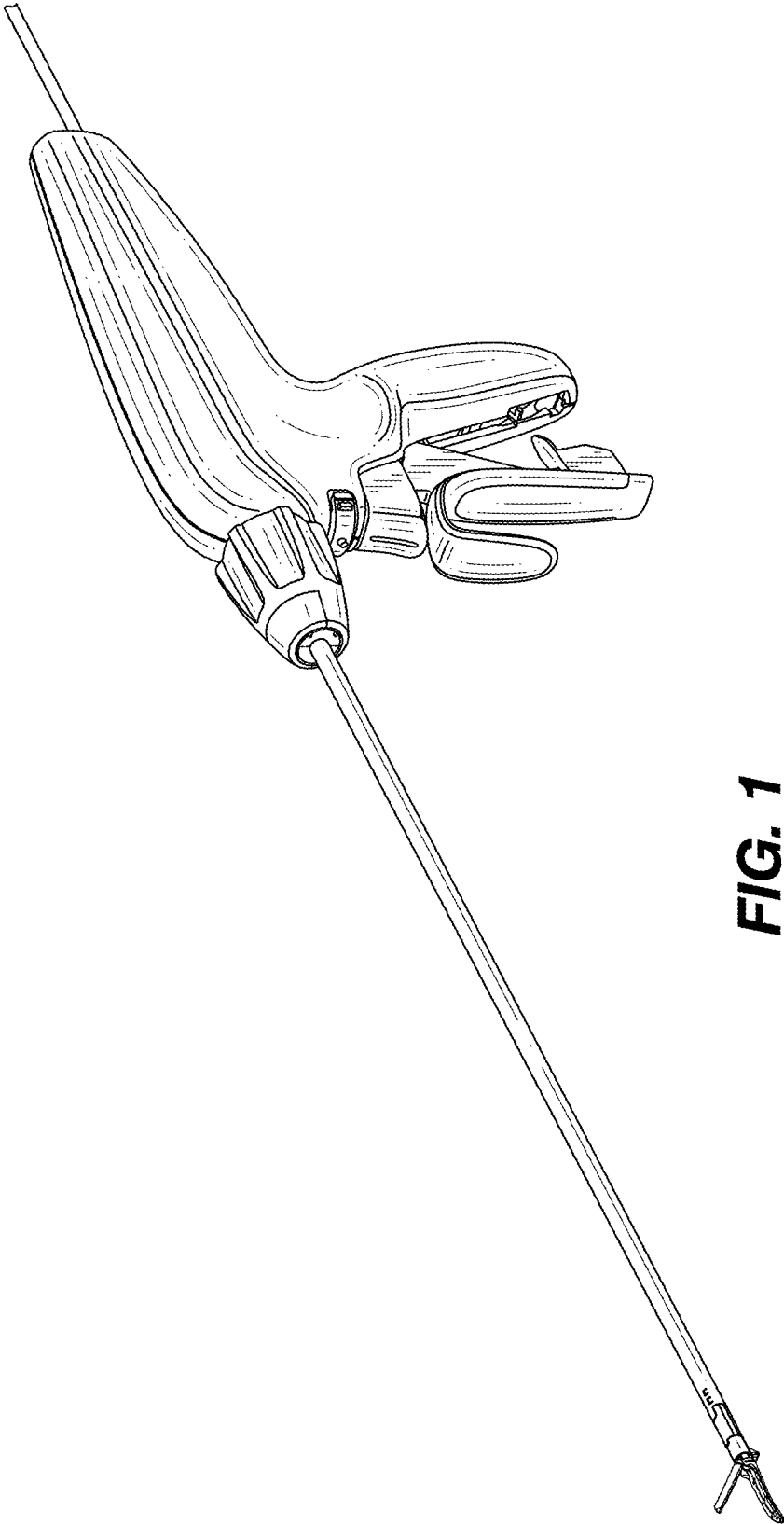


FIG. 1

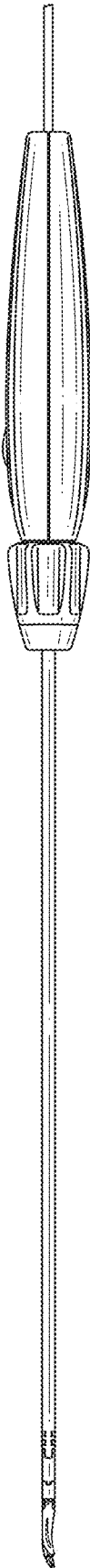


FIG. 2

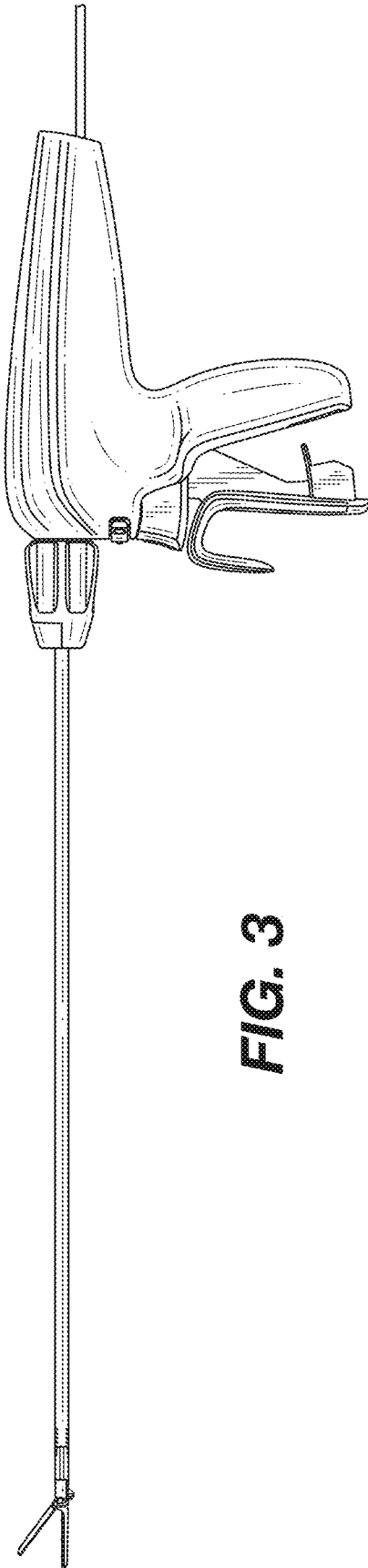


FIG. 3

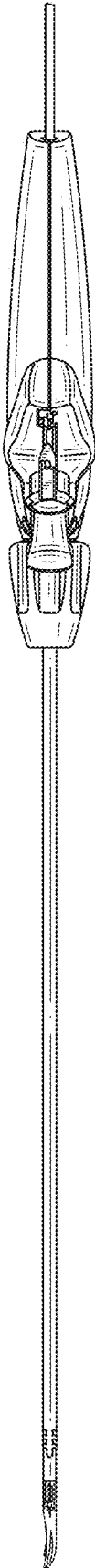


FIG. 4

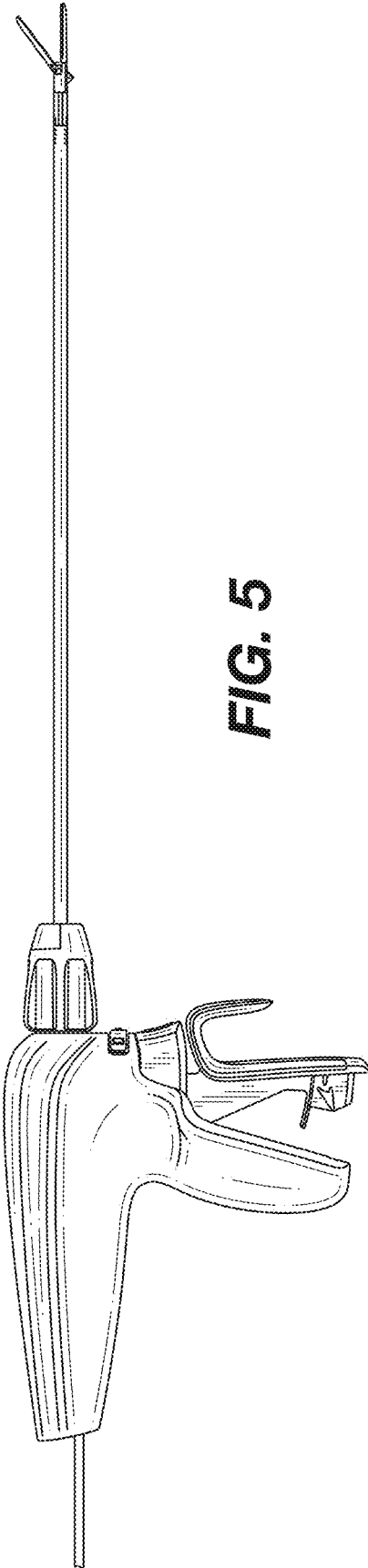


FIG. 5



FIG. 6

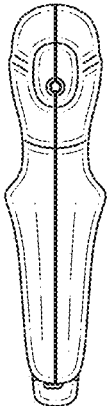


FIG. 7