



US00D767697S

(12) **United States Design Patent**  
**Deggs**

(10) **Patent No.:** **US D767,697 S**

(45) **Date of Patent:** **\*\* Sep. 27, 2016**

- (54) **BATTING AID FOR USE AS A TRAINING DEVICE**
- (71) Applicant: **Matthew Deggs**, Huntsville, TX (US)
- (72) Inventor: **Matthew Deggs**, Huntsville, TX (US)
- (\*\*) Term: **14 Years**
- (21) Appl. No.: **29/518,243**
- (22) Filed: **Feb. 20, 2015**
- (51) **LOC (10) Cl.** ..... **21-02**
- (52) **U.S. Cl.** ..... **D21/753**  
USPC ..... **D21/753**
- (58) **Field of Classification Search**  
USPC ..... D21/725, 753, 791  
CPC .. A63B 59/50; A63B 60/24; A63B 69/0002;  
A63B 2069/0008  
See application file for complete search history.

D590,902 S *	4/2009	De La Cruz	.....	D21/753
D659,212 S *	5/2012	Smith	.....	D21/753
D665,471 S *	8/2012	Fossum	.....	D21/753
D670,776 S *	11/2012	Fossum	.....	D21/753
D678,967 S *	3/2013	Fossum	.....	D21/753
D682,964 S *	5/2013	Smith	.....	D21/753
D697,153 S *	1/2014	Fossum	.....	D21/753
D733,235 S *	6/2015	Smith	.....	D21/753

\* cited by examiner

*Primary Examiner* — Mitchell Siegel

(74) *Attorney, Agent, or Firm* — Edmonds & Nolte, P.C.

(57) **CLAIM**

The ornamental design for a batting aid for use as a training device, as shown and described.

**DESCRIPTION**

FIG. 1 is a top perspective view of a batting aid for use as a training device;  
 FIG. 2 is a bottom perspective view thereof;  
 FIG. 3 is a side elevational view thereof; the undisclosed sides being identical;  
 FIG. 4 is a top plan view thereof; and,  
 FIG. 5 is a bottom plan view thereof.  
 The broken lines in the drawings are for illustrative purposes only and form no part of the claimed design.

**1 Claim, 2 Drawing Sheets**

(56) **References Cited**

U.S. PATENT DOCUMENTS

3,521,883 A *	7/1970	Hamilton	.....	A63B 59/50
				473/437
D387,831 S *	12/1997	George	.....	D21/753
5,954,591 A *	9/1999	Liberatore	.....	A63B 53/14
				473/205
6,010,415 A *	1/2000	Miggins	.....	A63B 69/0002
				473/437
D438,585 S *	3/2001	Pelot	.....	D21/753
D523,105 S *	6/2006	Bernacchi	.....	D21/725

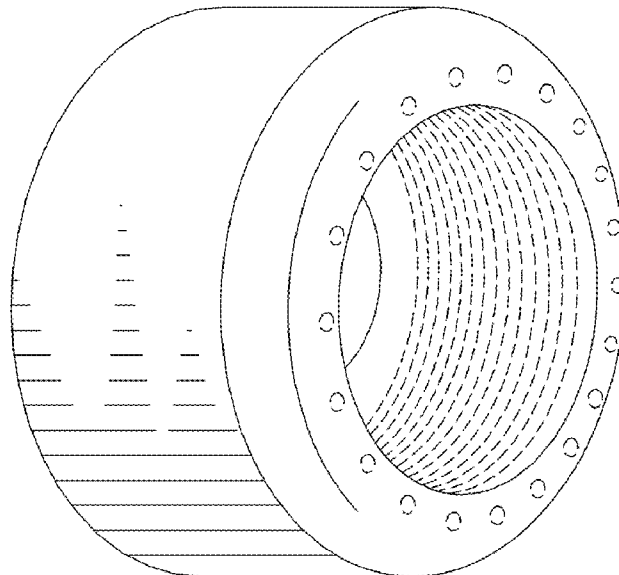


FIG. 1

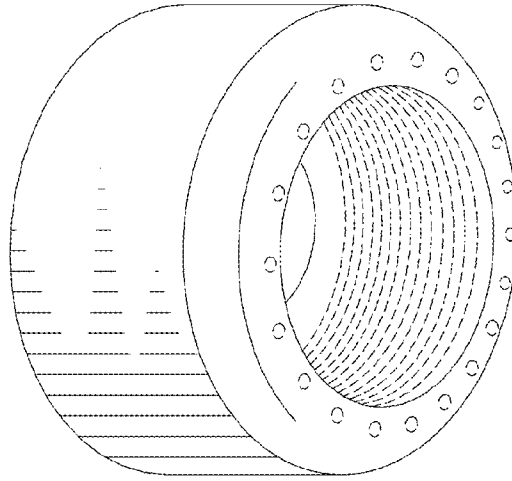


FIG. 2

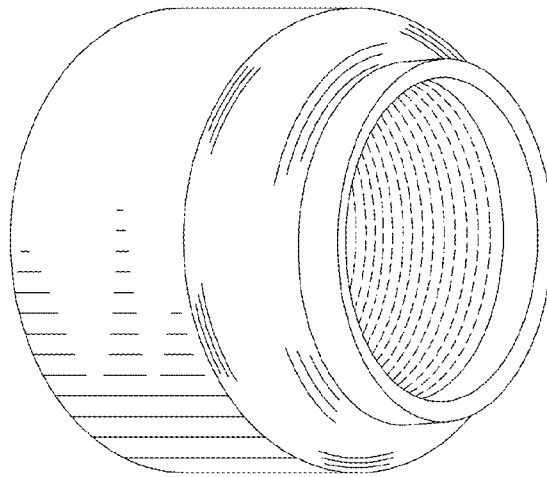
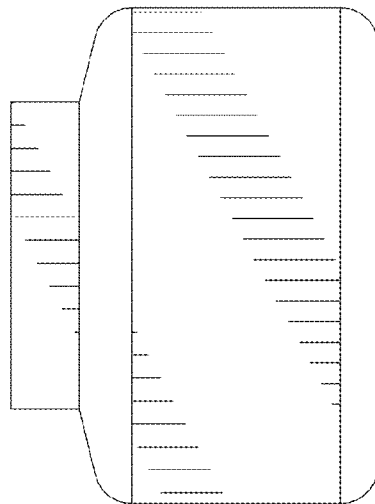


FIG. 3



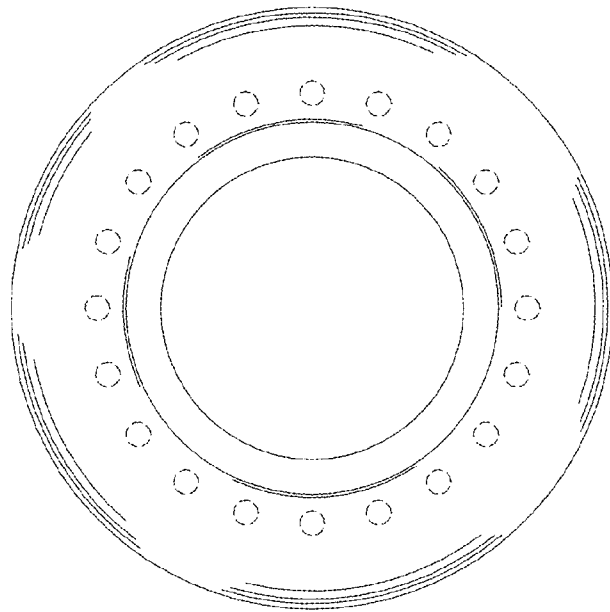


FIG. 4

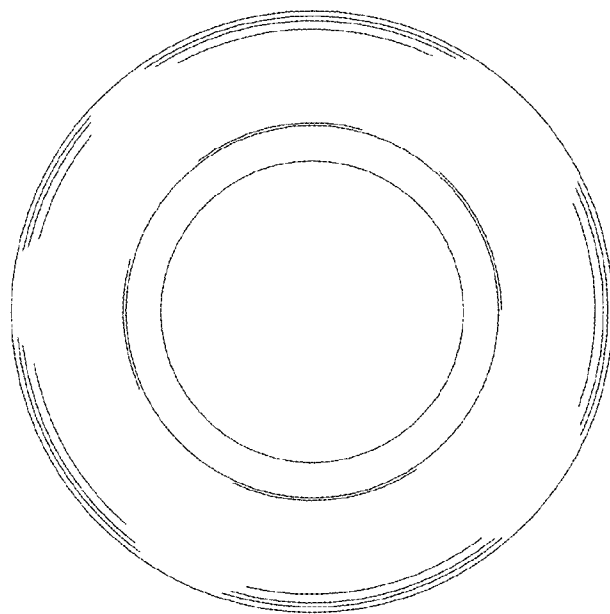


FIG. 5