



(12) **United States Design Patent**
Zhao et al.

(10) **Patent No.:** **US D1,027,247 S**
(45) **Date of Patent:** **** May 14, 2024**

(54) **BOOK LIGHT**

(71) Applicant: **ZHENGZHOU DEWENWILS NETWORK TECHNOLOGY CO., LTD.**, Henan (CN)
(72) Inventors: **Naiyao Zhao**, Henan (CN); **Yahui Fu**, Henan (CN); **Yafei Jing**, Henan (CN)
(**) Term: **15 Years**
(21) Appl. No.: **29/874,891**

(22) Filed: **Apr. 26, 2023**
(51) **LOC (14) Cl.** **26-05**
(52) **U.S. Cl.**
USPC **D26/60; D26/65**
(58) **Field of Classification Search**
USPC D26/24, 60–66, 106, 107
CPC F21L 4/00; F21L 4/005; F21L 4/04; F21V 21/08; F21V 21/88; F21V 21/0816; F21V 21/0885; F21V 21/14; F21V 21/26; F21V 21/32; F21W 2131/3005; F21K 9/20
See application file for complete search history.

(56) **References Cited**

U.S. PATENT DOCUMENTS

D526,433	S	*	8/2006	Li	D26/65
D929,634	S	*	8/2021	Saboo	D26/63
D981,617	S	*	3/2023	Jiang	D26/60
D985,817	S	*	5/2023	Jiang	D26/37
D998,210	S	*	9/2023	Jiang	D26/60
D999,958	S	*	9/2023	Wu	D26/60
D1,007,021	S	*	12/2023	Insley	D26/37
D1,009,329	S	*	12/2023	Wu	D26/37
2023/0392760	A1	*	12/2023	Wang	F21L 4/085

FOREIGN PATENT DOCUMENTS

EM	015019742-0001	*	4/2023
GB	6302344	*	8/2023
GB	6337063	*	1/2024

OTHER PUBLICATIONS

“Edishine” published on Amazon.com, date first available Aug. 1, 2023 [online], site visited Jan. 22, 2024, available from internet URL: <https://www.amazon.com/EDISHINE-Rechargeable-Stepless-Dimmable-Lightweight/dp/B0CDB6Y6H4/> (Year: 2023).*

(Continued)

Primary Examiner — Angela J Lee
Assistant Examiner — Liv C Anderson

(57) **CLAIM**

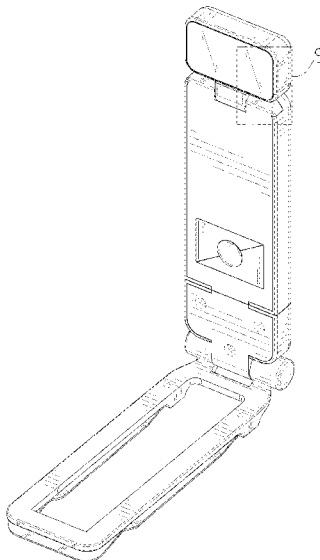
The ornamental design for a book light, as shown and described.

DESCRIPTION

FIG. 1 is a front, top perspective view of a book light, showing our, new design;
FIG. 2 is a rear, bottom perspective view thereof;
FIG. 3 is a front elevation view thereof;
FIG. 4 is a rear elevation view thereof;
FIG. 5 is a left side elevation view thereof;
FIG. 6 is a right side elevation view thereof;
FIG. 7 is a top plan view thereof;
FIG. 8 is a bottom plan view thereof;
FIG. 9 is an enlarged view of detail “9” identified in FIG. 1;
FIG. 10 is an exploded perspective view thereof; and,
FIG. 11 is another perspective view thereof, shown in an alternative position.

The dashed lines in the figures illustrate portions of the book light, that form no part of the claimed design. The dash dot dash lines in FIGS. 1 and 9 are for the purpose of illustrating the enlarged view indicators and form no part of the claimed design.

1 Claim, 11 Drawing Sheets



(56)

References Cited

OTHER PUBLICATIONS

“Awlkim” published on Amazon.com, date first available Oct. 17, 2023 [online], site visited Jan. 22, 2024, available from internet URL: <https://www.amazon.com/AWLKIM-Rechargeable-Reading-Display-Multi-Modal/dp/B0CL68P76W/> (Year: 2023).*

“86lux” published on Amazon.com, date first available Aug. 1, 2022 [online], site visited Jan. 22, 2024, available from internet URL: <https://www.amazon.com/86lux-Rechargeable-Ultralight-Bookmark-Stepless/dp/B0B84TC271/> (Year: 2022).*

“Dewenwils” published on Amazon.com, date first available Oct. 30, 2018 [online], site visited Jan. 22, 2024, available from internet URL: <https://www.amazon.com/DEWENWILS-Book-Light-Eye-Protection-LED/dp/B07H788N5T> (Year: 2018).*

“Gritin” published on Amazon.com, date first available May 10, 2023 [online], site visited Jan. 22, 2024, available from internet URL: <https://www.amazon.com/Gritin-Rechargeable-Function-Mini-Temperatures-Brightness/dp/B0C4L6H95M/> (Year: 2023).*

“Awiivee” published on Amazon.com, date first available Dec. 1, 2022 [online], site visited Jan. 22, 2024, available from internet URL: <https://www.amazon.com/Upgrade-Rechargeable-Reading-Portable-Brightness/dp/B0BNPJW5R> (Year: 2022).*

* cited by examiner

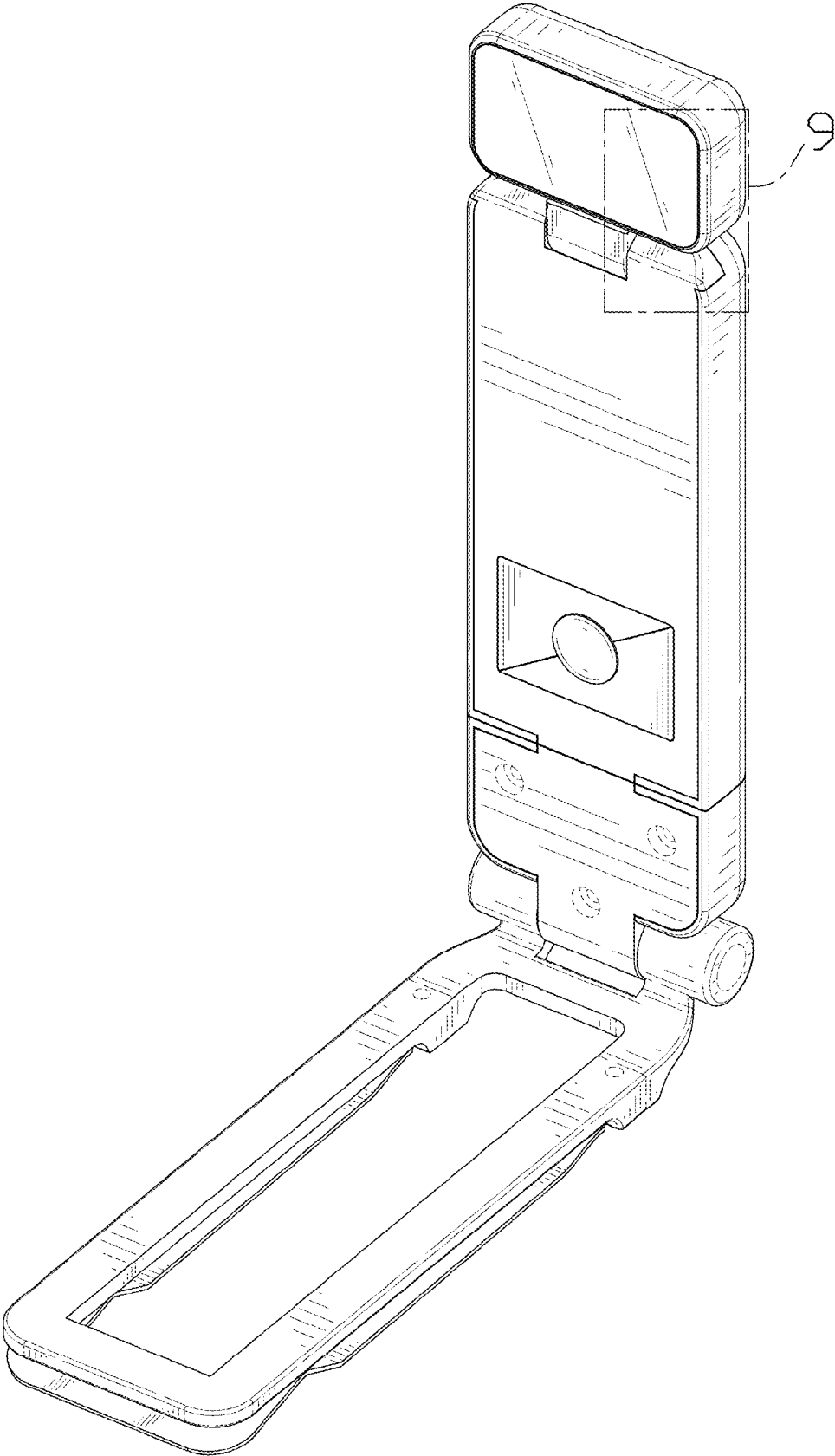


FIG. 1

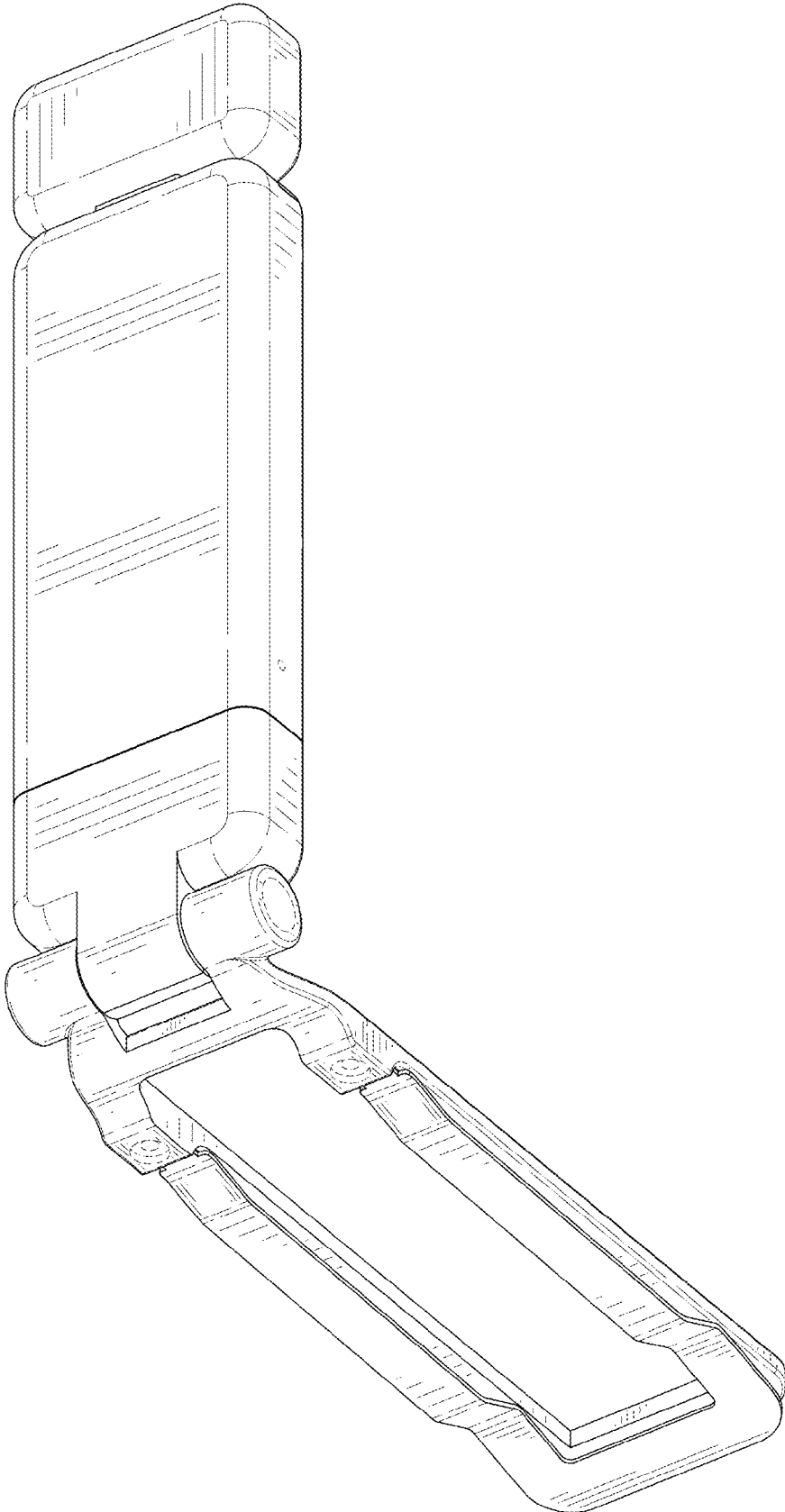


FIG. 2

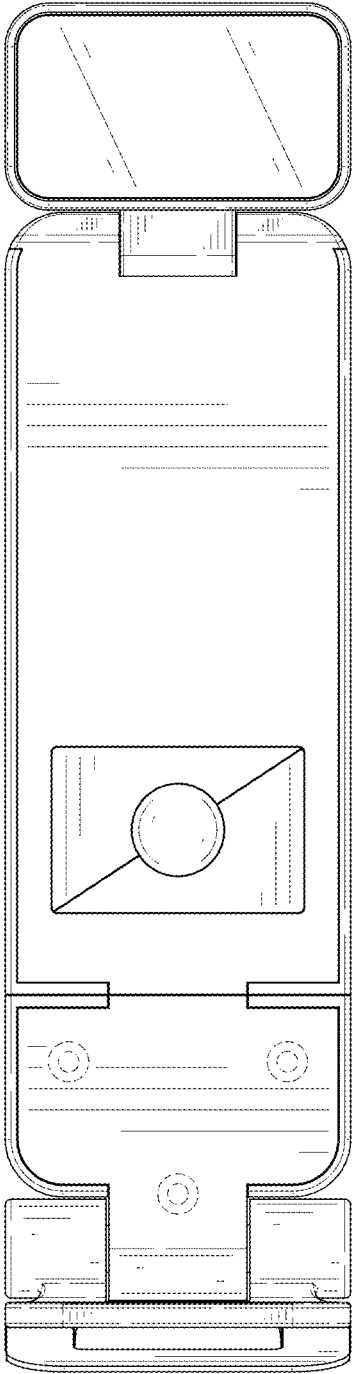


FIG. 3

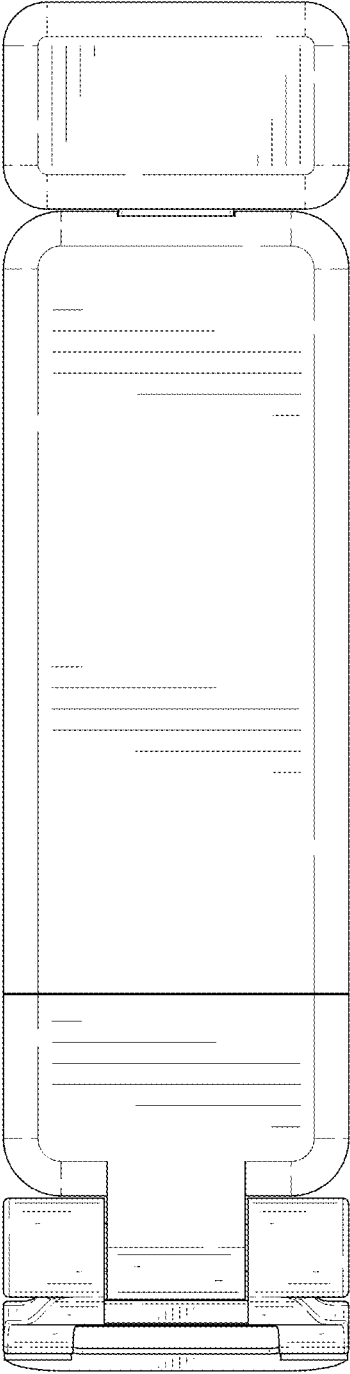


FIG. 4

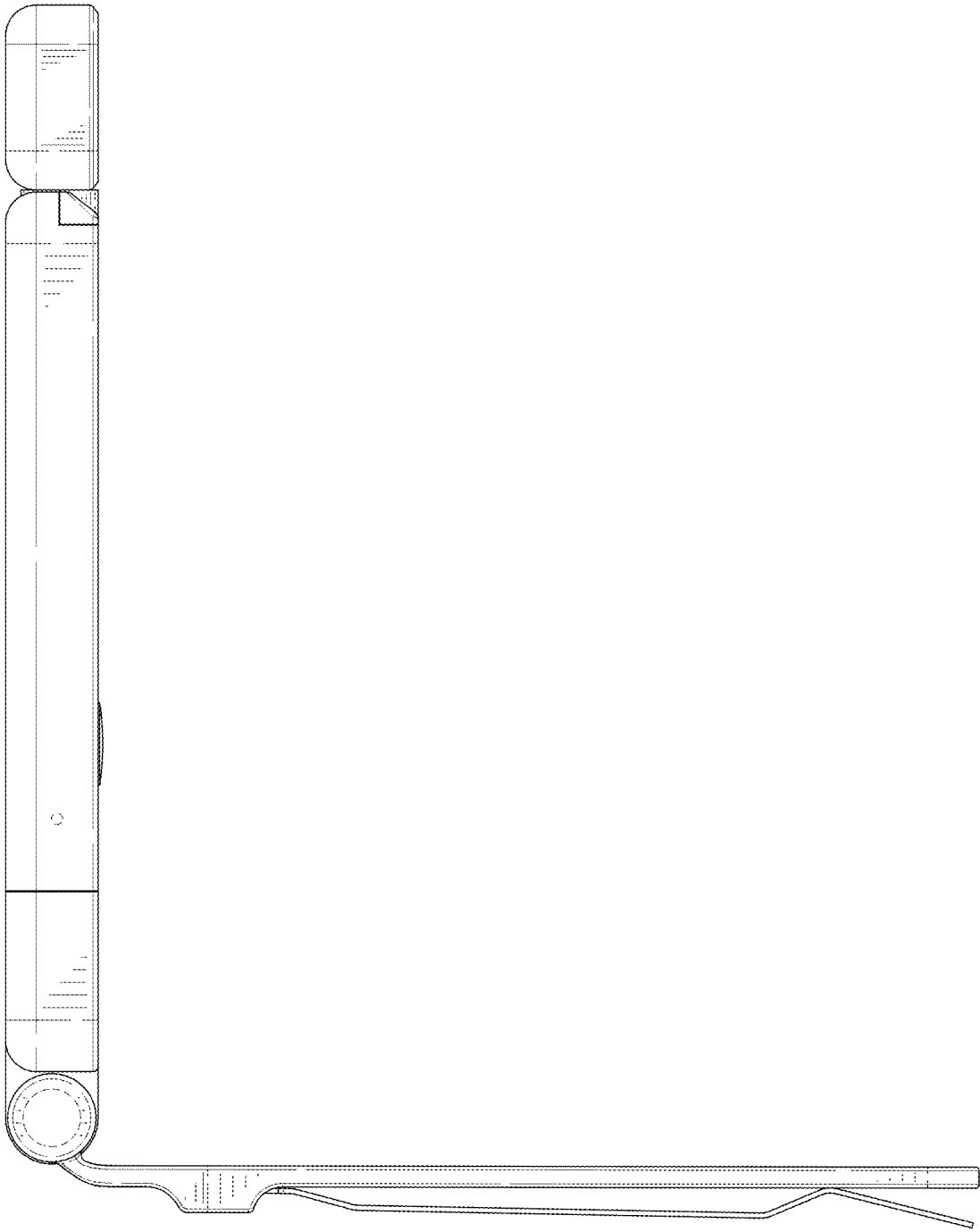


FIG. 5

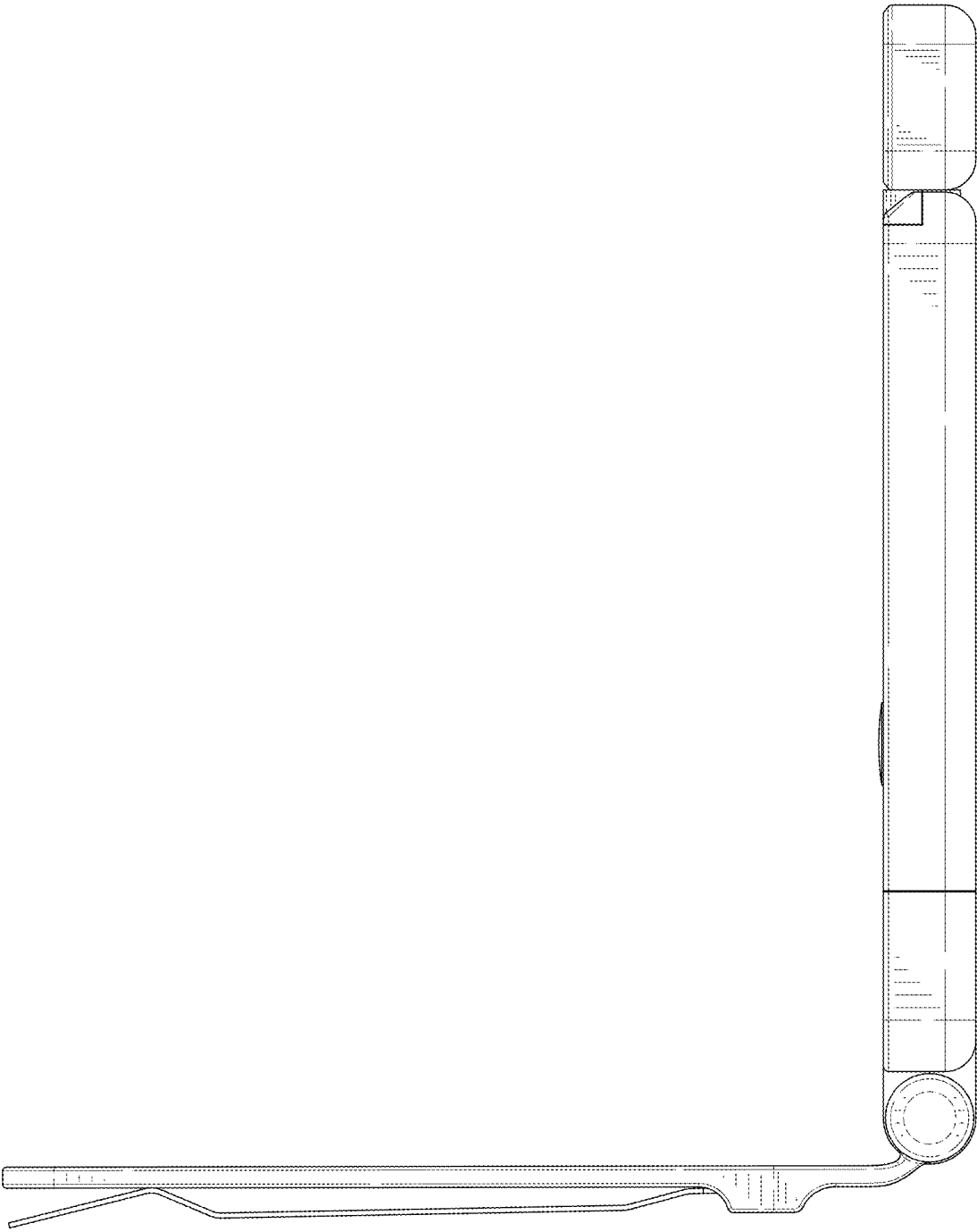


FIG. 6

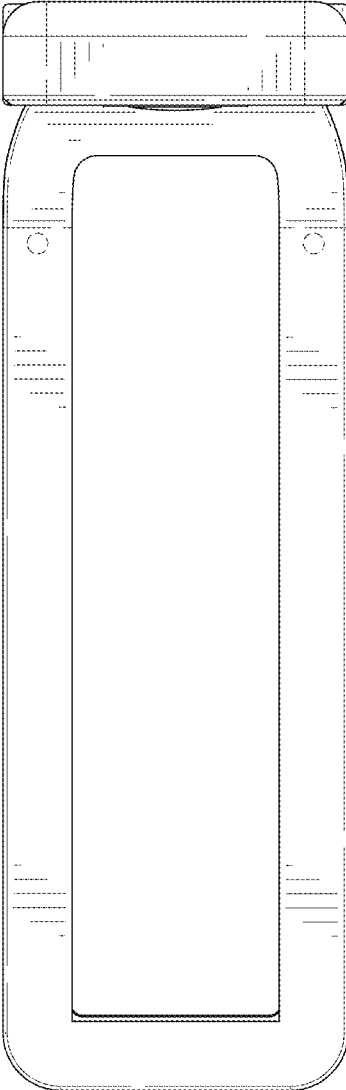


FIG. 7

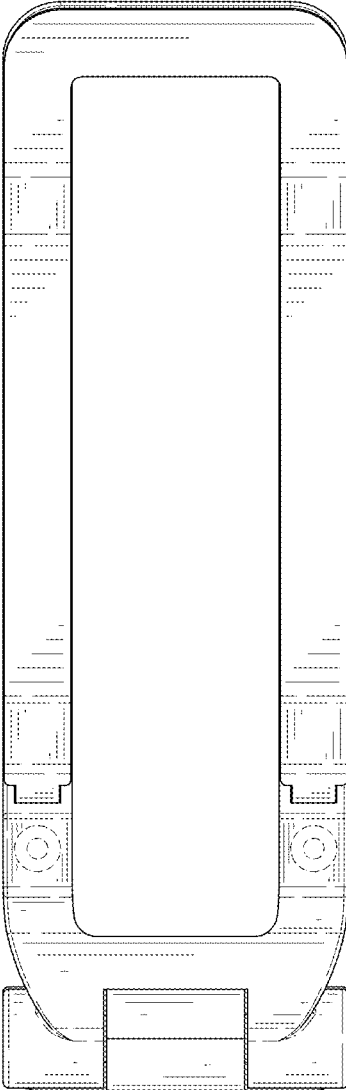


FIG. 8

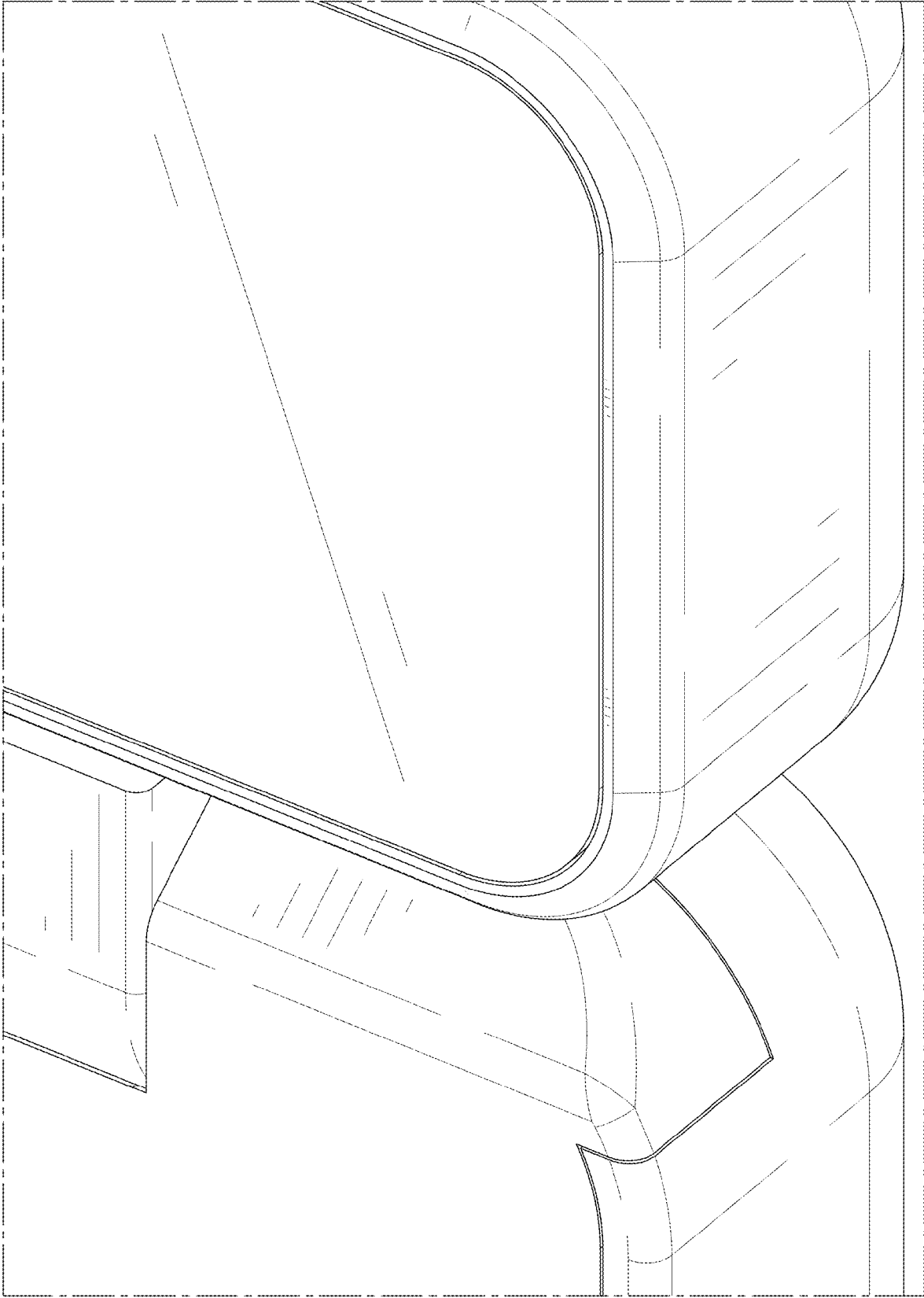


FIG. 9

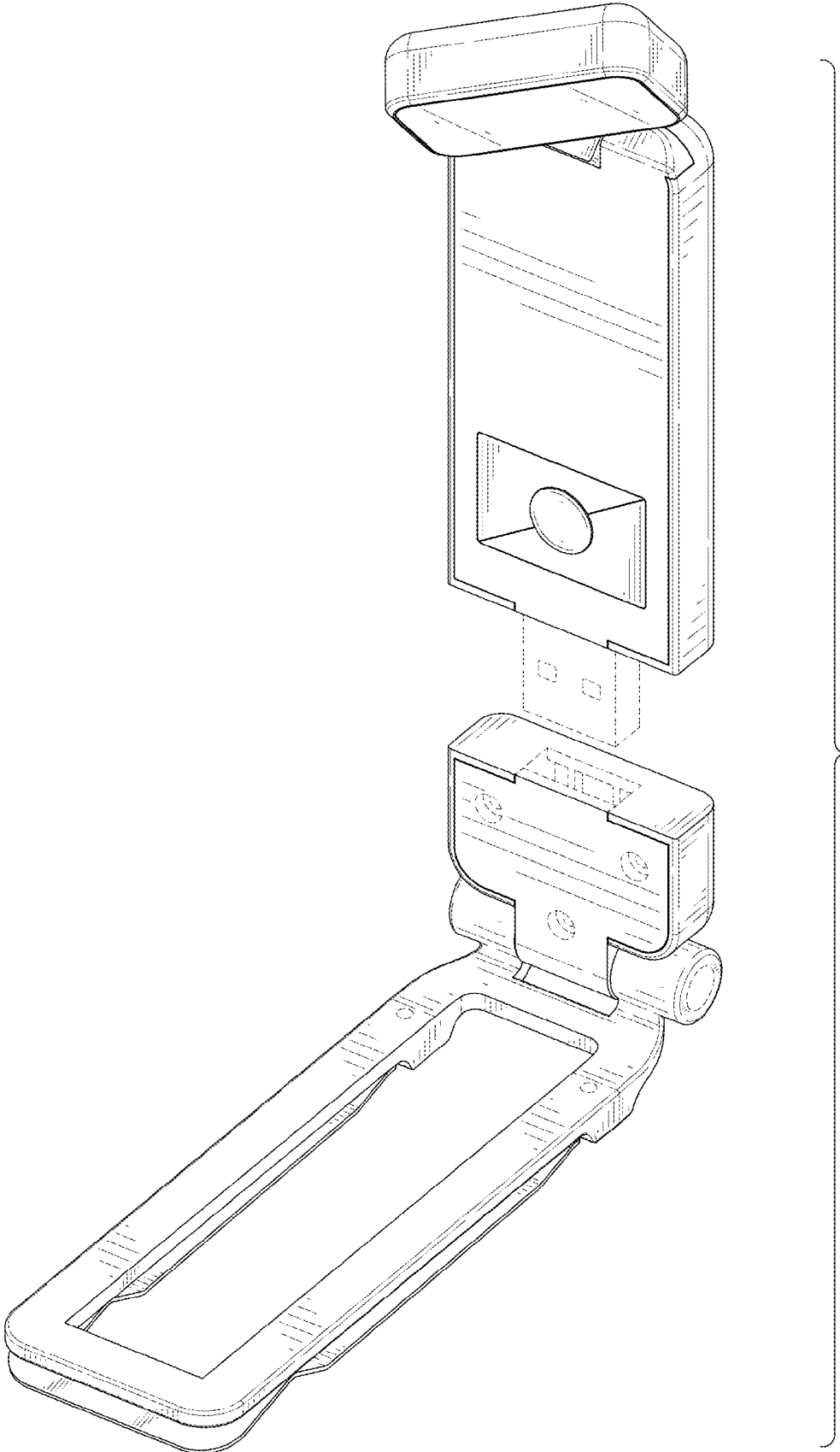


FIG. 10

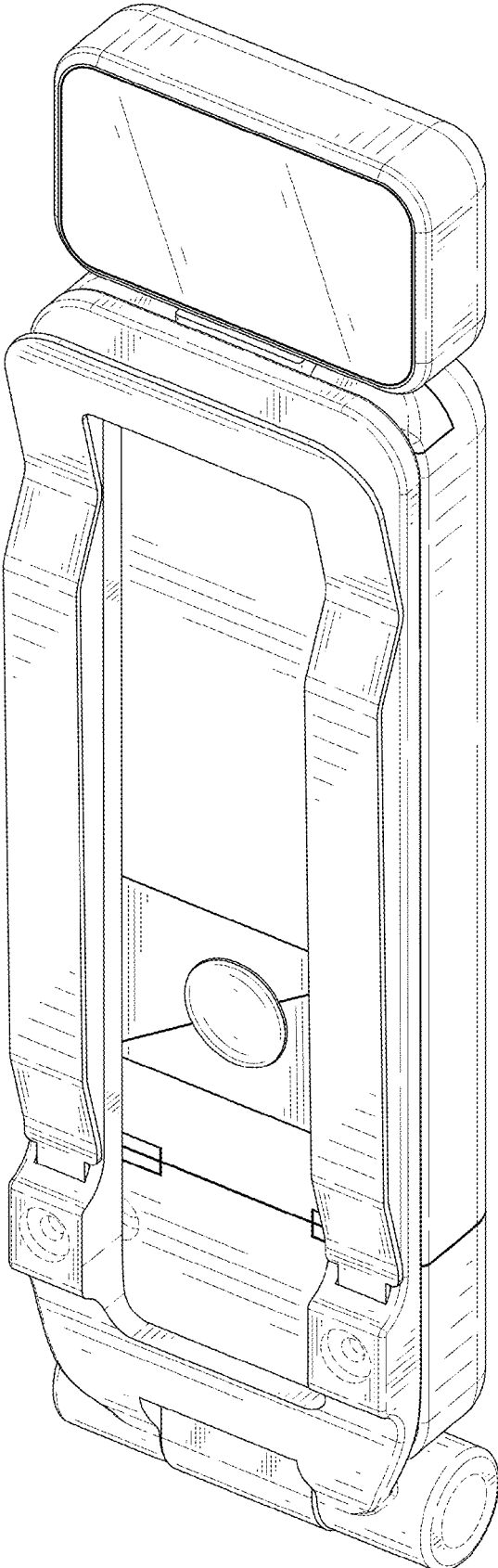


FIG. 11