



(22) Date de dépôt/Filing Date: 2002/01/24

(41) Mise à la disp. pub./Open to Public Insp.: 2002/08/09

(30) Priorités/Priorities: 2001/02/09 (60/267,489) US;
2002/01/03 (10/033,800) US

(51) Cl.Int.⁷/Int.Cl.⁷ C11C 5/00

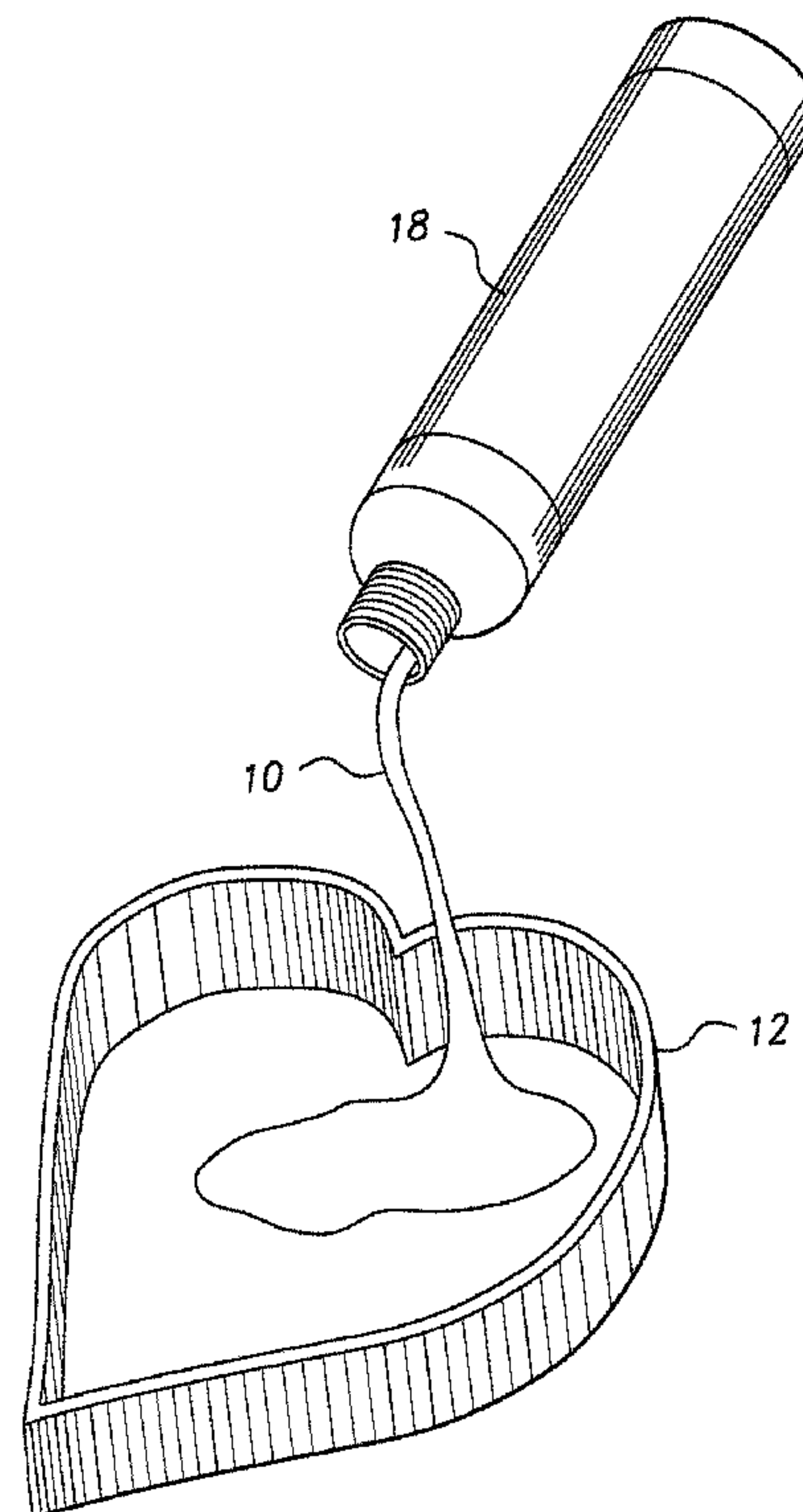
(71) Demandeurs/Applicants:
RASMUSSEN, JOHNA L., US;
JOHNS, LESLIE ANN, US

(72) Inventeurs/Inventors:
RASMUSSEN, JOHNA L., US;
JOHNS, LESLIE ANN, US

(74) Agent: MCFADDEN, FINCHAM

(54) Titre : CREME A BOUGIE CHATOYANTE

(54) Title: SHIMMERING CANDLE CREAM



(57) Abrégé/Abstract:

A candle composition in creamy liquid form spreads evenly to assume the shape and size of any candle-safe container. The composition hardens after being heated by a wick and subsequently cooled after the wick is extinguished.



ABSTRACT OF THE DISCLOSURE

A candle composition in creamy liquid form spreads evenly to assume the shape and size of any candle-safe container. The composition hardens after being heated by a wick and subsequently
5 cooled after the wick is extinguished.

SHIMMERING CANDLE CREAM**BACKGROUND OF THE INVENTION****1. FIELD OF THE INVENTION**

The present invention relates to illuminating devices. More specifically, the present invention is drawn to a kit and method for making a candle.

2. DESCRIPTION OF RELATED ART

Before Edison perfected the incandescent light bulb, candles were necessary to produce needed light. Candles manufactured in the pre-Edison era were usually of utilitarian design. The candles were made of tallow (animal fat) or beeswax and, when lit, produced unpleasant odors and a fair amount of smoke. Today, in the post-Edison era, candles are viewed as decorative items which contribute to the "feng shui" (aesthetic quality) of the immediate environment. Candle lovers sustain an industry dedicated to fabricating candles in a vast array of shapes, sizes, colors and scents. In spite of this varied array, often a candle lover may desire a candle of a particular shape, color and/or scent that is not available. Or, perhaps the candle lover may want to reproduce a favorite shape in a different color. Further, many of the candles made today are made from paraffin and are prone to produce unpleasant smoke and odors when lit. A kit that would permit a user to easily and efficiently produce a candle using a pourable

cream to create the exact desired candle configuration and scent would certainly be an advancement in the art.

The prior art is replete with patented candle structures and methods for making the same. Examples of the above are disclosed in U.S. Patents numbers 21,706 (Tatum), 1,954,659 (Will) and 1,958,462 (Baumer). The instant patents do not contemplate using a pourable cream or tailoring the scent of the candle.

U.S. Patent number 3,385,649 (Hicks) discloses a kit for making a candle. The patentee contemplates the use of solid granules which must be melted before the candle can be formed.

U.S. Patent number 3,819,342 (Gunderman et al.) discloses a composition for making a transparent candle. There is no disclosure which would allow a user to determine candle configuration.

U.S. Patent number 5,843,194 (Spaulding) discloses a candle made from a pourable gel. The gel does not comprise vegetable-derived material.

U.S. Patent number 6,019,804 (Requejo et al.) shows a process for making a compression molded candle. This process is not designed to be employed by the individual candle user.

U.S. Patent number 6,063,144 (Calzada et al.) discloses a candle made of non-paraffin material. The candle material is solid at room temperature and there is no contemplation for providing a kit for individual use.

British Patent 2590 discloses an illuminant for use in lamps which will be in liquid form when the lamp is in use and which will solidify when the lamp is extinguished. No provision is set forth to shape the illuminant as a candle.

None of the above inventions and patents, taken either singly or in combination, is seen to disclose a method for making a candle and a kit therefor as will subsequently be described and claimed in the instant invention.

5

SUMMARY OF THE INVENTION

The present invention is a kit for fabricating a candle. The kit includes a candle composition. The candle composition is in the form of a creamy liquid. Also part of the kit is a receptacle. The candle composition is housed in the receptacle. A package of candle wicks is attached to the receptacle.

Also part of the invention is a method of making a candle. The method includes a step of providing a receptacle containing a creamy liquid candle composition. The creamy liquid composition is made solely from vegetable-derived materials. Another step is providing a container. The container has a shape, and is fabricated of candle safe materials. The next step is pouring the creamy liquid candle composition from the receptacle into the container such that the creamy liquid is evenly spread and assumes the shape of the container. At least one wick is inserted in the creamy liquid in the container. The wick is ignited to heat the creamy liquid in the container. Another step is extinguishing the wick to allow the creamy liquid to cool and solidify.

BRIEF DESCRIPTION OF THE DRAWINGS

Fig. 1 is an environmental, perspective view of a shimmering candle cream according to the present invention.

Fig. 2 is a perspective view of a candle formed by the shimmering candle cream according to the present invention.

Fig. 3 is a perspective view of a shimmering candle cream packaged in bottles according to the present invention.

5 Similar reference characters denote corresponding features consistently throughout the attached drawings.

DETAILED DESCRIPTION OF THE PREFERRED EMBODIMENT

The instant invention, dubbed "Candle Cream", is a unique and versatile addition to the competitive candle market. Candle Cream
10 may be poured into a container of any shape and size and will immediately conform to the shape of the container. Candle Cream is fabricated in a variety of colors and scents to appeal to different aesthetic tastes. A user may mix colors and/or scents to create his/her own special blend.

15 Unlike paraffin wax candles, candles made from Candle Cream burn cleanly, emitting only scents which are added thereto. A special feature of the instant invention allows Candle Cream to be stored and shipped in a fluid, creamy state. Thus, no pre-melting is required. Candle Cream remains in a fluid state in the chosen
20 container until heated. Upon cooling, subsequent to the initial heating, Candle Cream will solidify, assuming the shape of the aforementioned chosen container.

The candle composition is a fluid composition made solely from suitable vegetable-derived raw material (partially hydrogenated
25 soybean oil, soybean shortening, stearic acid, etc.) and indicated in Fig. 1 at 10. Because it is fluid, candle composition 10 will spread evenly when poured into a candle-safe container 12. This

unique feature allows the composition to assume the shape of any desired, suitable container thereby allowing a user to determine the shape and size of the candle. Though of heart-shaped configuration, it is emphasized that container 12 may be of any desired shape or size. Composition 10 remains in a fluid state until heated. After being initially heated, the upper surface of composition 10 will solidify or harden when cooled and retain the shape of its container. Fig. 2 illustrates candle composition 10 after disposition in container 12. Wicks 16 are provided to light the candle as is conventional in the art. Initially lighting wicks 16 will provide the heat which allows the composition to subsequently harden. Wicks 16 are fabricated from materials that contain no lead, zinc or tin. Composition 10 and wick 16 create a candle which is biodegradable, water soluble, cleaner burning and safer than the popular paraffin based candles. Furthermore, tests have shown that the candle of the instant invention burns thirty to fifty percent longer than comparable paraffin based candles. To further enhance the uniqueness of the invention, fine fragrance oils may be added to composition 10 so that pleasing aromas will be emitted when the candles made therefrom are lit. Glitter producing elements may also be added to the composition to add visual excitement.

As presently contemplated, Candle Cream may be packaged in receptacles 18 which may be colored to match the color of the particular Candle Cream. Also, receptacles 18 will be labeled to indicate the scent of the Candle Cream. A supply of wicks 20 will be separately packaged and attached to a respective receptacle 18.

The preferred embodiments of the invention provide a package of materials which will enable an individual to fashion custom-made

candles. The package of materials enables an individual to fashion candles in any desired shape. The package of materials enable an individual to fashion candles which will, when lit, emit a desired aroma. An individual will be able to fashion candles which are
5 safe and environmentally friendly.

It is to be understood that the present invention is not limited to the sole embodiments described above, but encompasses any and all embodiments within the scope of the following claims.

CLAIMS

The embodiments of the invention in which an exclusive property or privilege is claimed are defined as follows:

1. A kit for fabricating a candle comprising:

5 a candle composition, said candle composition being in the form of a creamy liquid;

a receptacle, said candle composition being housed in said receptacle;

10 a package of candle wicks, said package of wicks attached to said receptacle.

2. A kit for fabricating a candle as recited in claim 1, wherein said creamy liquid is made solely from vegetable-derived materials.

15 3. A kit for fabricating a candle as recited in claim 2, wherein said creamy liquid includes selected fragrance producing oils.

4. A kit for fabricating a candle as recited in claim 3, wherein said creamy liquid includes a selected coloring agent.

20 5. A kit for fabricating a candle as recited in claim 4, wherein said creamy liquid includes glitter producing agents.

6. A method of making a candle comprising the steps of:
providing a receptacle containing a creamy liquid candle
composition, said creamy liquid composition being made solely from
vegetable-derived materials;

5 providing a container, said container having a shape and being
fabricated of candle safe materials;

pouring said creamy liquid candle composition from said
receptacle into said container such that said creamy liquid is
evenly spread and assumes the shape of said container;

10 inserting a least one wick in said creamy liquid in said
container;

igniting said wick to heat said creamy liquid in said
container;

15 extinguishing said wick to allow said creamy liquid to cool
and solidify.

7. A method of making a candle as recited in claim 6,
including the step of adding selected fragrance producing oils to
said creamy liquid.

20 8. A method of making a candle as recited in claim 7,
including the step of adding selected a selected coloring agent to
said creamy liquid.

9. A method of making a candle as recited in claim 8,
including the step of adding selected glitter producing agents to
said creamy liquid.

1/3

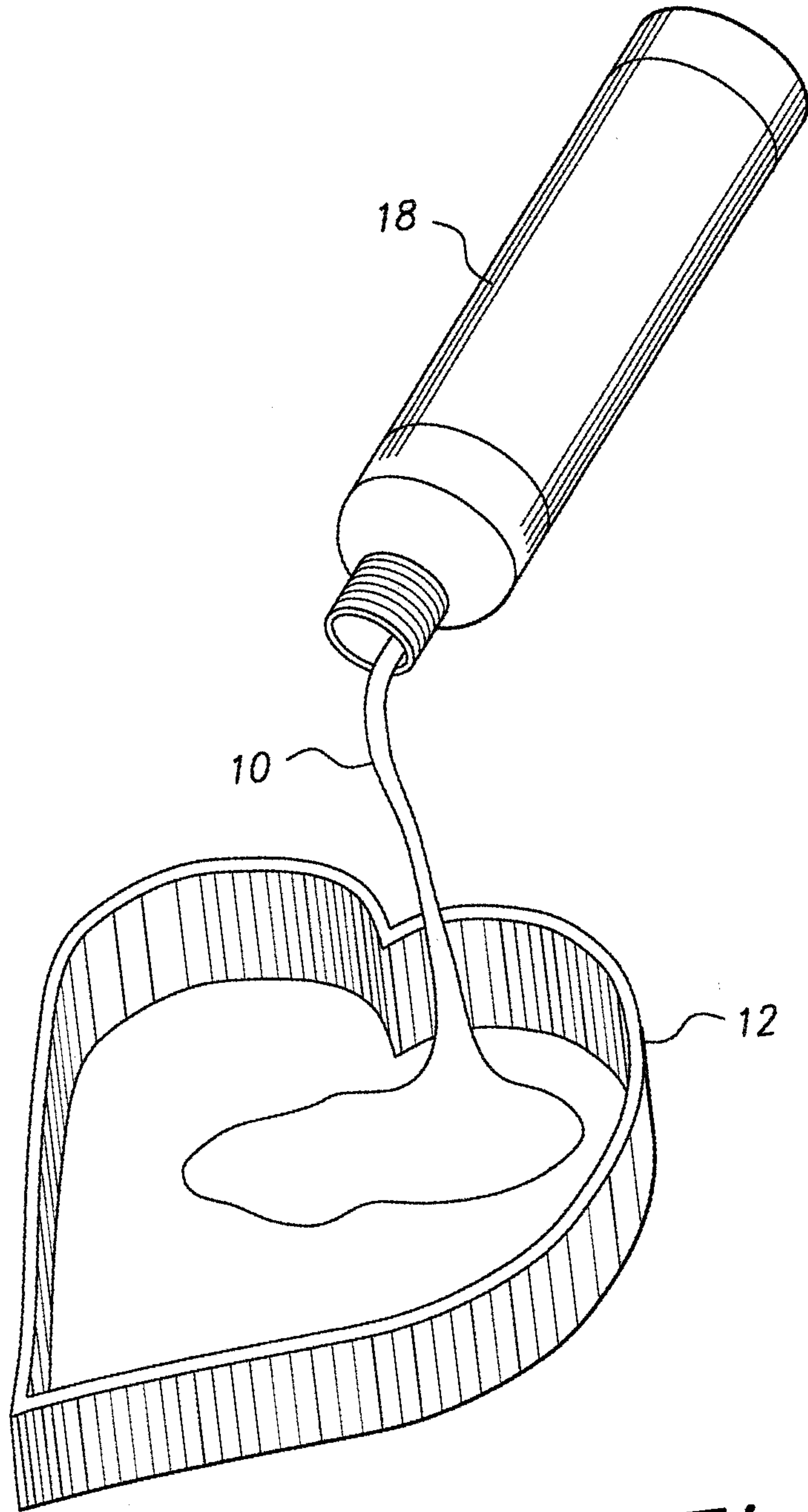


Fig. 1

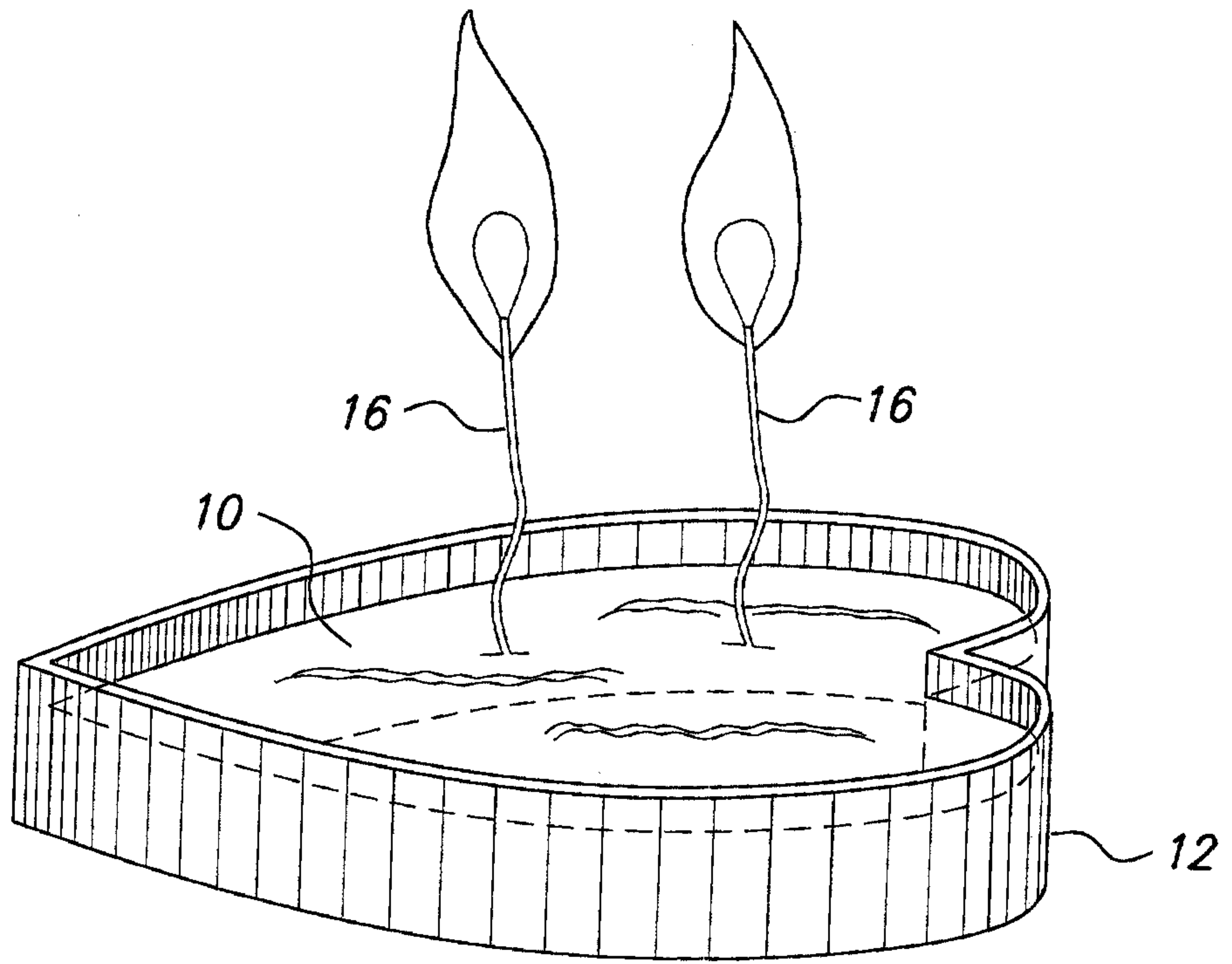


Fig. 2

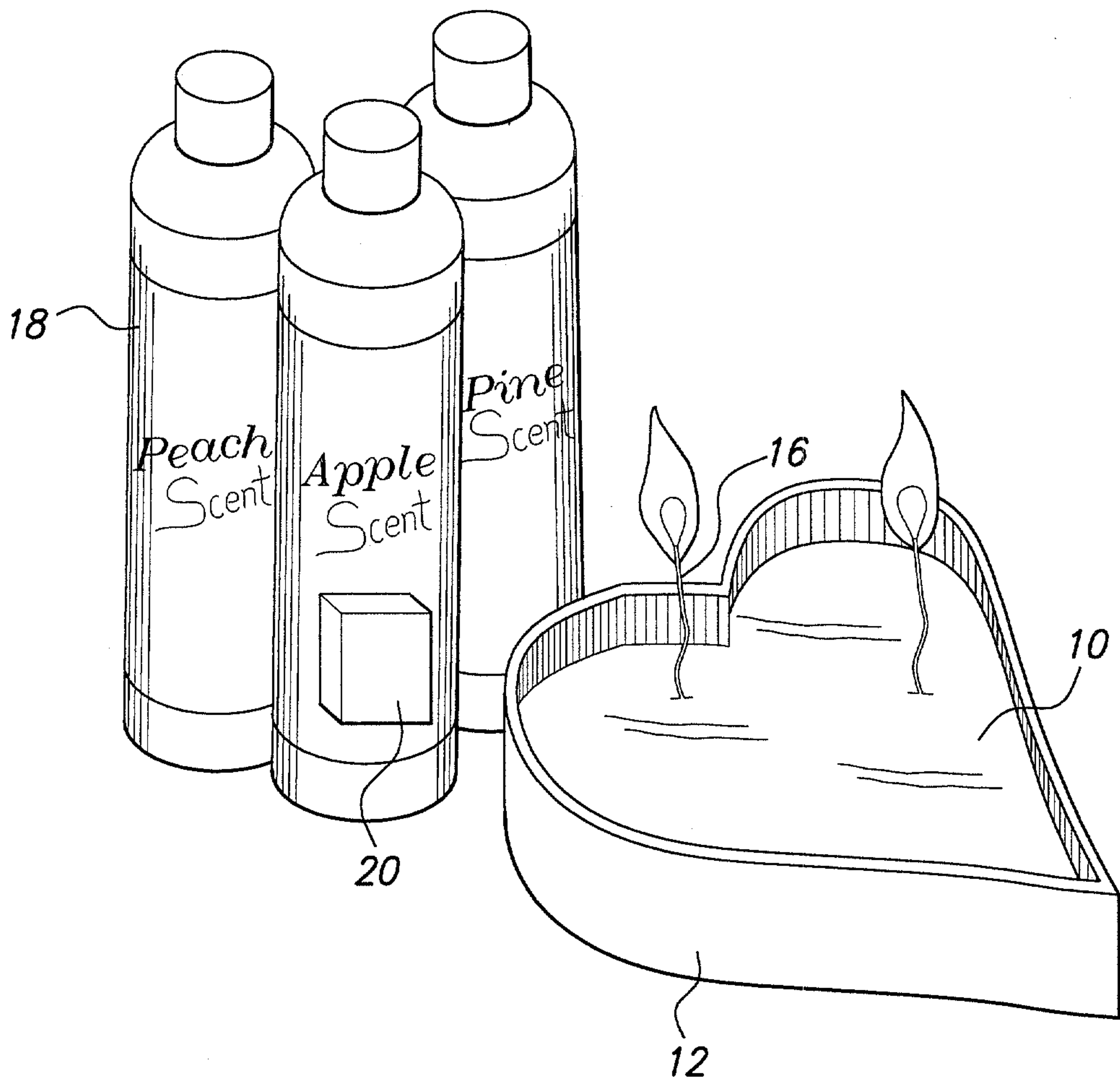


Fig. 3

