

(19) World Intellectual Property Organization
International Bureau



(43) International Publication Date
4 January 2007 (04.01.2007)

PCT

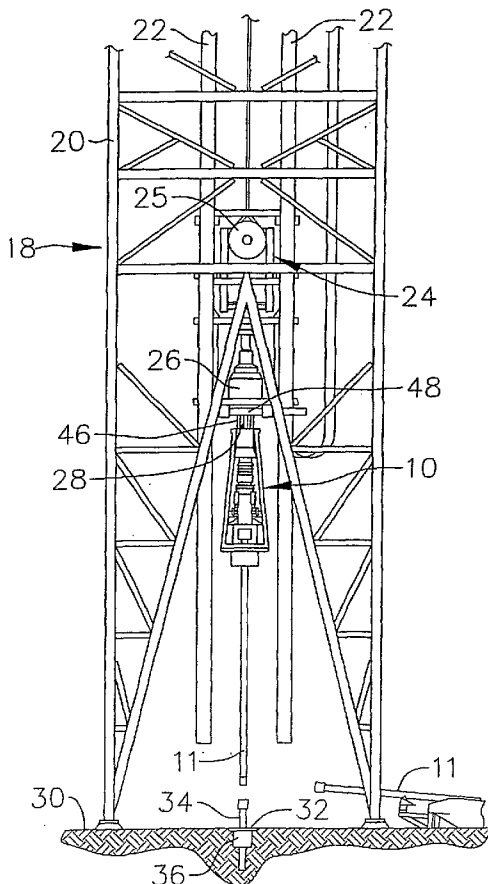
(10) International Publication Number
WO 2007/001793 A3

- (51) International Patent Classification:
E21B 19/22 (2006.01) *E21B 19/08* (2006.01)
- (21) International Application Number:
PCT/US2006/022438
- (22) International Filing Date: 7 June 2006 (07.06.2006)
- (25) Filing Language: English
- (26) Publication Language: English
- (30) Priority Data:
11/165,661 24 June 2005 (24.06.2005) US
- (71) Applicant (for all designated States except US): **VARCO I/P, INC.** [US/US]; 743 North Eckhoff Street, Orange, CA 92868 (US).
- (72) Inventor: **EIDEM, Brian, L.** (deceased).
- (72) Inventors; and
- (75) Inventors/Applicants (for US only): **JUHASZ, Daniel** [US/US]; 5351 Duncannon Avenue, Westminster, CA 95683 (US). **BOYADJIEFF, George** [US/US]; 18772 Colony Circle, Villa Park, CA 92861 (US). **MASON,**

- David** [US/US]; 359 S. Avenida Margarita, Anaheim Hills, CA 92807 (US). **VAN RIJZINGEN, Hans** [NL/NL]; Nijverheidsweg 45, NL-7849 Ap Etten-leur (NL). **KAMPHORST, Herman, M.** [NL/NL]; Zuidhaege 22, NL-9401 Nz Assen (NL). **BOTTGER, Hans, Joachim Dietrich** [DE/NL]; Vogelzan 2275, NL-1788 Gd Den Helder (NL). **VAN WEICHEM, Gustaff, Louis** [NL/NL]; Karmile 7, NL-2811 Rd Reeuwijk (NL). **KRIJNEN, Anton** [NL/NL]; Markdijk 5, NL-4792 SJ Klundert (NL).
- (74) Agent: **PECK, John, W.**; CHRISTIE, PARKER & HALE, LLP, P.O. Box 7068, Pasadena, CA 91109-7068 (US).
- (81) Designated States (unless otherwise indicated, for every kind of national protection available): AE, AG, AL, AM, AT, AU, AZ, BA, BB, BG, BR, BW, BY, BZ, CA, CH, CN, CO, CR, CU, CZ, DE, DK, DM, DZ, EC, EE, EG, ES, FI, GB, GD, GE, GH, GM, HR, HU, ID, IL, IN, IS, JP, KE, KG, KM, KN, KP, KR, KZ, LC, LK, LR, LS, LT, LU, LV, LY, MA, MD, MG, MK, MN, MW, MX, MZ, NA, NG, NI, NO, NZ, OM, PG, PH, PL, PT, RO, RS, RU, SC, SD, SE,

[Continued on next page]

(54) Title: PIPE RUNNING TOOL HAVING A PRIMARY LOAD PATH



(57) Abstract: A system for coupling a pipe segment to a pipe string is provided that includes a top drive assembly having a threaded output shaft; and a pipe running tool threadingly coupled to the threaded output shaft of the top drive assembly such that the primary load of the pipe running tool is supported by the threads of the output shaft of the top drive assembly, and wherein the pipe running tool is rotatable by the output shaft and further includes a pipe engaging portion for grippingly engaging the pipe segment sufficient to transmit a torque from the top drive output shaft to the pipe segment.

WO 2007/001793 A3



SG, SK, SL, SM, SY, TJ, TM, TN, TR, TT, TZ, UA, UG,
US, UZ, VC, VN, ZA, ZM, ZW.

(84) Designated States (*unless otherwise indicated, for every kind of regional protection available*): ARIPO (BW, GH, GM, KE, LS, MW, MZ, NA, SD, SL, SZ, TZ, UG, ZM, ZW), Eurasian (AM, AZ, BY, KG, KZ, MD, RU, TJ, TM), European (AT, BE, BG, CH, CY, CZ, DE, DK, EE, ES, FI, FR, GB, GR, HU, IE, IS, IT, LT, LU, LV, MC, NL, PL, PT, RO, SE, SI, SK, TR), OAPI (BF, BJ, CF, CG, CI, CM, GA, GN, GQ, GW, ML, MR, NE, SN, TD, TG).

Published:

- *with international search report*
- *before the expiration of the time limit for amending the claims and to be republished in the event of receipt of amendments*

(88) Date of publication of the international search report:
6 December 2007

For two-letter codes and other abbreviations, refer to the "Guidance Notes on Codes and Abbreviations" appearing at the beginning of each regular issue of the PCT Gazette.

INTERNATIONAL SEARCH REPORT

International application No.

PCT/US06/22438

A. CLASSIFICATION OF SUBJECT MATTER
 IPC: **E21B 19/22(2006.01);E21B 19/08(2006.01)**

USPC: 166/77.1,85.1,90.1
 According to International Patent Classification (IPC) or to both national classification and IPC

B. FIELDS SEARCHED

Minimum documentation searched (classification system followed by classification symbols)
 U.S. : 166/77.1, 77.51, 77.52, 77.53, 85.1, 90.1; 175/52, 85, 162

Documentation searched other than minimum documentation to the extent that such documents are included in the fields searched

Electronic data base consulted during the international search (name of data base and, where practicable, search terms used)
 Please See Continuation Sheet

C. DOCUMENTS CONSIDERED TO BE RELEVANT

Category *	Citation of document, with indication, where appropriate, of the relevant passages	Relevant to claim No.
X	US 6,142,545 A (PENMAN et al.) 07 November 2000 (07.11.2000), entire document.	1-3, 12 and 13
A	US 5,351,767 A (STOGNER et al.) 04 October 1994 (04.10.1994), entire document.	4-11
A	US 5,255,751 A (STOGNER) 26 October 1993 (26.10.1993), entire document.	4-11

Further documents are listed in the continuation of Box C.

See patent family annex.

* Special categories of cited documents:	"T"
"A" document defining the general state of the art which is not considered to be of particular relevance	later document published after the international filing date or priority date and not in conflict with the application but cited to understand the principle or theory underlying the invention
"E" earlier application or patent published on or after the international filing date	"X" document of particular relevance; the claimed invention cannot be considered novel or cannot be considered to involve an inventive step when the document is taken alone
"L" document which may throw doubts on priority claim(s) or which is cited to establish the publication date of another citation or other special reason (as specified)	"Y" document of particular relevance; the claimed invention cannot be considered to involve an inventive step when the document is combined with one or more other such documents, such combination being obvious to a person skilled in the art
"O" document referring to an oral disclosure, use, exhibition or other means	"&" document member of the same patent family
"P" document published prior to the international filing date but later than the priority date claimed	

Date of the actual completion of the international search
 10 September 2007 (10.09.2007)

Date of mailing of the international search report
25 SEP 2007

Name and mailing address of the ISA/US
 Mail Stop PCT, Attn: ISA/US
 Commissioner for Patents
 P.O. Box 1450
 Alexandria, Virginia 22313-1450
 Facsimile No. (571) 273-3201

Authorized officer
 William Dixon *Felicia D. Roberts*
 Telephone No. (571) 272-1600 *for*

INTERNATIONAL SEARCH REPORT

International application No.
PCT/US06/22438

Continuation of B. FIELDS SEARCHED Item 3:
EAST: US-PGPUB; USPAT; USOCR; EPO; JPO; DERWENT; IBM_TDB
Search Terms: top, drive, pipe, running, stinger, coupling, string