

(12) **United States Design Patent** (10) **Patent No.:** **US D1,047,751 S**
Zhang (45) **Date of Patent:** **** Oct. 22, 2024**

(54) **HEART NECKLACE**

(71) Applicant: **Hongqing Zhang**, Guangzhou (CN)

(72) Inventor: **Hongqing Zhang**, Guangzhou (CN)

(**) Term: **15 Years**

(21) Appl. No.: **29/828,815**

(22) Filed: **Mar. 1, 2022**

(51) **LOC (14) Cl.** **11-01**

(52) **U.S. Cl.**
 USPC **D11/81**

(58) **Field of Classification Search**
 USPC D11/1, 3-18, 34, 40, 42, 43, 75-79, 93
 CPC A44C 15/005; A44C 15/0045; A44C
 15/0055; A44C 5/00; A44C 5/02; A44C
 25/00; A44C 25/001; A44C 25/005; A44C
 25/007

See application file for complete search history.

(56) **References Cited**

U.S. PATENT DOCUMENTS

D145,273 S *	7/1946	Philippe	D11/56
D245,591 S *	8/1977	Rieger, Jr.	D11/44
D283,409 S *	4/1986	Hergert	D11/56
D369,988 S *	5/1996	Jacoby	D11/56
6,324,868 B1 *	12/2001	Chen	A44C 25/002 63/23
D455,670 S *	4/2002	Kurylo	D11/103
D507,985 S *	8/2005	Sandberg	D11/43
D511,311 S *	11/2005	Tirakian	D11/91
D512,660 S *	12/2005	Steshik	D11/81
D589,391 S *	3/2009	Sandberg	D11/86
D599,244 S *	9/2009	Momjian	D11/81
D621,292 S *	8/2010	Phillips	D11/56
D628,934 S *	12/2010	Fernandez Rives	D11/79
D657,282 S *	4/2012	dos Santos Villar Filho	D11/56
D667,335 S *	9/2012	Kothari	D11/40
D672,691 S *	12/2012	Seay	D12/125
D673,884 S *	1/2013	Seay	D12/125
D711,278 S *	8/2014	Kadri	D11/56

(Continued)

OTHER PUBLICATIONS

Jewel Zone US Simulated Ruby & White Natural Diamond Pendant, first available Feb. 7, 2017, amazon.com, [online], [site visited Sep. 27, 2023], Available from the internet URL: <https://www.amazon.com/Jewel-Zone-US-Simulated-Necklace/dp/B01N3D0U3K/> (Year: 2017).*

Primary Examiner — Richard Edgar

Assistant Examiner — Amina Rahman

(74) *Attorney, Agent, or Firm* — Jose Cherson Weissbrot

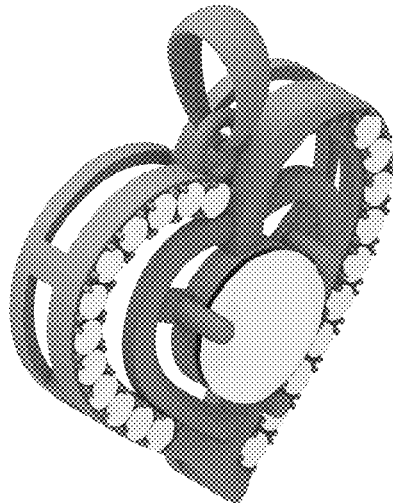
(57) **CLAIM**

The ornamental design for a heart necklace, as shown and described.

DESCRIPTION

FIG. 1 is a first perspective view of a heart necklace showing my new design;
 FIG. 2 is a second perspective view thereof;
 FIG. 3 is a front view thereof;
 FIG. 4 is a back view thereof;
 FIG. 5 is a left side view thereof;
 FIG. 6 is a right side view thereof;
 FIG. 7 is a top view thereof;
 FIG. 8 is a bottom view thereof;
 FIG. 9 is an enlarged view of the selected portion 9 in FIG. 3;
 FIG. 10 is an enlarged view of the selected portion 10 in FIG. 3;
 FIG. 11 is an enlarged view of the selected portion 11 in FIG. 3; and,
 FIG. 12 is an enlarged view of the selected portion 12 in FIG. 3.
 The dot-dash broken lines surrounding the enlarged views are for annotative purposes only and form no part thereof. The faded-out portions represent parts of the article that form no part of the claim.

1 Claim, 12 Drawing Sheets



(56)

References Cited

U.S. PATENT DOCUMENTS

D712,301	S	*	9/2014	Tipp	D11/56
D718,652	S	*	12/2014	Samanta	D11/56
D727,777	S	*	4/2015	Yatsugi-Kang	D11/56
D767,438	S	*	9/2016	Behney	D11/56
D908,526	S	*	1/2021	Molfese	D11/83
D910,482	S	*	2/2021	Pugachevskiy	D11/86
D955,290	S	*	6/2022	Burattin	D2/976
D957,284	S	*	7/2022	Feng	D11/81
D984,303	S	*	4/2023	Shi	D11/7

* cited by examiner

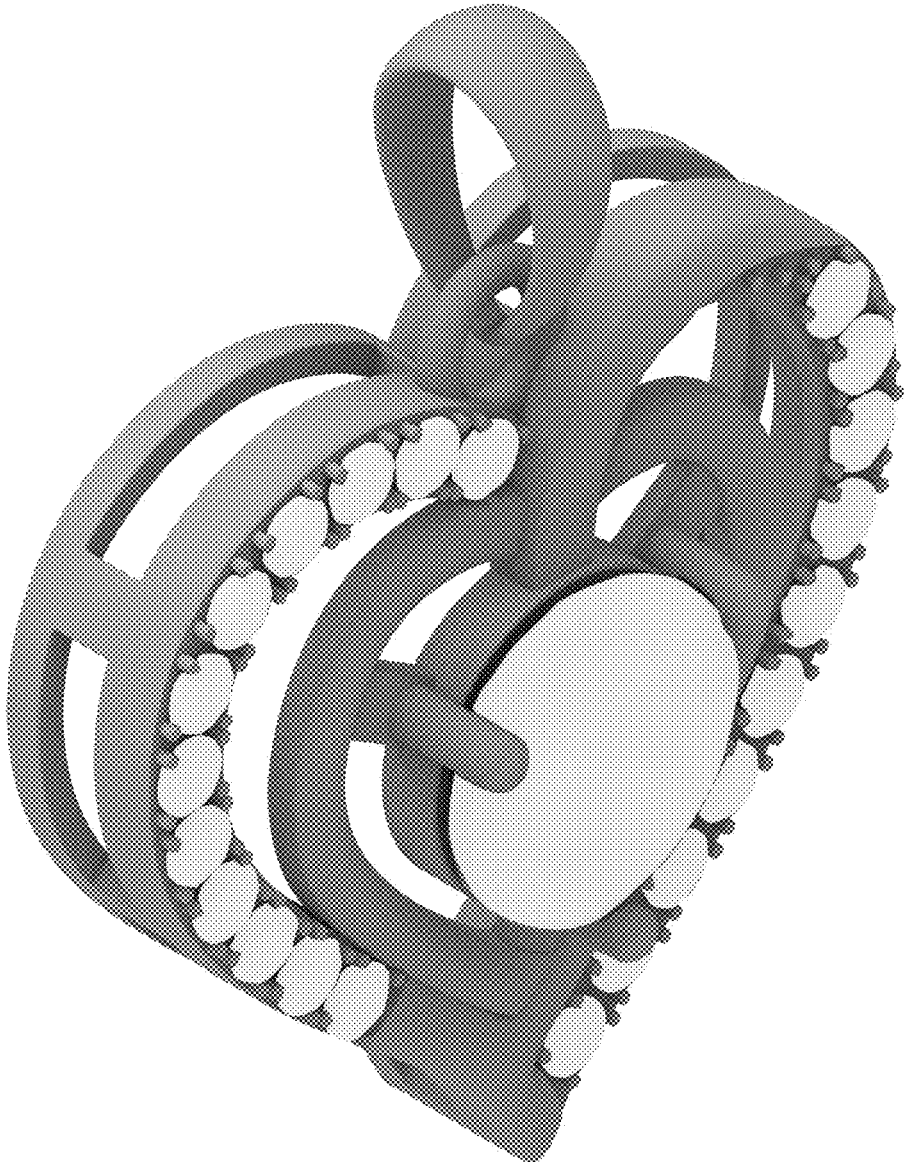


FIG. 1

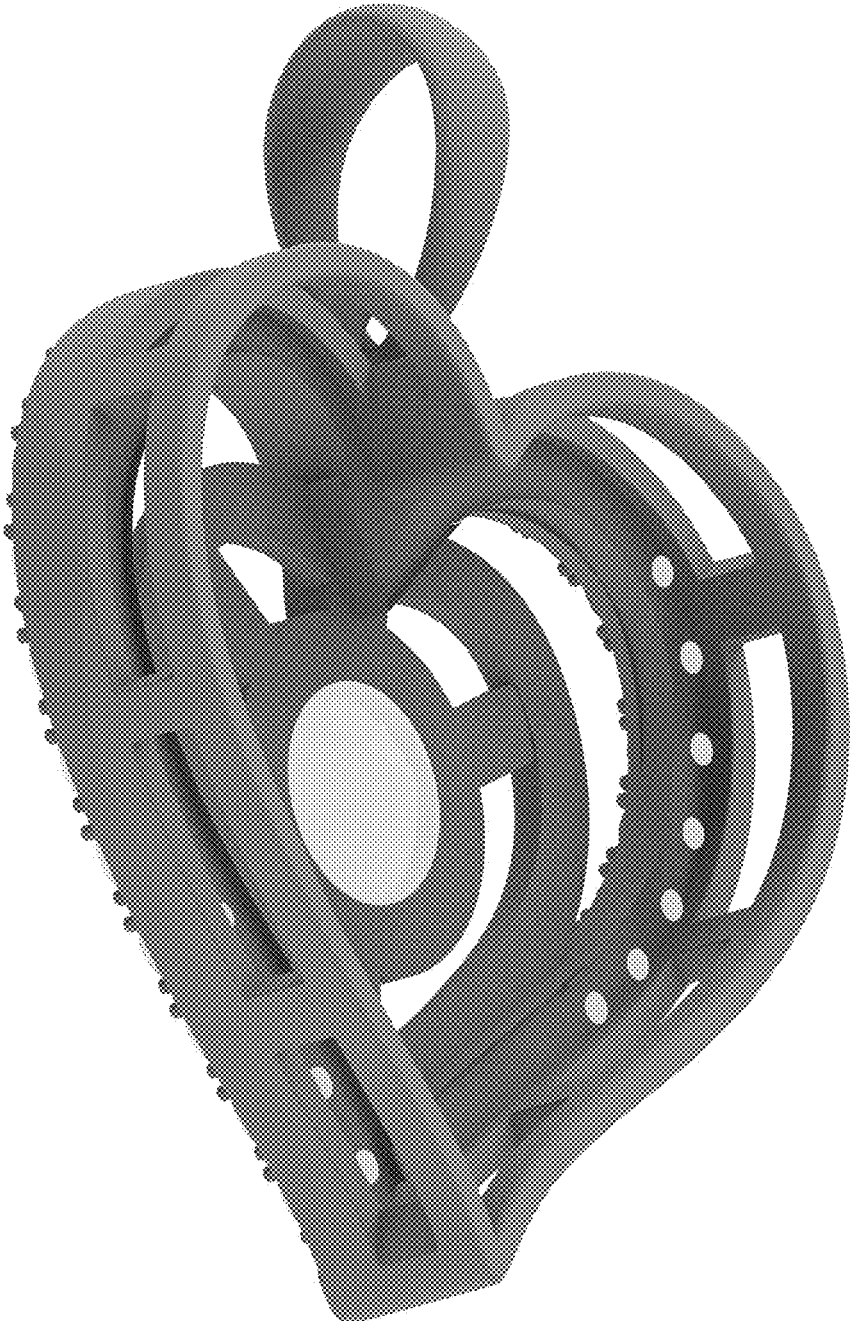


FIG. 2

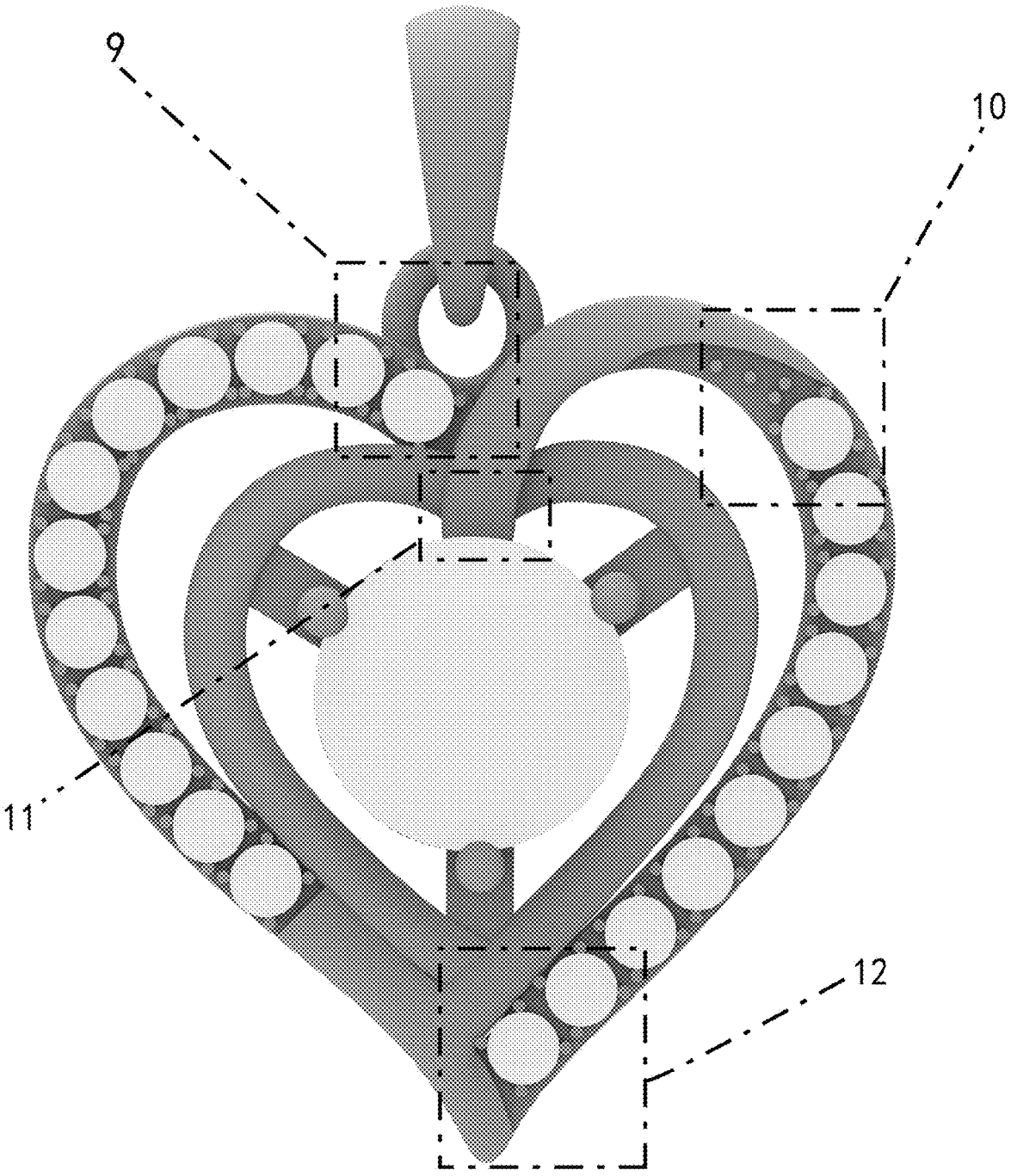


FIG. 3



FIG. 4

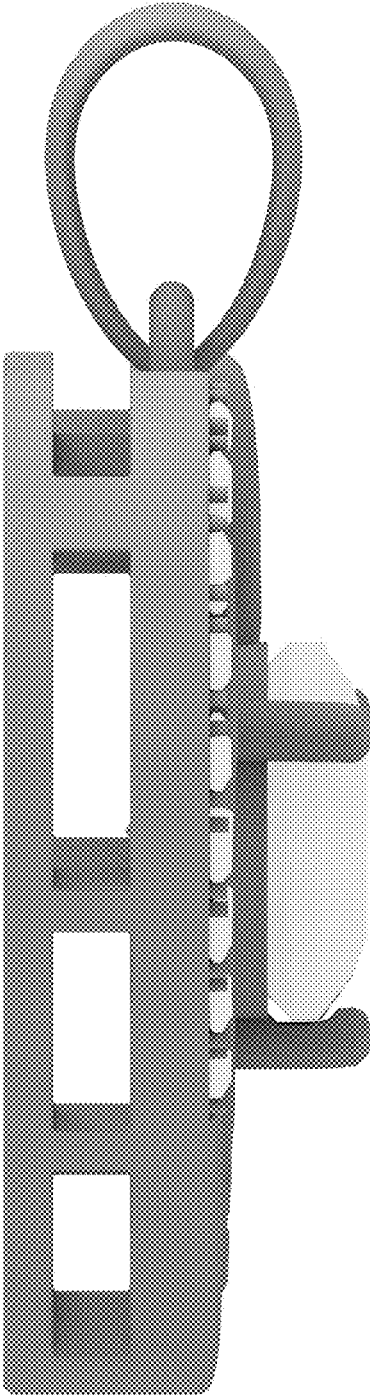


FIG. 5

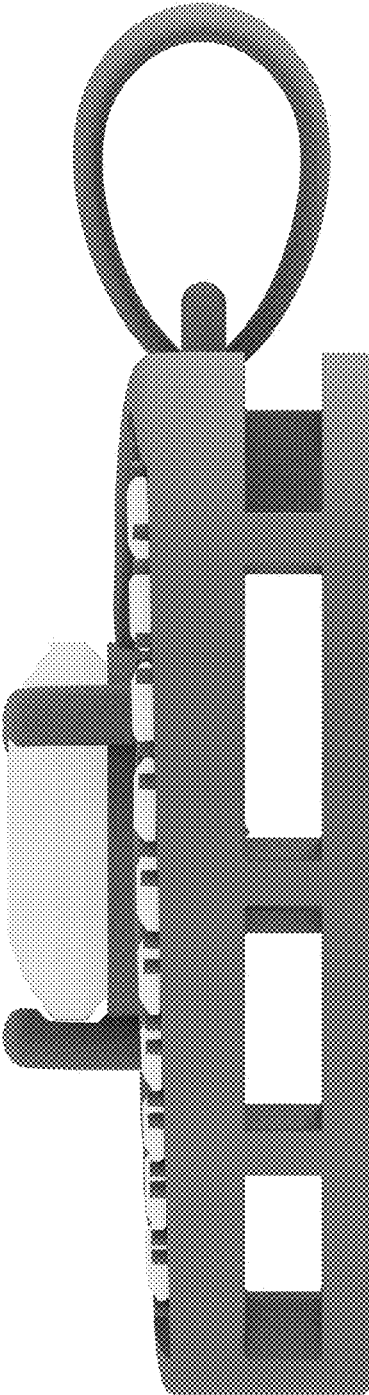


FIG. 6

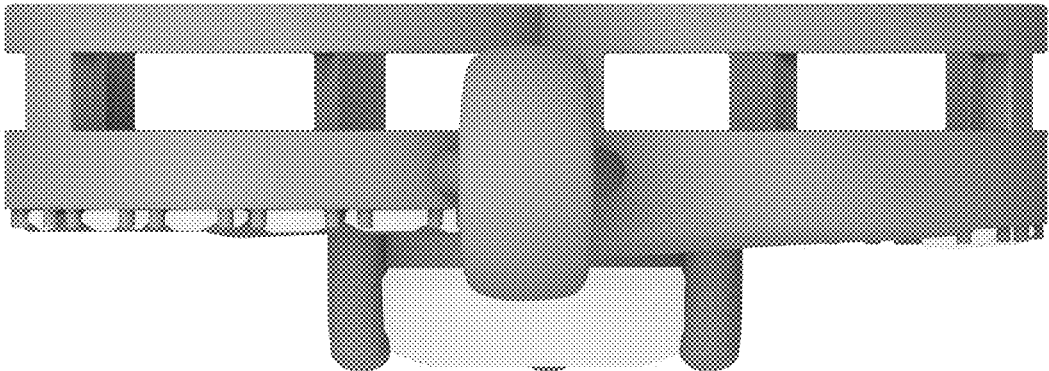


FIG. 7

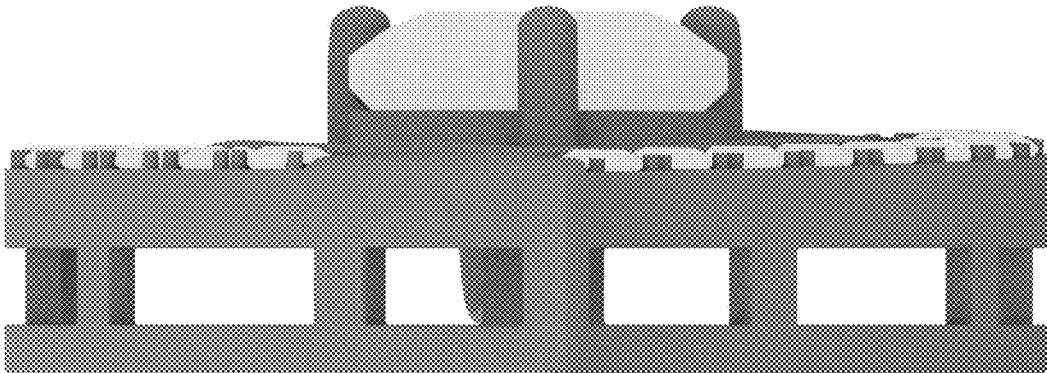


FIG. 8

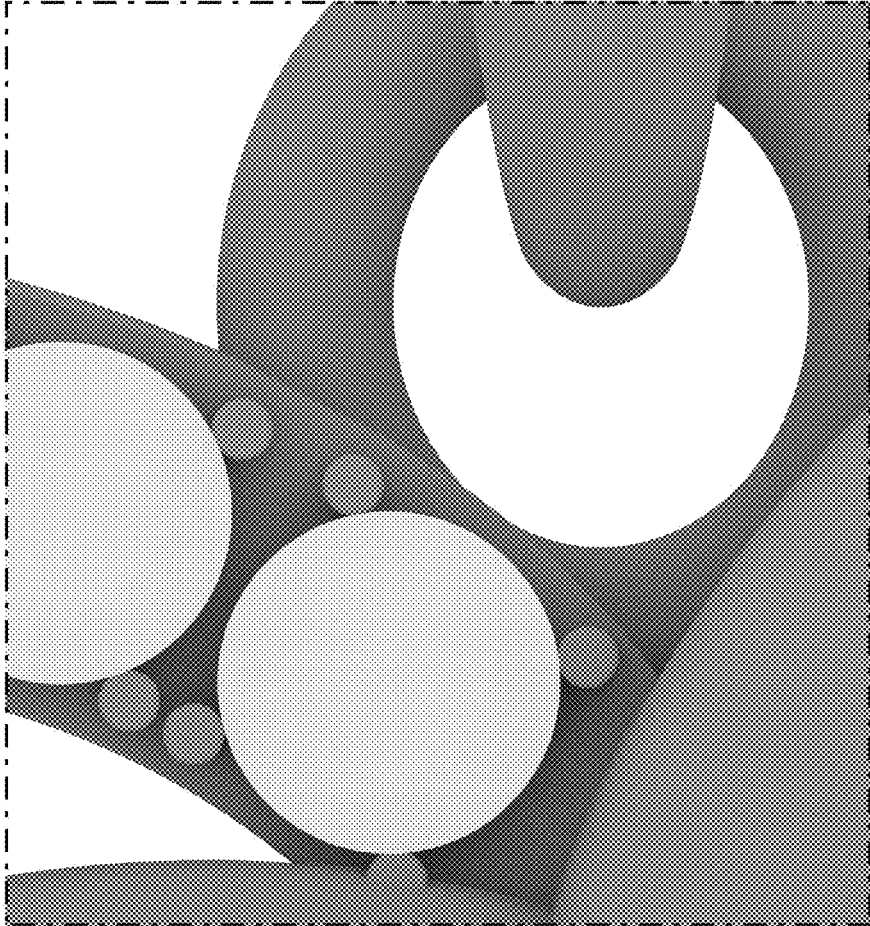


FIG. 9

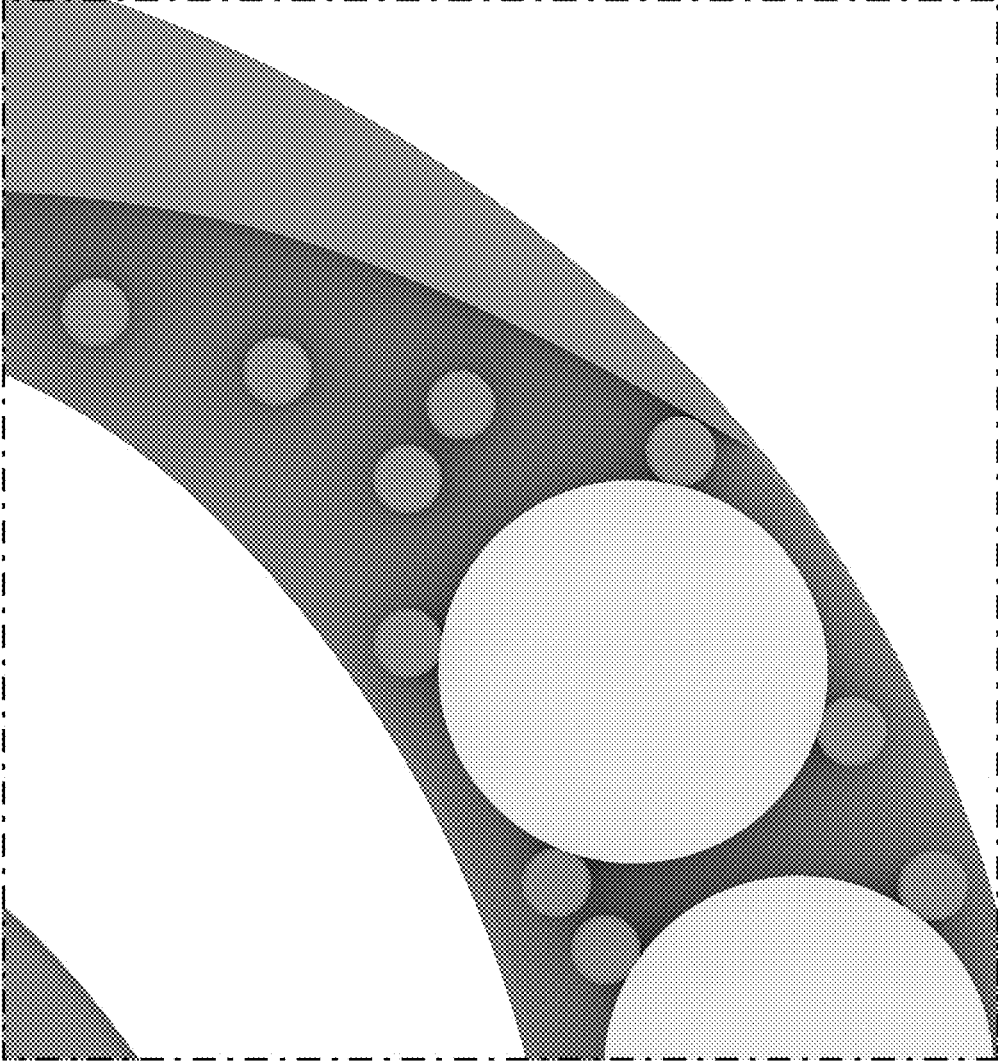


FIG. 10

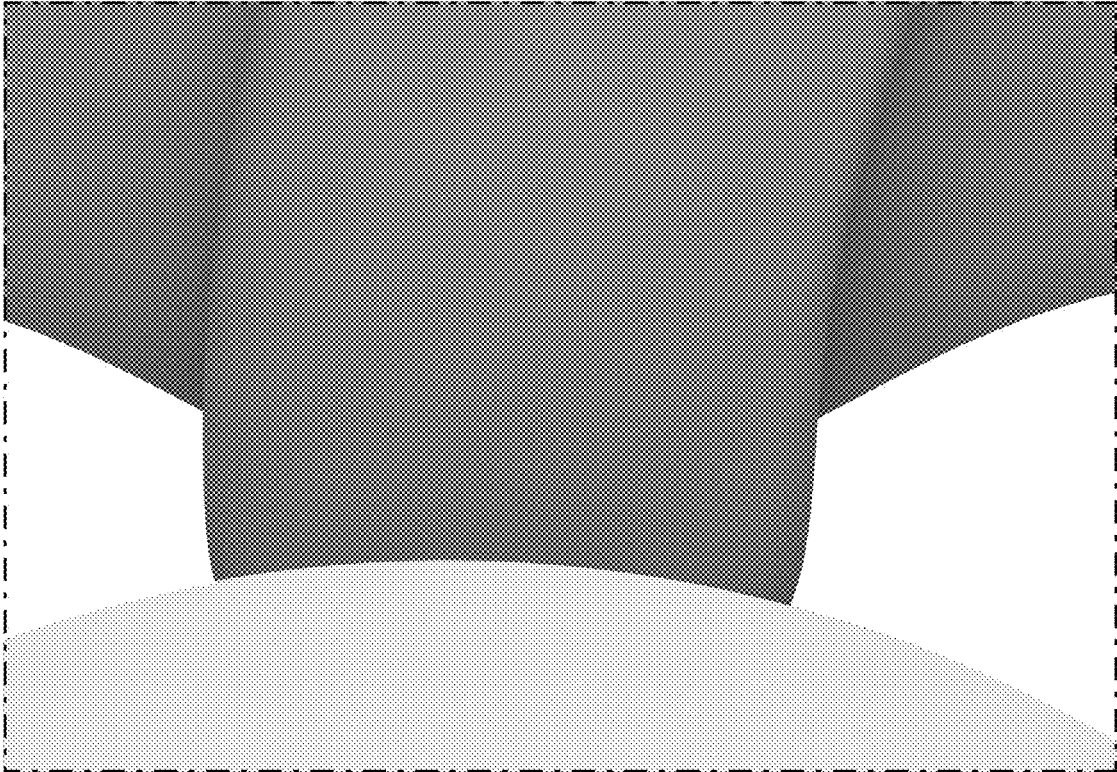


FIG. 11

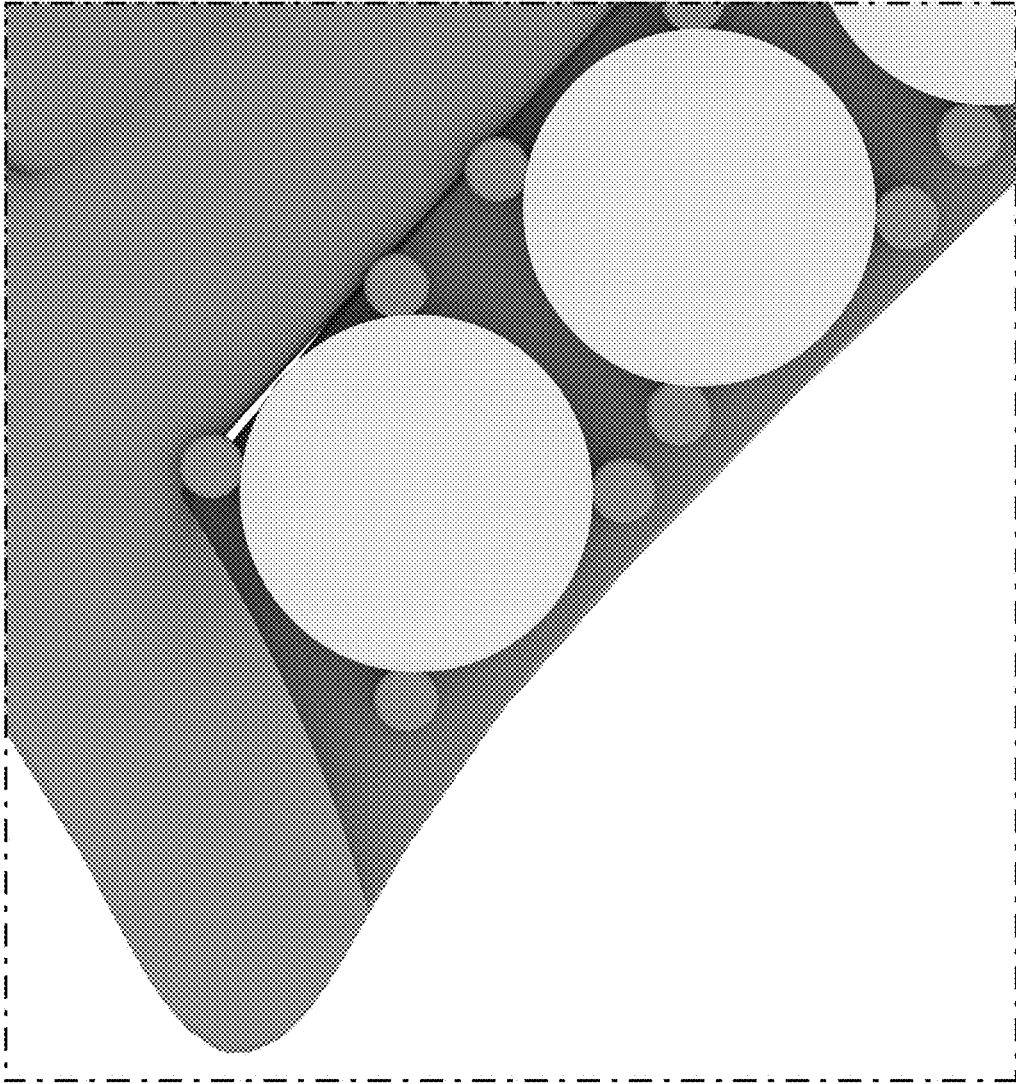


FIG. 12